

PROFESSIONAL AUDIO WORKSTATION

AW2816

SERVICE MANUAL



■ CONTENTS

DIMENSIONS	3
SPECIFICATIONS	4/8
PANEL LAYOUT	12
CIRCUIT BOARD LAYOUT	18
BLOCK DIAGRAM	20
DISASSEMBLY PROCEDURE	25
INSTALLING AN INTERNAL HARD DISK	29
INSTALLING A CD-RW DRIVE	32
INSTALLING I/O CARD	36
LSI PIN DESCRIPTION	37
IC BLOCK DIAGRAM	47
CIRCUIT BOARDS	50
TEST PROGRAM	62/70
DISPLAY MESSAGE LIST	78/82
MIDI IMPLEMENTATION CHART	86
PARTS LIST	
OVERALL CIRCUIT DIAGRAM	
SOFTWARE BLOCK DIAGRAM	

This document is printed on chlorine free (ECF) paper with soy ink.

WIRING

IMPORTANT NOTICE

This manual has been provided for the use of authorized Yamaha Retailers and their service personnel. It has been assumed that basic service procedures inherent to the industry, and more specifically Yamaha Products, are already known and understood by the users, and have therefore not been restated.

WARNING : Failure to follow appropriate service and safety procedures when servicing this product may result in personal injury, destruction of expensive components and failure of the product to perform as specified. For these reasons, we advise all Yamaha product owners that all service required should be performed by an authorized Yamaha Retailer or the appointed service representative.

IMPORTANT : This presentation or sale of this manual to any individual or firm does not constitute authorization certification, recognition of any applicable technical capabilities, or establish a principal-agent relationship of any form.

The data provided is believed to be accurate and applicable to the unit(s) indicated on the cover. The research engineering, and service departments of Yamaha are continually striving to improve Yamaha products. Modifications are, therefore, inevitable and changes in specification are subject to change without notice or obligation to retrofit. Should any discrepancy appear to exist, please contact the distributor's Service Division.

WARNING : Static discharges can destroy expensive components. Discharge any static electricity your body may have accumulated by grounding yourself to the ground bus in the unit (heavy gauge black wires connect to this bus.)

IMPORTANT : Turn the unit OFF during disassembly and parts replacement. Recheck all work before you apply power to the unit.

WARNING: CHEMICAL CONTENT NOTICE!

The solder used in the production of this product contains LEAD. In addition, other electrical/electronic and/or plastic (Where applicable) components may also contain traces of chemicals found by the California Health and Welfare Agency (and possibly other entities) to cause cancer and/or birth defects or other reproductive harm.

DO NOT PLACE SOLDER, ELECTRICAL/ELECTRONIC OR PLASTIC COMPONENTS IN YOUR MOUTH FOR ANY REASON WHATSOEVER SO EVER!

Avoid prolonged, unprotected contact between solder and your skin! When soldering, do not inhale solder fumes or expose eyes to solder/flux vapor!

If you come in contact with solder or components located inside the enclosure of this product, wash your hands before handling food.

IMPORTANT NOTICE FOR THE UNITED KINGDOM

Connecting the Plug and Cord

IMPORTANT. The wires in this main lead are coloured in accordance with the following code:
 BLUE: NEUTRAL
 BROWN: LIVE


As the colours of the wires in the main lead of this apparatus may not correspond with the coloured markings identifying the terminals in your plug, proceed as follows:

The BLUE wire must be connected to the terminal that is marked with the letter N (or coloured BLACK).

The BROWN wire must be connected to the terminal that is marked with the letter L (or coloured RED).

Be certain that neither core is connected to the earth terminal of the three pin plug.

■ WARNING

Components having special characteristics are marked  and must be replaced with parts having specification equal to those originally installed.

LITHIUM BATTERY HANDLING

This product uses a lithium battery for memory back-up.

WARNING : Lithium batteries are dangerous because they can be exploded by improper handling. Observe the following precautions when handling or replacing lithium batteries.

- Leave lithium battery replacement to qualified service personnel.
- Always replace with batteries of the same type.
- When installing on the PC board by soldering, solder using the connection terminals provided on the battery cells.
- Never solder directly to the cells. Perform the soldering as quickly as possible.
- Never reverse the battery polarities when installing.
- Do not short the batteries.
- Do not attempt to recharge these batteries.
- Do not disassemble the batteries.
- Never heat batteries or throw them into fire.

ADVARSEL!

Lithiumbatteri-Eksplosionsfare ved fejlagtig handling. Udskiftning ma kun ske med batteri af samme fabrikat og type. lever det brugte batteri tilbage til leverandren.

VARNING

Explosionsfara vid felaktigt batteribyte.

Anvand samma batterityp eller en ekvivalent typ som rekommenderas av apparattillverkaren.

Kassera anvant batteri enligt fabrikantens instruktion.

VAROITUS

Paristo voi rajahtaa, jos se on virheellisesti asennettu.

Vaihda paristo ainoastaan laitevalmistajan suosittelemaan tyyppiin.

Havita kaytetty paristo valmistajan ohjeiden mukaisesti.

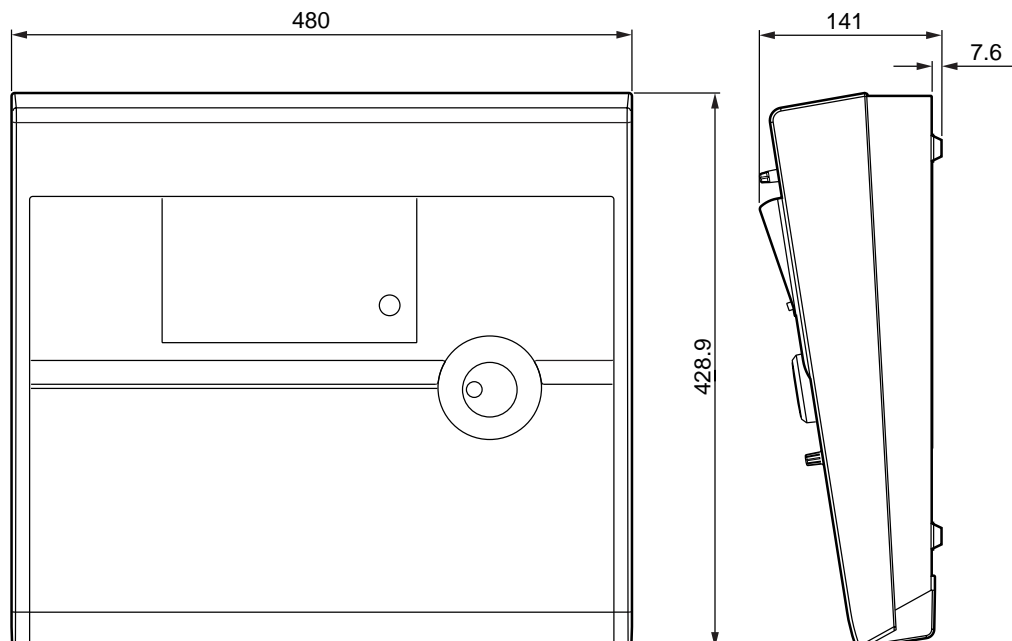
The following information complies with Dutch official Gazette 1995. 45; ESSENTIALS OF ORDER ON THE COLLECTION OF BATTERIES.

- Please refer to the disassembly procedure for the removal of Back-up Battery.
- Leest u voor het verwijderen van de backup batterij deze beschrijving.

IC with internal lithium battery
(DS12887)REAL TIME CLOCK
Part No.XV618A00
MAIN Circuit Board IC608



DIMENSIONS



■ SPECIFICATIONS

General Specifications

Frequency Response	0 +1/-3 dB 20 Hz~20 kHz (MIC/LINE IN - STEREO OUT)
Total harmonic distortion (Nominal input/Output level) 20 kHz LPF	Less than 0.02% 1 kHz (LINE IN to STEREO OUT) Less than 0.2% 1 kHz (MIC IN to STEREO OUT)
Dynamic range (Maximum level to Noise level) 20 kHz LPF, IHF-A	109 dB typ. DA converter (STEREO OUT) 103 dB min. DA converter (STEREO OUT) 104 dB typ. AD + DA (LINE IN to STEREO OUT) 98 dB min. AD + DA (LINE IN to STEREO OUT)
AD converter	24-bit linear, 64-times oversampling
DA converter	24-bit linear, 128-times oversampling
Internal processing	32-bit
Sampling frequency	Internal 44.1 kHz (±6%)/48 kHz (±6%) External 44.1 kHz (-6%) to 48 kHz (+6%)
Audio input section	max. 18 channels
MIC/LINE	8 channels
DIGITAL STEREO IN	2 channels (stereo × 1)
mini YGDAL card (option)	max. 8 channels
Audio output section	max. 20 channels
STEREO OUT	2 channels (stereo × 1)
OMNI OUT	4 channels
MONITOR OUT	2 channels (stereo × 1)
PHONES	2 channels (stereo × 1)
DIGITAL STEREO OUT	2 channels (stereo × 1)
mini YGDAL card (option)	max. 8 channels
Mixing layer section	28 channels
Input channel	8 channels
Internal effect return	4 channels (stereo × 2)
Playback	16 channels (16 track direct out playback), or stereo 2 channels (stereo track playback)
Internal effects section	
Multi-effects × 2	
Bus section	18 channels
Bus	8 channels
Aux	6 channels
Stereo	2 channels (stereo × 1)
Solo	2 channels (stereo × 1)
Recorder section	
Recording medium	2.5" IDE hard disk drive
Sound file format	AW2816 original format
Recording resolution	16-bit, 24-bit
Sampling frequency	44.1 kHz/48 kHz
Tracks	130 tracks (16 tracks × 8 virtual tracks plus stereo track)
Maximum recording time	Approx. 230 min (44.1 kHz, 16-bit, 16 tracks, 20 GB hard disk)
Power requirements	U.S.A. & Canada 110-120V 65W, 50/60 Hz Europe 220-240V 65W, 50 Hz
Dimensions (W × H × D)	480.0 × 141.0 × 428.9 mm (18.9 × 5.5 × 16.9 inches)
Weight	9.5 kg (20.9 lbs)
Operating temperature range	5° to 35° C
Options	2.5" hard disk (HDD25-20G/DARA-212000), mini YGDAL cards (MY8-AT, MY8-TD, MY8-AE, MY8-AD, MY4-AD, MY4-DA, AP8-AD, AP8-DA), Footswitch FC5, CD-RW drive

Mixer section

■ Input/output

MIC/LINE input	Channel 1, 2 (balanced, XLR-type, TRS phone jack)
+48V DC phantom powering	
PEAK LED	-3 dB (clipping level)
Input impedance	3 k Ω
Nominal input level	-46 dB to +4 dB
Minimum input level	-52 dB
Maximum input level	+22 dB
MIC/LINE input	channel 3-8 (balanced, TRS phone jack)
PEAK LED	-3 dB (clipping level)
Input impedance	3 k Ω
Nominal input level	-46 dB to +4 dB
Minimum input level	-52 dB
Maximum input level	+22 dB
MIC/LINE input (Hi-Z)	channel 8 (unbalanced, phone jack)
Input impedance	500 k Ω
Nominal input level	-46 dB to +4 dB
Minimum input level	-52 dB
Maximum input level	+20 dB
STEREO OUT	L, R (unbalanced, phono)
Output impedance	1 k Ω
Nominal load impedance	10 k Ω
Nominal output level	-10 dBV
Maximum output level	+8 dBV
MONITOR OUT	L, R (balanced, TRS phone jack)
Output impedance	150 Ω
Nominal load impedance	10 k Ω
Nominal output level	+4 dB
Maximum output level	+22 dB
OMNI OUT	1-4 (unbalanced, phone jack)
Output impedance	1 k Ω
Nominal load impedance	10 k Ω
Nominal output level	0 dB
Maximum output level	+18 dB
PHONES	(unbalanced, TRS phone jack)
Nominal load impedance	8-40 Ω
Maximum output level	100 mW + 100 mW (40 Ω load)
DIGITAL STEREO I/O	Coaxial (phono)
Option card slot	Slot \times 1
Digital I/O	MY8-AT (Adat) MY8-TD (Tascam) MY8-AE (AES/EBU)
Analog input	MY8-AD (TRS phone jack \times 8) MY4-AD (XLR-type \times 4) AP8-AD (Apogee)
Analog output	MY4-DA (XLR-type \times 4) AP8-DA (Apogee)

* 0 dB= 0.775Vrms, 0 dBV= 1.0Vrms

■ Digital mixer

Input channel (channel 1-8, playback 1-16)	Attenuator, Phase (normal, reverse), EQ (4-band PEQ), Dynamics, Delay, On/Off, Fader (60 mm motorized), Pan, Bus assign (stereo, bus, aux, solo, direct out)
Internal effects return	Attenuator, Phase (normal, reverse), EQ (4-band PEQ), Delay, On/Off, Fader (60 mm motorized), Pan, Bus assign (stereo, bus, aux, solo)
Bus	
Stereo L, R	Attenuator, EQ (4-band PEQ), Dynamics, On/Off, Fader (60 mm motorized), Balance
Bus 1-8	Attenuator
Aux 1-6	Attenuator
Solo L, R	
Fader	60 mm motorized × 9

Recorder section

■ General

Recording resolution	16-bit, 24-bit (set per song)
Sampling frequency	44.1 kHz, 48 kHz (set per song)
Maximum track of recording/ Playback simultaneously	16 Bit: 8 Tracks, Recording & 16Tracks, Playback 24 Bit: 16 Tracks, Recording + Playback
Tracks	130 tracks (16 tracks × 8 virtual tracks plus stereo track)

■ Format

File system	AW2816 original format
Internal hard disk drive	2.5" IDE
Max. hard disk capacity	64 GB/6.4 GB per 1 song
Max. songs per hard disk	Approx. 30,000 songs

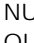
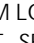

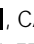




■ Edit

Song edit	Name, Comment, Delete, Copy, Optimize, Protect, Fade In/Out, Import
Track edit	Name, Erase, Copy, Exchange, Slip, Time Compression/Expansion, Pitch Change, Import, Append, Export
Part edit	Erase, Delete, Copy, Move, Insert, Time Compression/Expansion, Pitch Change, Export, Append
Region edit	Name, Erase, Delete, Copy, Move, Divide, Trim In/Out, Time Compression/Expansion, Pitch Change, Import, Export

■ Others

Locate	Direct locate: data entry search (time, measure) Quick locate: Start, End, RTZ, A/B, Last REC In/Out, Roll Back
Punch I/O	Manual Punch I/O, Auto Punch I/O

Controls

Analog section	
Input (channel 1-8)	Gain (variable)
Input (channel 1, 2)	+48V (phantom switch)
Output	Phones level, monitor out level
Mixer section	
WORK NAVIGATE buttons	SONG, FILE, CD, QUICK REC
UNIT buttons	SETUP, UTILITY, MIDI, PATCH
MIXER buttons	VIEW, PAN, EQ, DYN
FADER MODE buttons	AUX1, AUX2, AUX3, AUX4, AUX5, AUX6, REMOTE, HOME
MIXING LAYER buttons	1-8 (INPUT), 1-8 (RECORDER), 9-16 (RECORDER)
ON & SEL buttons, Faders	INPUT 1-8, RECORDER 1-8, RECORDER 9-16, STEREO
ON & SEL buttons, Encoder	RTN1, RTN2
SOLO buttons	
Function buttons	SHIFT, F1, F2, F3, F4, F5, CTRL
Recorder section	
TRACK CUE button	
METER button	
REC TRACK SELECT buttons	1, 2, 3, 4, 5, 6, 7, 8, 9, 10, 11, 12, 13, 14, 15, 16, ST, ALL SAFE
RECORDER buttons	TRACK, EDIT
Locate buttons	NUM LOC ATE,  ,  , MARK, AUTO PUNCH, IN, OUT, SET, REPEAT, A, B, ROLL BACK,  , RTZ,  , CANCEL
Transport buttons	REW, FF, STOP, PLAY, REC
Others	
AUTOMATION button	AUTOMIX, SCENE
SCENE MEMORY button	STORE, -, +, RECALL
UNDO button	
REDO button	
JOG ON button	
CURSOR button	 ,  ,  , 
DATA ENTRY button	JOG/SHUTTLE dial
Display	ENTER button 320 × 240 dots graphical LCD (with contrast control)

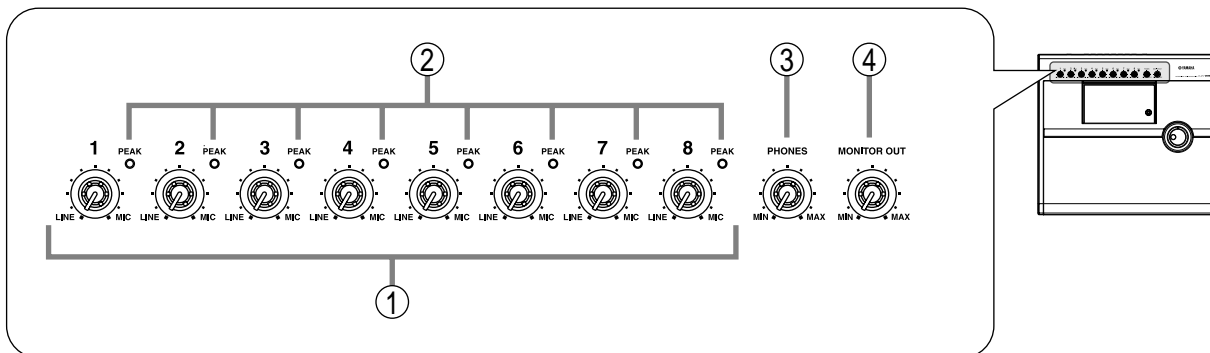
Control I/O

MIDI IN	5-pin DIN
MIDI OUT/THRU	5-pin DIN
MTC OUT	5-pin DIN
TO HOST	8-pin mini DIN
SCSI	50-pin half pitch D-Sub
Foot switch	Phone jack

■ PANEL LAYOUT

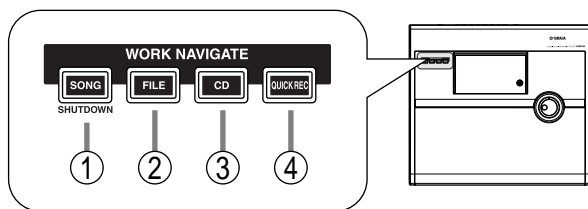
• Top panel

Analog input/output section



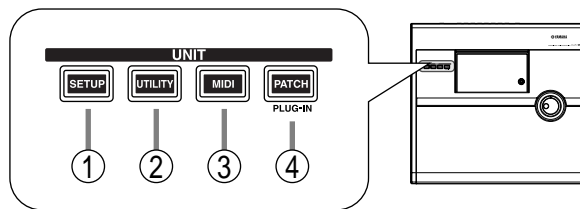
- ① [GAIN] control
- ② [PEAK] indicators
- ③ [PHONES] (headphones) control
- ④ [MONITOR OUT] control

WORK NAVIGATE section



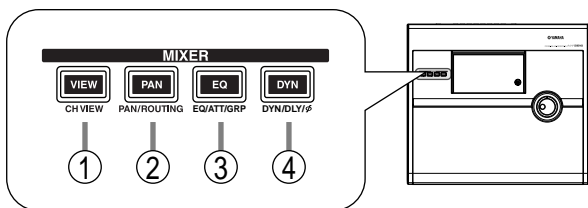
- ① [SONG] key
- ② [FILE] key
- ③ [CD] key
- ④ [QUICK REC] (Quick Record) key

UNIT section



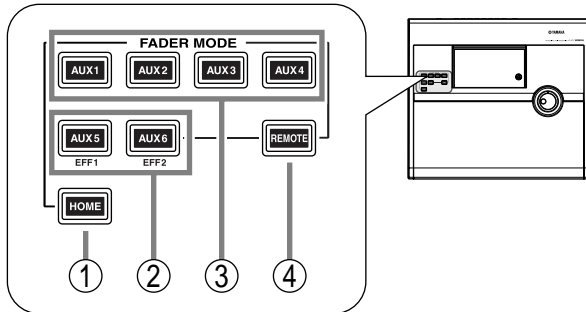
- ① [SETUP] key
- ② [UTILITY] key
- ③ [MIDI] key
- ④ [PATCH] key

MIXER section



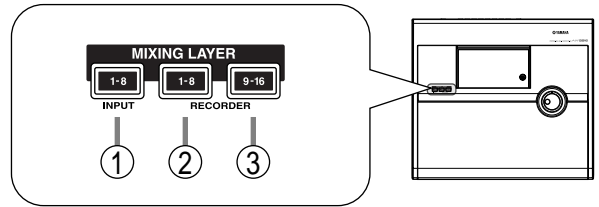
- ① [VIEW] key
- ② [PAN] key
- ③ [EQ] (Equalizer) key
- ④ [DYN] (Dynamics) key

FADER MODE section



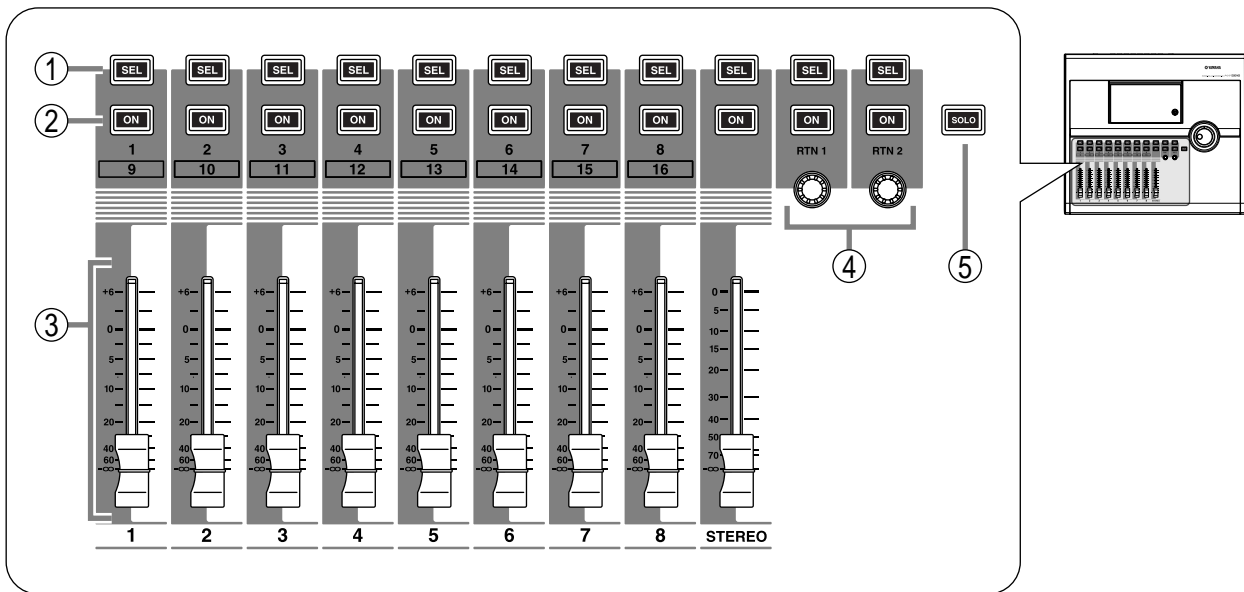
- ① [HOME] key
- ② [AUX 5]/[AUX 6] keys
- ③ [AUX 1]-[AUX 4] keys
- ④ [REMOTE] key

MIXING LAYER section



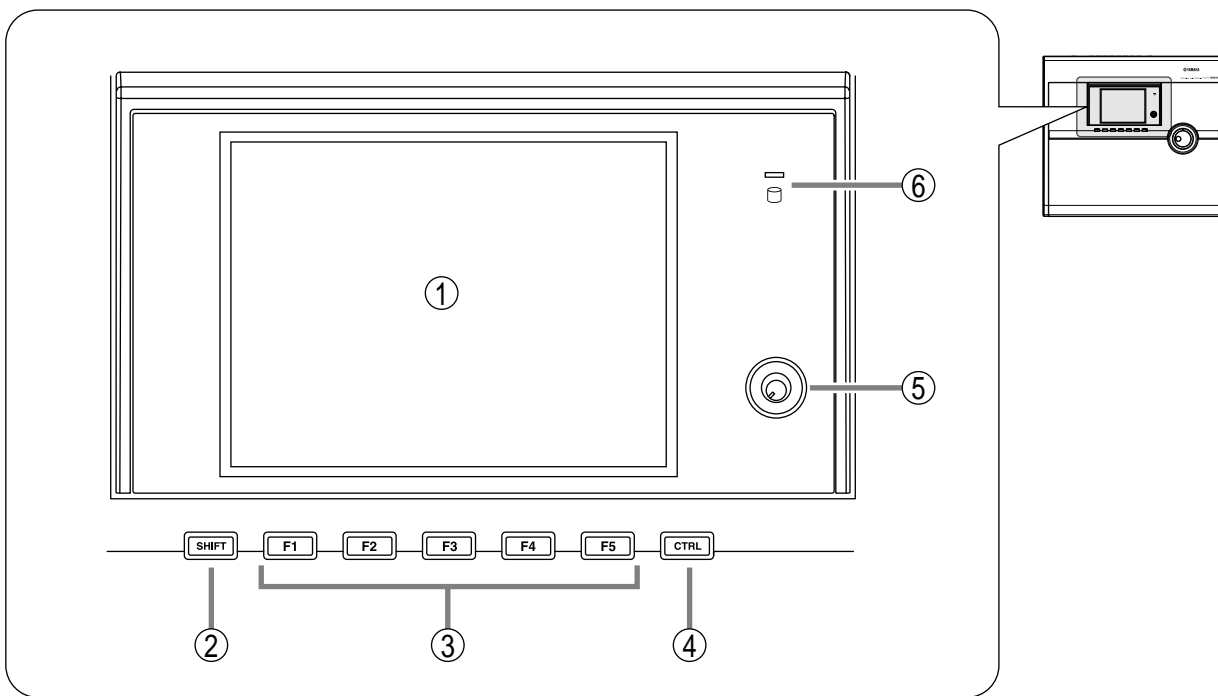
- ① INPUT [1-8] key
- ② RECORDER [1-8] key
- ③ RECORDER [9-16] key

Fader section



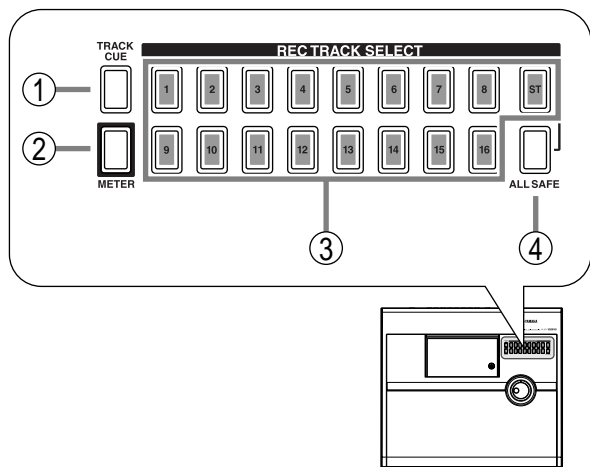
- ① [SEL] keys (1-8/STEREO/RTN 1/RTN 2)
- ② [ON] keys (1-8/STEREO/RTN 1/RTN 2)
- ③ Faders (1-8/STEREO)
- ④ [RTN 1]/[RTN 2] controls
- ⑤ [SOLO] key (1-16/STEREO/RTN 1/RTN 2)

Display section



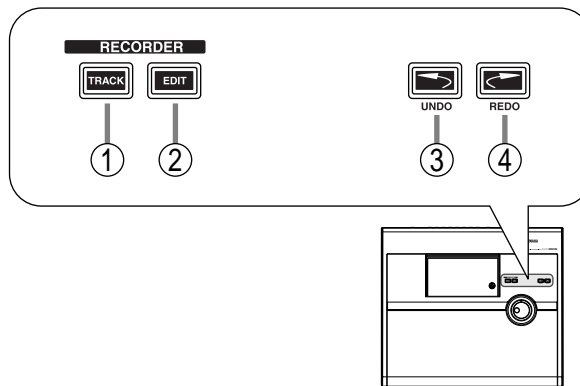
- ① Display
- ② [SHIFT] key
- ③ [F1]-[F5] (Function 1-5) keys
- ④ [CTRL] (Control) key
- ⑤ Contrast
- ⑥ Access indicator

REC TRACK SELECT section



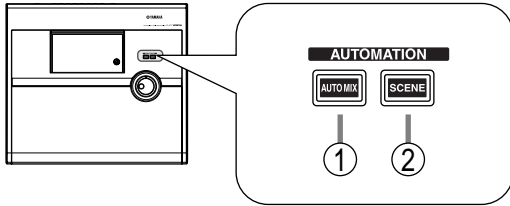
- ① [CUE] key
- ② [METER] key
- ③ REC TRACK SELECT [1]-[16]/[ST]
- ④ [ALL SAFE] key

RECORDER section



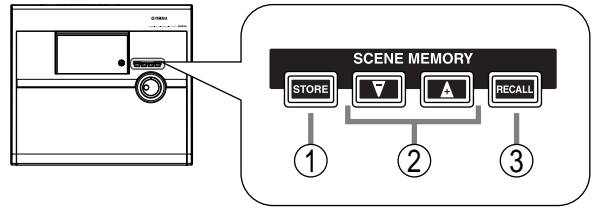
- ① [TRACK] key
- ② [EDIT] key
- ③ [UNDO] key
- ④ [REDO] key

AUTOMATION section



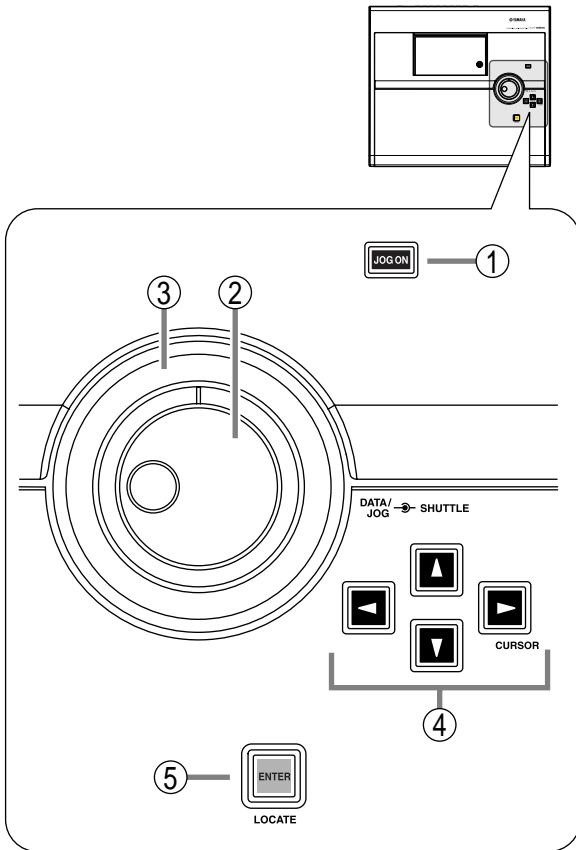
- ① [AUTOMIX] key
- ② [SCENE] key

SCENE MEMORY section



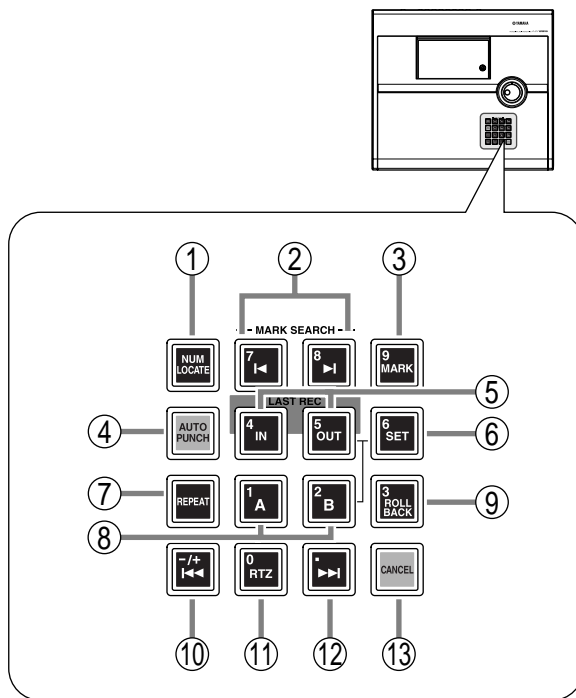
- ① [STORE] key
- ② [▼]/[▲] keys
- ③ [RECALL] key

CURSOR/JOG&SHUTTLE section



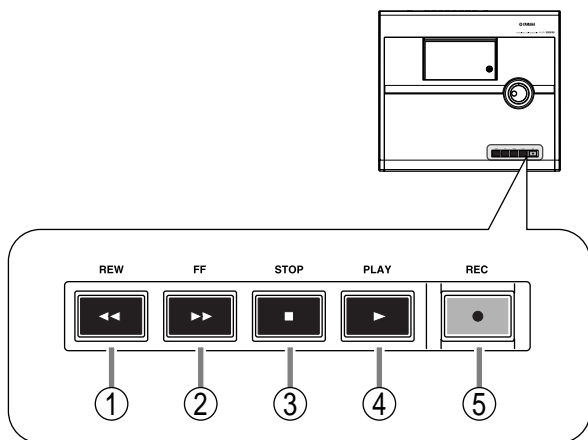
- ① [JOG ON] key
- ② [DATA/JOG] dial
- ③ [SHUTTLE] dial
- ④ CURSOR [◀]/[▶]/[▲]/[▼] keys
- ⑤ [ENTER] key

LOCATE section



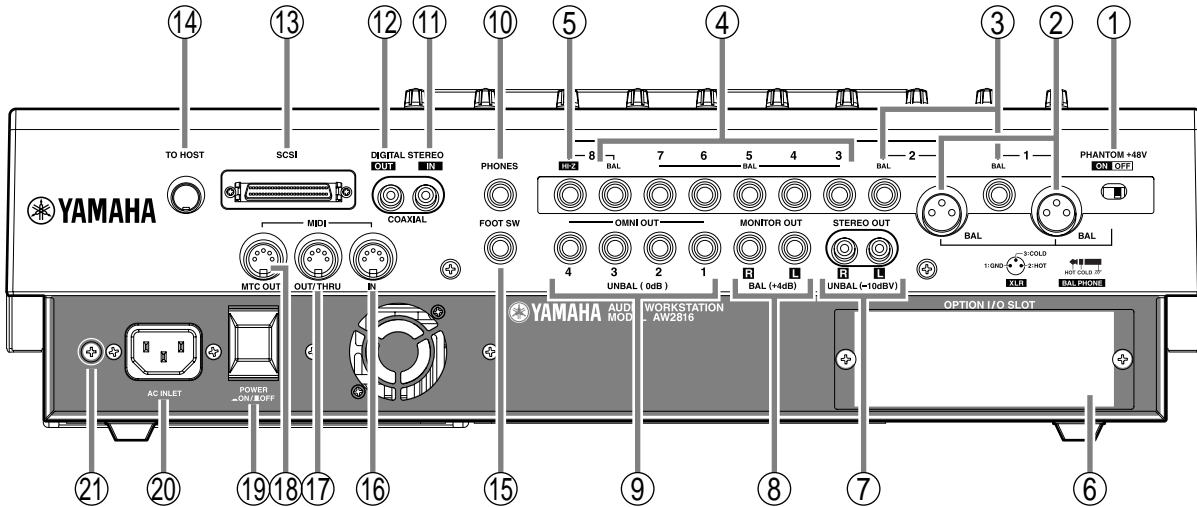
- ① [NUM LOCATE] key
- ② MARK SEARCH [◀]/[▶] keys
- ③ [MARK] key
- ④ [AUTO PUNCH] key
- ⑤ LAST REC [IN]/[OUT] (Last recording in/out) key
- ⑥ [SET] key
- ⑦ [REPEAT] key
- ⑧ [A]/[B] keys
- ⑨ [ROLL BACK] key
- ⑩ [◀◀] key
- ⑪ [RTZ] (Return to zero) key
- ⑫ [▶▶] key
- ⑬ [CANCEL] key

Transport section



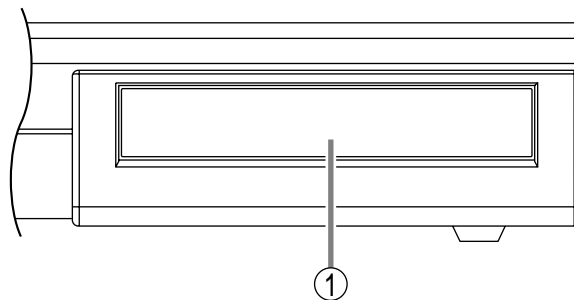
- ① REW [◀◀] (Rewind) key
- ② FF [▶▶] (Fast-forward) key
- ③ STOP [■] key
- ④ PLAY [▶] key
- ⑤ REC [●] (Record) key

• Rear panel



- | | |
|--------------------------------|---------------------------|
| ① [PHANTOM +48V ON/OFF] switch | ⑫ DIGITAL STEREO OUT jack |
| ② INPUT 1/2 (XLR) jacks | ⑬ SCSI connector |
| ③ INPUT 1/2 (TRS phone) jacks | ⑭ TO HOST connector |
| ④ INPUT 3-8 (TRS phone) jacks | ⑮ FOOT SW jack |
| ⑤ INPUT 8 (Hi-Z) jack | ⑯ MIDI IN connector |
| ⑥ OPTION I/O slot | ⑰ MIDI OUT/THRU connector |
| ⑦ STEREO OUT jacks | ⑱ POWER switch |
| ⑧ MONITOR OUT jacks | ⑲ POWER switch |
| ⑨ OMNI OUT jacks | ⑳ AC INLET connector |
| ⑩ PHONES jack | ㉑ Grounding terminal |
| ⑪ DIGITAL STEREO IN jack | |

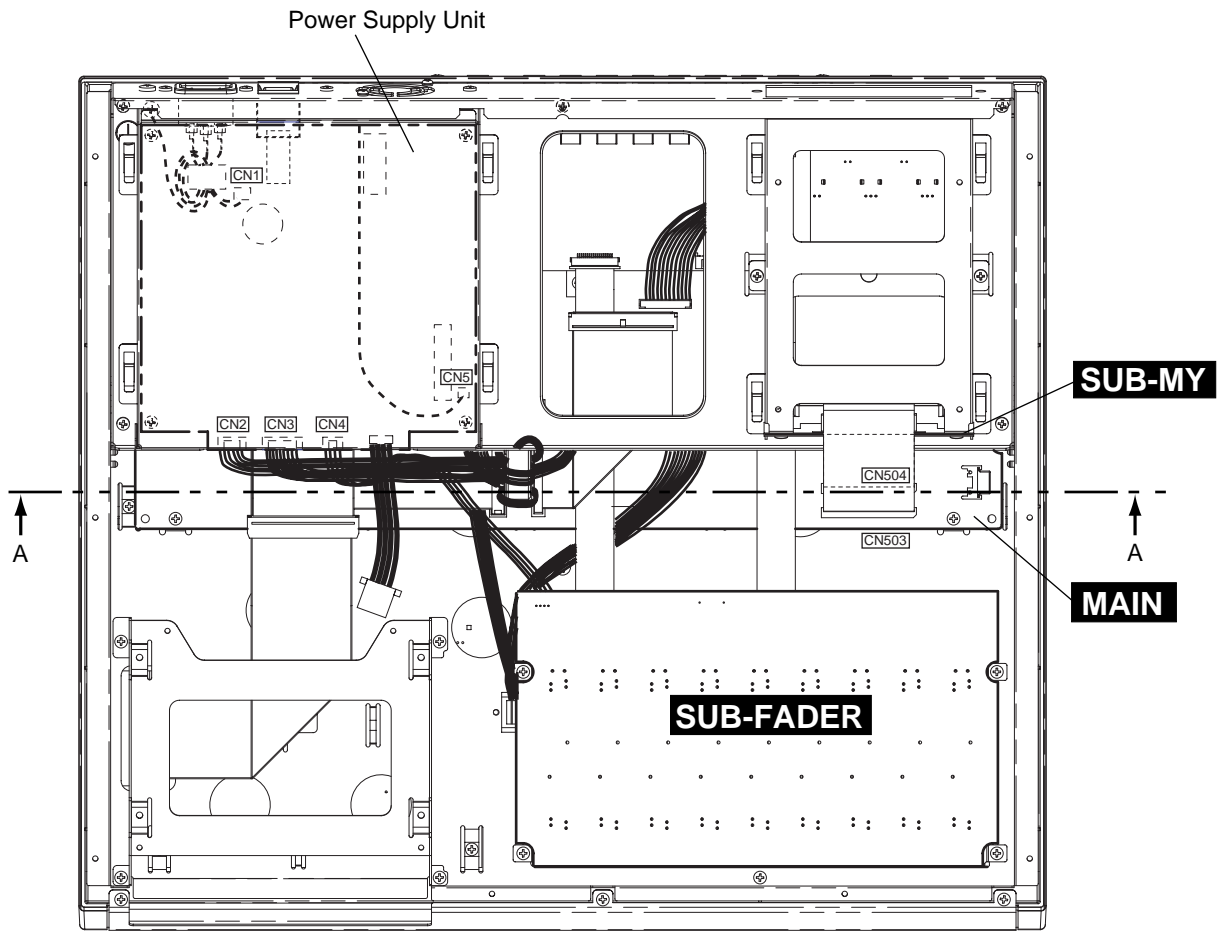
• Front panel



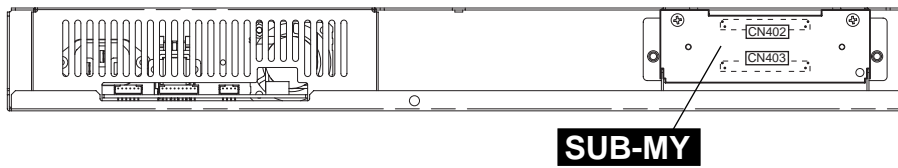
- ① CD-RW drive cover

■ CIRCUIT BOARD LAYOUT

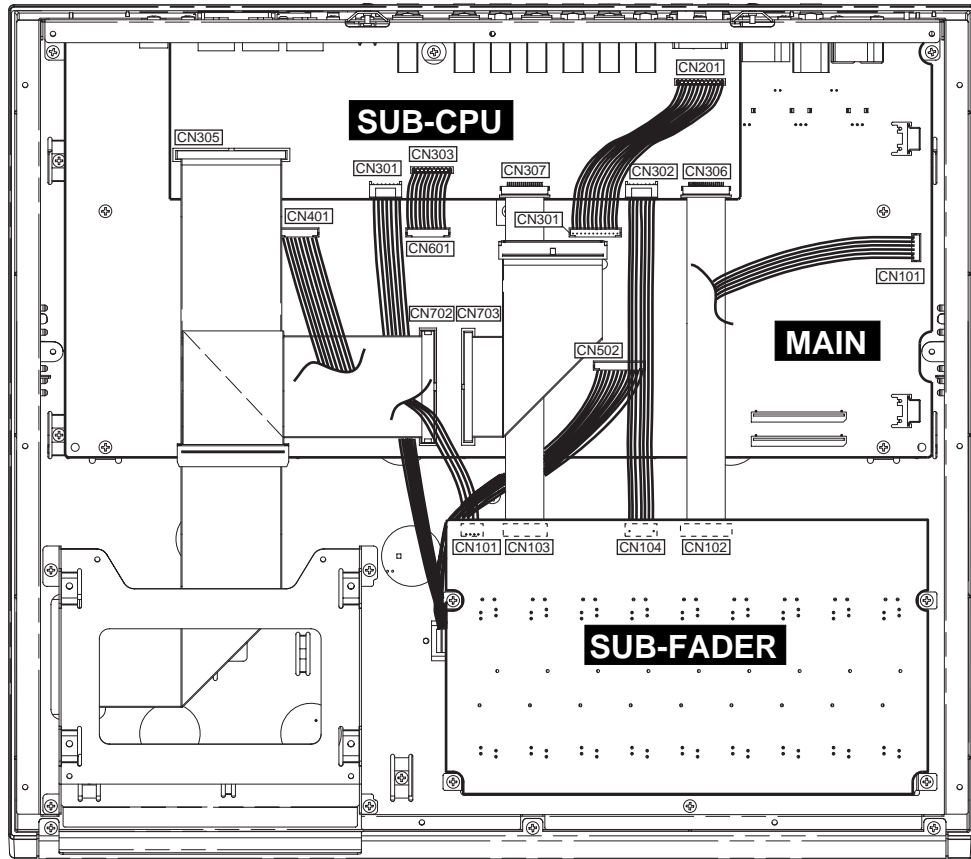
(Bottom view)



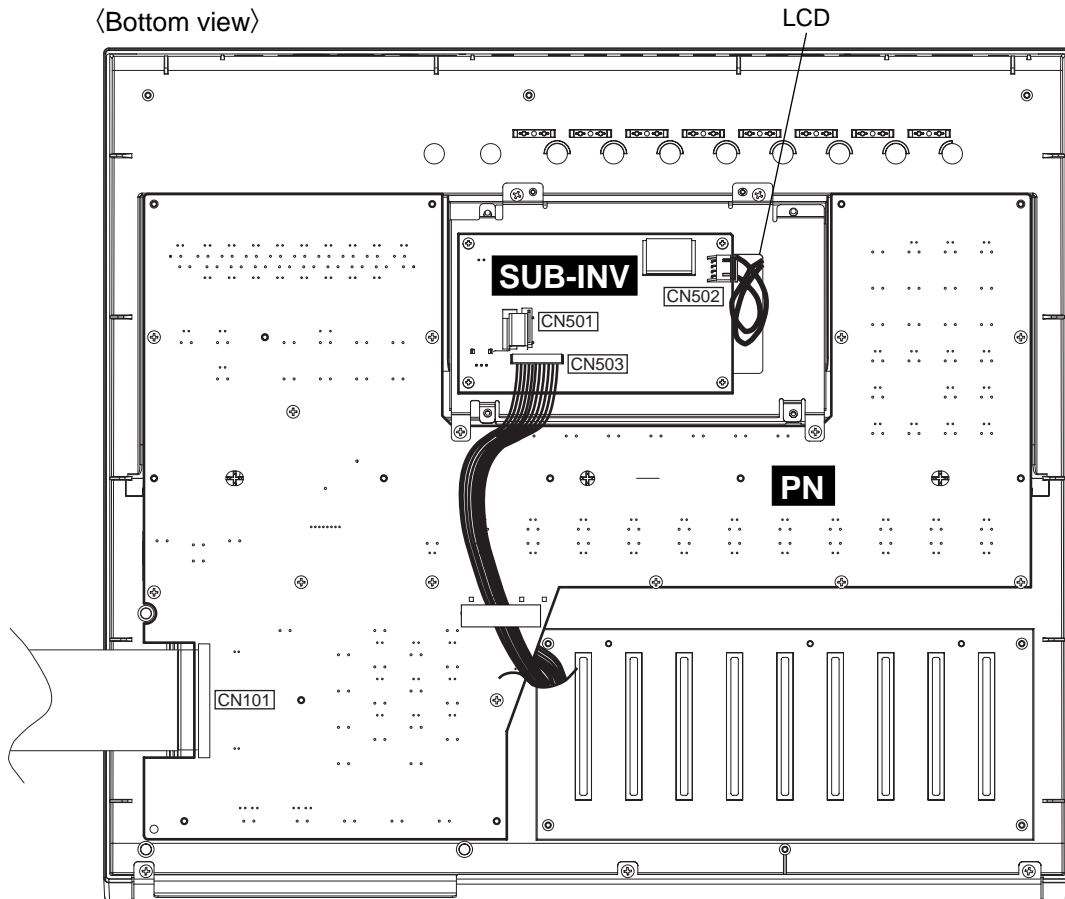
SEC A-A



〈Bottom view〉

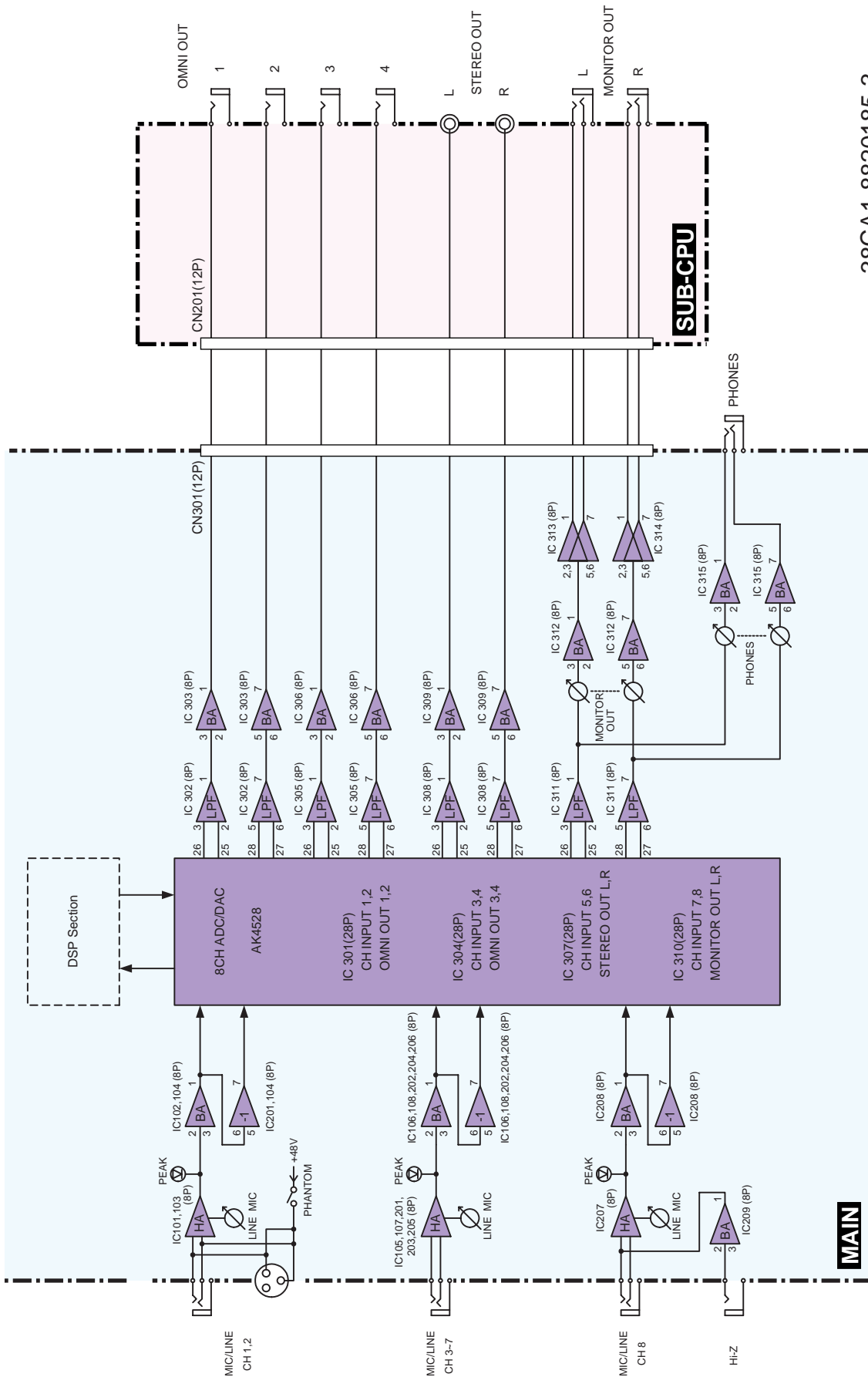


〈Bottom view〉



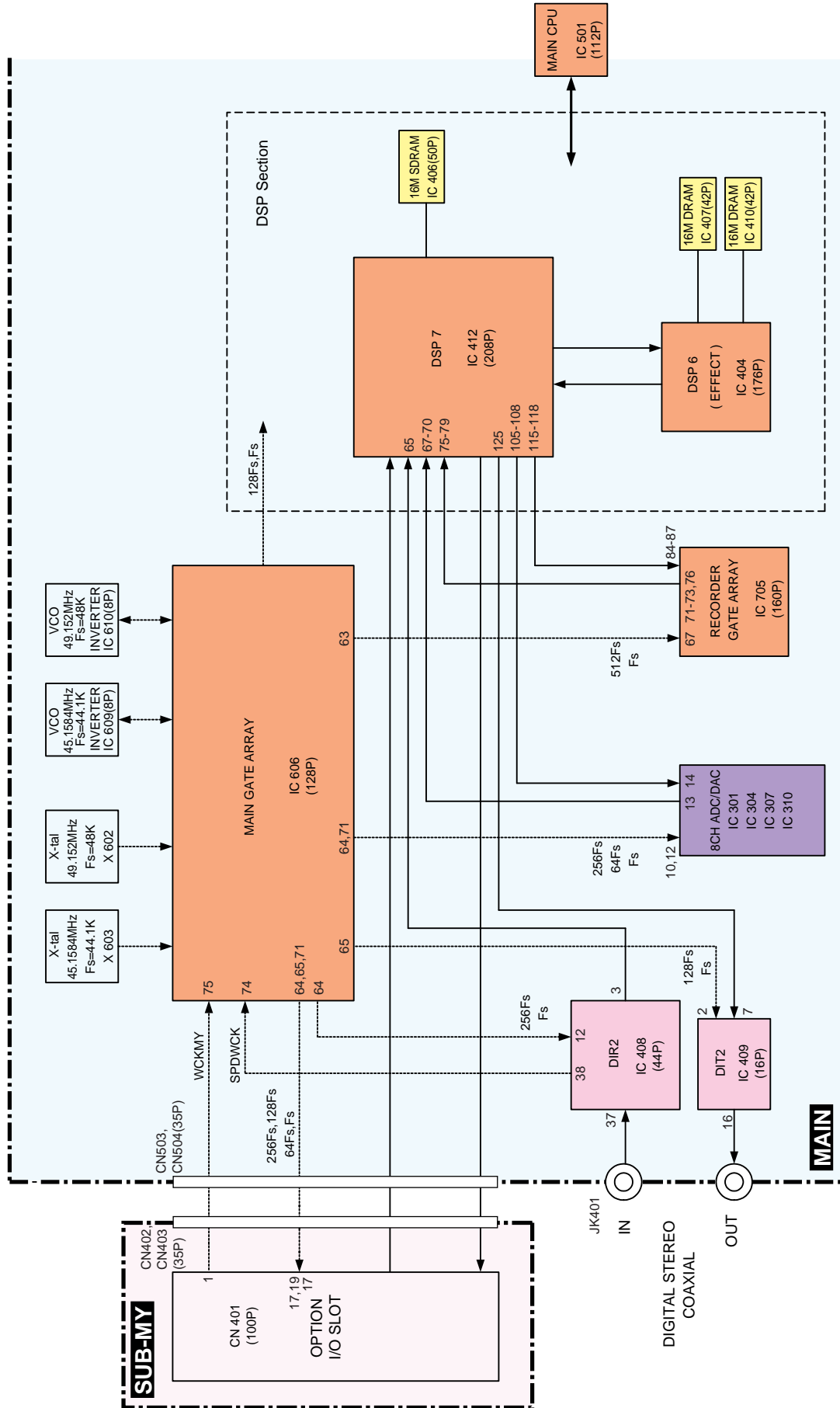
BLOCK DIAGRAM

⟨ANALOG Section⟩

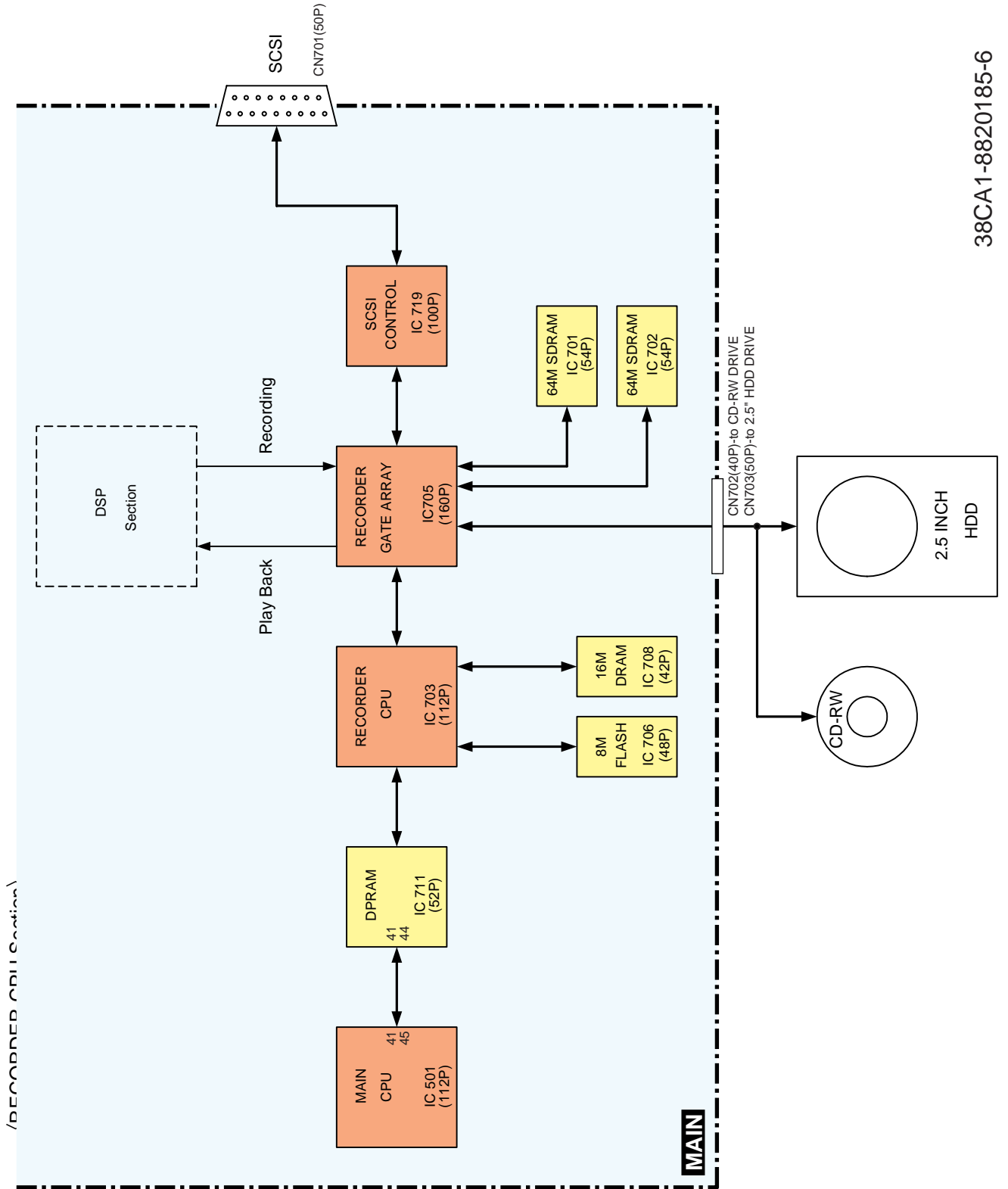


38CA1-8820185-3

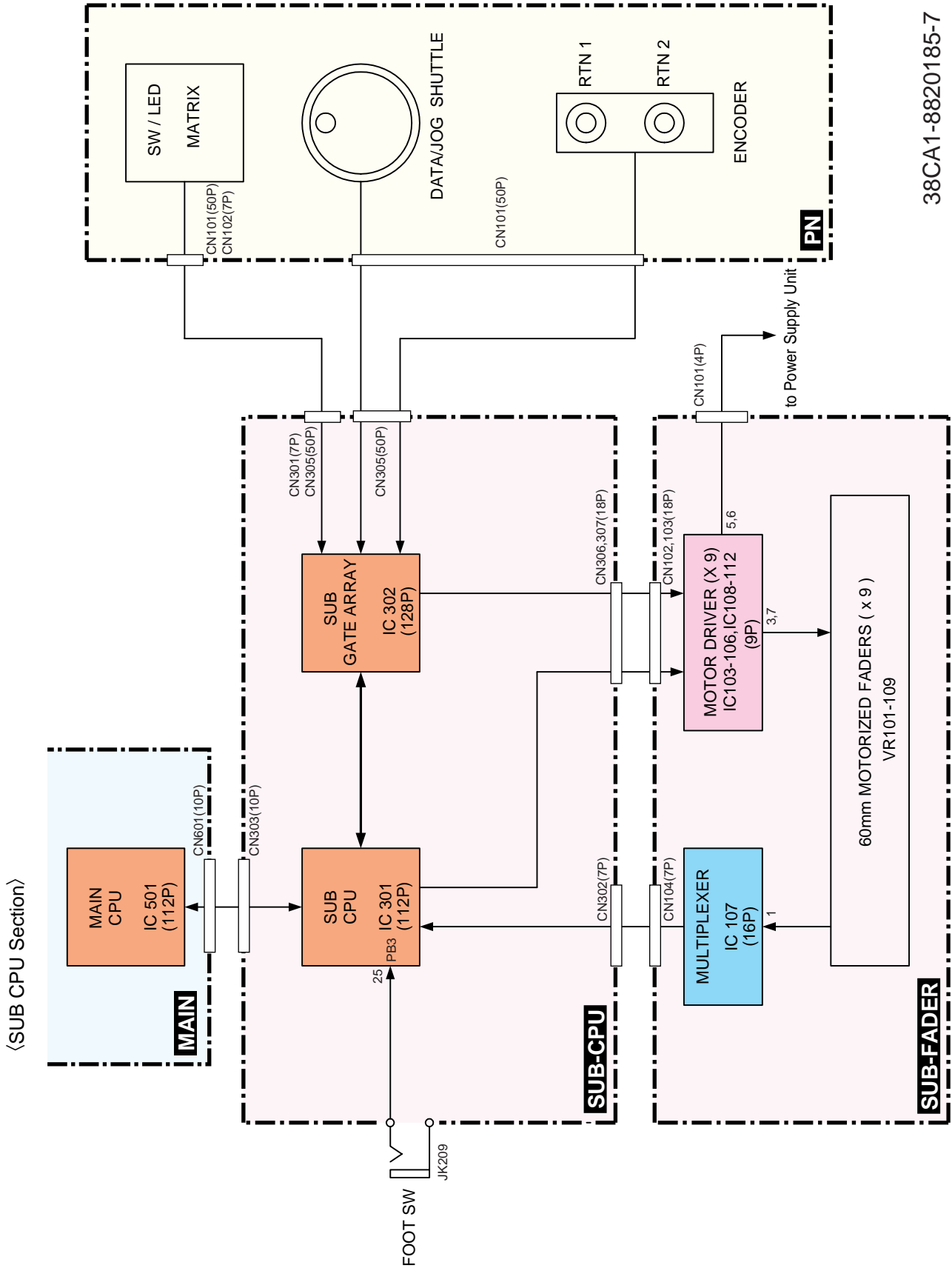
<DSP Section>



38CA1-8820185-5



38CA1-8820185-6



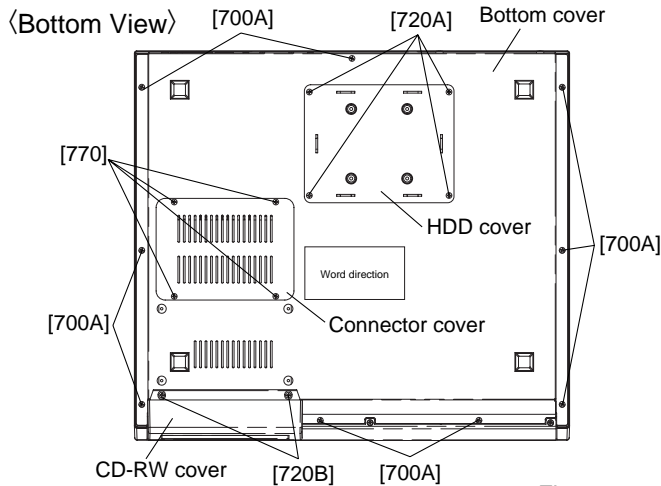
38CA1-8820185-7

DISASSEMBLY PROCEDURE

1. Bottom Cover

(Time required: About 5 minutes)

- 1-1 Remove the four (4) screws marked [720A] and turn over the HDD cover, and then pull out the HDD cable from the connector of the hard disk. The HDD cover can then be removed with the hard disk. (Fig.1)
*** When you remove the HDD cover, be sure to remove it with the hard disk.**
- 1-2 Remove the four (4) screws marked [770]. The connector cover can then be removed. (Fig.1)
- 1-3 Remove the two (2) screws marked [720B]. The CD-RW cover can then be removed. (Fig.1)
- 1-4 Remove the nine (9) screws marked [700A]. The bottom cover can then be removed. (Fig.1)



- [700A]: Bind Head Tapping Screw-B 3.0X8 MFZN2BL (EP600190)
- [720]: Bind Head Tapping Screw-S 3.0X6 MFZN2BL (EP630210)
- [770]: Bind Head Tapping Screw-S SP 3.0X6 MFZN2BL (V7723000)

Fig.1

2. SUB-FADER Circuit Board

(Time required: About 15 minutes)

- 2-1 Remove the eight (8) fader knobs marked [440] and the fader knob marked [450] from the control panel side. (Fig.2)
- 2-2 Remove the bottom cover. (See procedure 1.)
- 2-3 Remove the four (4) screws marked [700B]. The SUB-FADER circuit board can then be removed. (Fig.3)

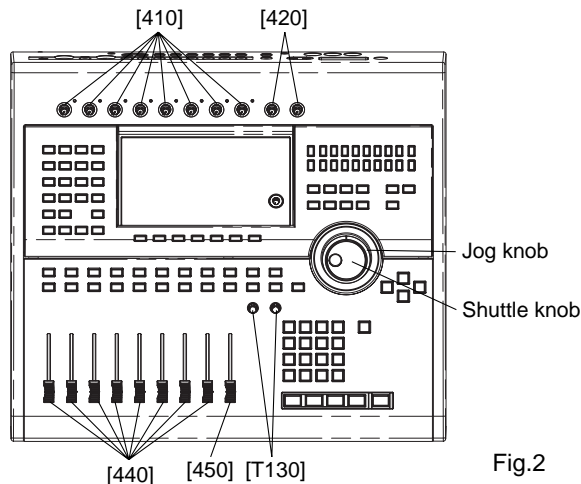


Fig.2

3. SUB-MY Circuit Board and Power Supply Unit

(Time required: About 15 minutes each)

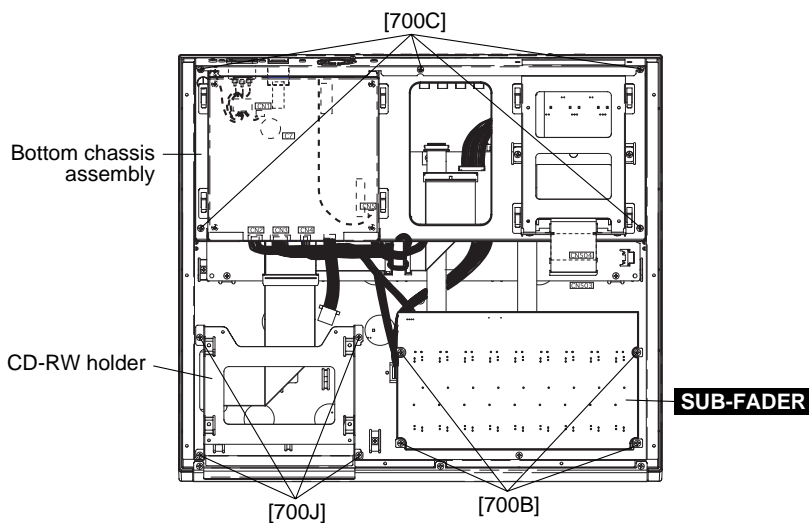
3-1 Remove the bottom cover. (See procedure 1.)
 3-2 Remove the five (5) screws marked [700C]. The bottom chassis assembly can then be removed. (Fig.3)

3-3 **SUB-MY Circuit Board:**
 Remove the two (2) screws marked [700D]. The SUB-MY circuit board can then be removed. (Fig.4)

3-4 **Power Supply Unit:**
 Remove the screw marked [760] and the screw marked [700E]. The AC cover can then be removed. (Fig.4)

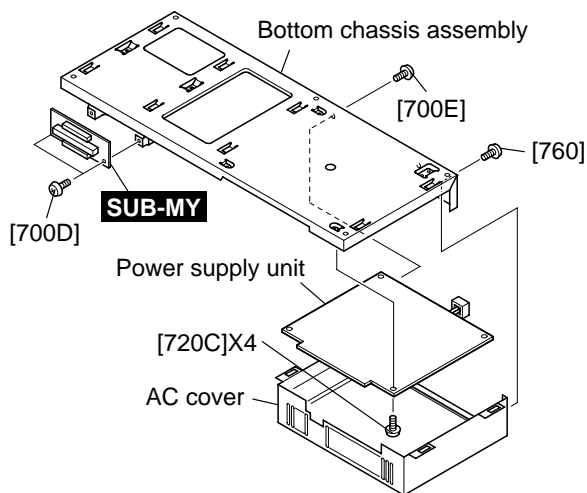
Remove the four (4) screws marked [720C]. The power supply unit can then be removed. (Fig.4)

* When you assemble the power supply unit, be sure to attach the AC cover as before.



[700]: Bind Head Tapping Screw-B
 3.0X8 MFZN2BL (EP600190)

Fig.3



[700]: Bind Head Tapping Screw-B
 3.0X8 MFZN2BL (EP600190)

[720C]: Bind Head Tapping Screw-S
 3.0X6 MFZN2BL (EP630210)

[760]: Bind Head Screw
 4.0X6 MFZN2BL (EG340340)

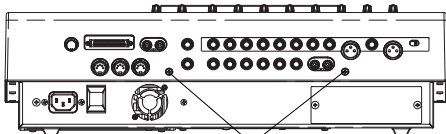
Fig.4

4. MAIN and SUB-CPU Circuit Boards

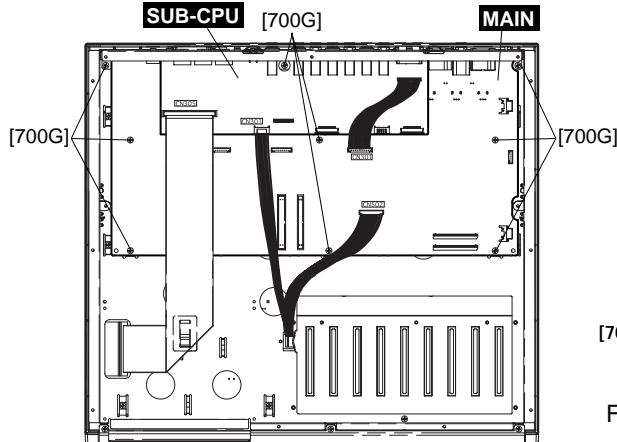
(Time required: About 25 minutes)

- 4-1 Remove the eight (8) knobs marked [410] and the two (2) knobs marked [420] from the control panel side. (Fig.2)
- 4-2 Remove the bottom cover. (See procedure 1.)
- 4-3 Remove the bottom chassis assembly. (See procedure 3-2.)
- 4-4 Remove the two (2) screws marked [700F] and the nine (9) screws marked [700G]. The rear chassis can then be removed with the MAIN and SUB-CPU circuit boards. (Fig.5)
- 4-5 Remove the five (5) screws marked [700H], the two (2) screws marked [710], the screw marked [720D] and the five (5) U-shaped holders marked [660A]. The MAIN circuit board can then be removed from the rear chassis. (Fig.6)
- 4-6 Remove the three (3) screws marked [700I], the screw marked [720E] and the four (4) U-shaped holders marked [660B]. The SUB-CPU circuit board can then be removed from the rear chassis. (Fig.6)

〈Rear View〉

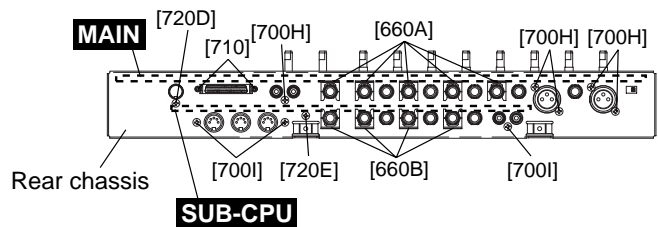


〈Bottom View〉



[700]: Bind Head Tapping Screw-B
3.0X8 MFZN2BL (EP600190)

Fig.5



[700]: Bind Head Tapping Screw-B
3.0X8 MFZN2BL (EP600190)

[710]: Pan Head Screw
2.6X6 MFNI33 (VT267800)

[720]: Bind Head Tapping Screw-S
3.0X6 MFZN2BL (EP630210)

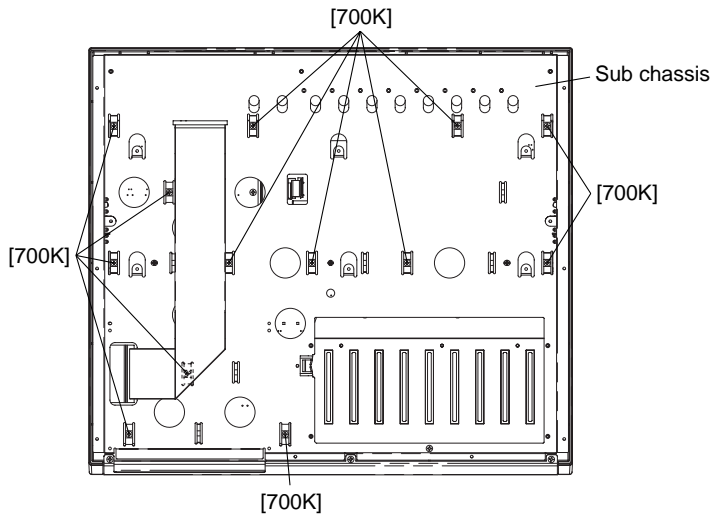
Fig.6

5. PN, SUB-INV Circuit Boards and LCD

(Time required: About 30 minutes each)

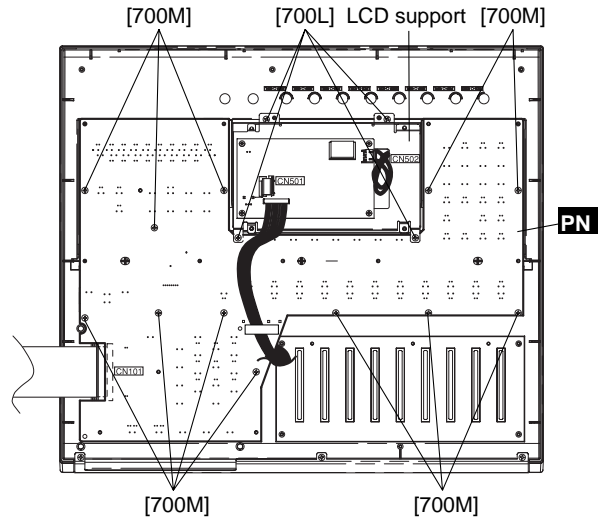
- 5-1 Remove the JOG knob, the SHUTTLE knob, the two (2) knobs marked [T130] and the knobs marked [410], [420], [440] and [450] from the control panel side. (Fig.2)
- 5-2 Remove the bottom cover. (See procedure 1.)
- 5-3 Remove the SUB-FADER circuit board. (See procedure 2.)
- 5-4 Remove the bottom chassis assembly. (See procedure 3-2.)
- 5-5 Remove the rear chassis with the MAIN and SUB-CPU circuit boards. (See procedure 4-4.)

- 5-6 Remove the four (4) screws marked [700J]. The CD-RW holder can then be removed. (Fig.3)
- 5-7 Remove the thirteen (13) screws marked [700K]. The sub chassis can then be removed. (Fig.7)
- 5-8 Remove the four (4) screws marked [700L]. The LCD support can then be removed. (Fig.8)
- 5-9 **PN Circuit Board:**
Remove the twelve (12) screws marked [700M]. The PN circuit board can then be removed. (Fig.8)
- 5-10 **LCD:**
Remove the two (2) screws marked [730]. The LCD can then be removed from the LCD support. (Fig.9)
- 5-11 **SUB-INV Circuit Board:**
Remove the four (4) screws marked [740]. The SUB-INV circuit board can then be removed from the LCD support. (Fig.9)



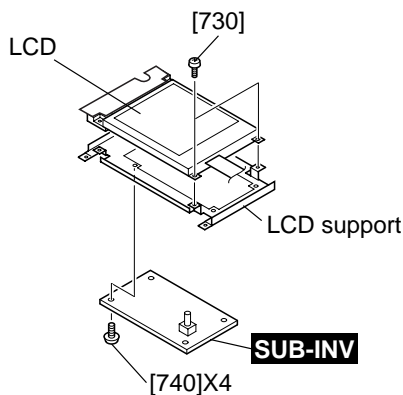
[700K]: Bind Head Tapping Screw-B
3.0X8 MFZN2BL (EP600190)

Fig.7



[700]: Bind Head Tapping Screw-B
3.0X8 MFZN2BL (EP600190)

Fig.8



[730]: Bind Head Tapping Screw-S
2.6X8 MFZN2Y (V5679500)

[740]: Bind Head Tapping Screw-S
2.6X4 MFZN2Y (VU757900)

Fig.9

■ INSTALLING AN INTERNAL HARD DISK



- *Hard disks are precision devices. Do not subject them to physical shock or static electricity, etc.*
- *Do not place a hard disk nearby devices that produce a strong magnetic field, or in locations of extreme cold, heat, or moisture.*
- *Before you handle a hard disk, touch your hand to a grounded metallic object to release any static charge that may be present in your body or clothing. If you fail to do so, static electricity may damage the hard disk.*
- *Never attempt to disassemble a hard disk or apply excessive force to it.*
- *In order to install the internal hard disk, you will need to turn the AW2816 upside down. Please make sure that your work surface is spacious enough.*
- *The AW2816 is shipped with four screws for attaching a 2.5 inch hard disk, and four screws for attaching a CD-RW drive, making a total of eight included screws of the same type.*

1 You will need the following items.

- The AW2816 itself
- A 2.5 inch IDE hard disk (sold separately) for installation
- Four screws included with the AW2816 for attaching the 2.5 inch hard disk
- A philips (+) screwdriver
- Work surface

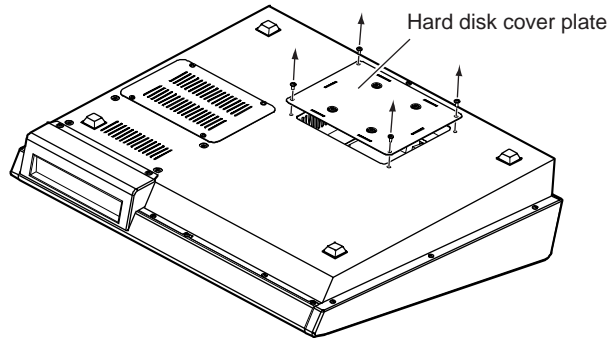
2 Make sure that the power of the AW2816 is turned off. For safety's sake, disconnect the power cable from the AC outlet.



Always switch off the power for the main unit and all peripherals, unplug the power cord for the main unit from the outlet, then disconnect the cables connecting the main unit with the peripherals before starting installation work.

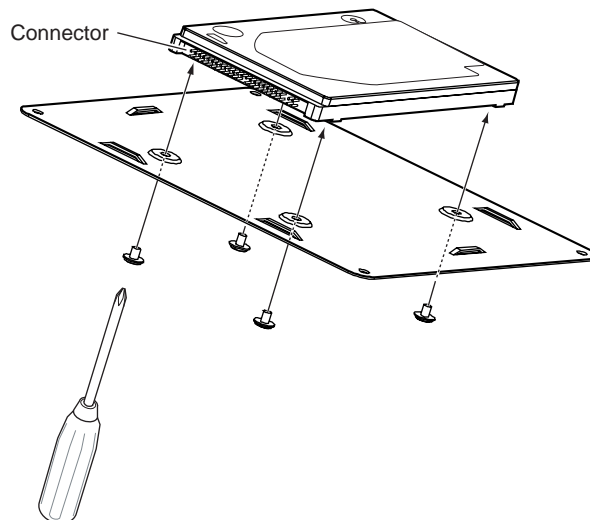
3 Spread a soft cloth over your work surface, and place magazines or books to support the four corners of the AW2816 so that the faders, keys, and other controllers on the top panel will not be damaged. Then turn the AW2816 face down.

- 4** From the bottom, unfasten the hard disk cover plate to which the internal 2.5 inch IDE hard disk will be attached.



The screws you remove will be used again to fasten the cover plate, so be careful not to lose them.

- 5** Turn over the hard disk cover plate. As shown in the illustration, place the hard disk to be installed on the cover plate, align the screw holes of the hard disk with the holes of the cover panel, and use a screwdriver and the included screws to fasten the hard disk at four locations.

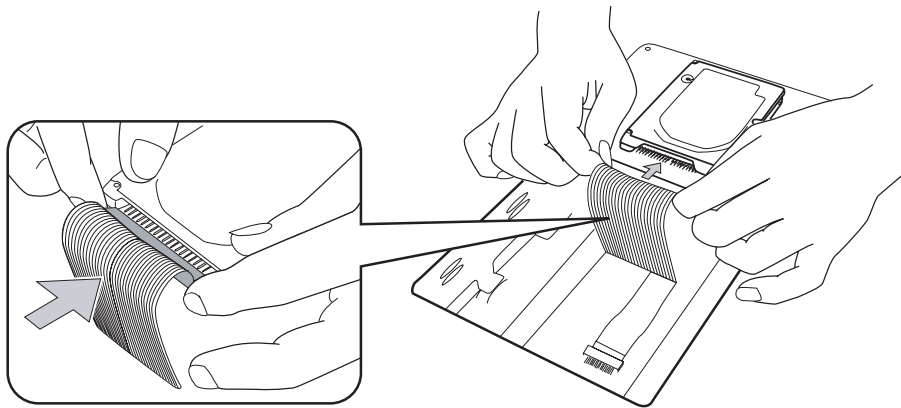


If you fail to tighten the screws all the way, the hard disk may vibrate and fail to operate correctly.

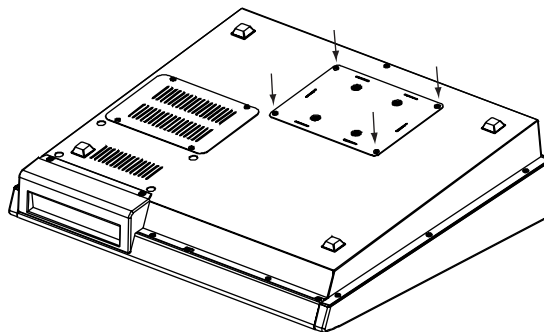
- 6** Pull out the flat cable from inside the AW2816, and plug the flat cable into the connector of the hard disk as shown in the illustration. Press both ends of the flat cable connector to ensure that it is firmly plugged in all the way.



- Even if the connector is difficult to insert, do not attempt to insert it by applying excessive force. Doing so may damage the hard disk, or you may injure yourself.
- When inserting the connector, be careful that it is not mis-aligned up/down or left/right.



- 7** As shown in the illustration place the cover plate with the attached hard disk back onto the bottom panel of the AW2816, and fasten the cover plate to the bottom panel using the four screws that you removed in step 4.



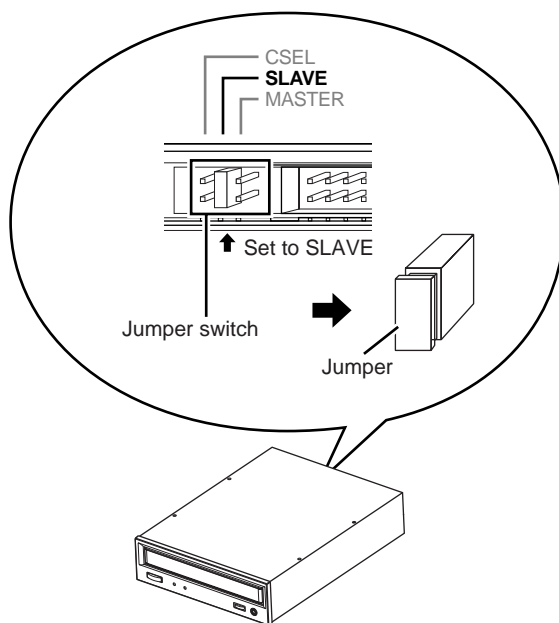
- You must use the same screws that you removed in step 4, or identical screws. Using longer screws may damage the interior of the unit, or may cause electrical shock.
- Do not turn on the power of the AW2816 until all options have been installed.
- When you turn on the power of the AW2816 after installing a new hard disk, formatting of the hard disk will begin automatically.

■ INSTALLING A CD-RW DRIVE

CD-RW drive settings

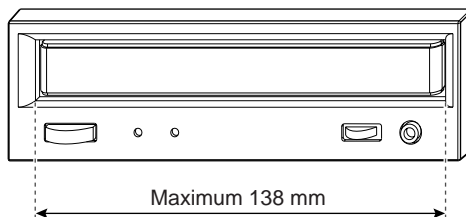
Insert the jumper (included with the CD-RW drive) into the jumper switch on the rear panel of the CD-RW drive to set your CD-RW drive to function as a SLAVE unit. The AW2816 will not start up if the CD-RW is set to a mode other than SLAVE.

- If you are installing a CD-RW drive manufactured by Yamaha, it will be set to SLAVE when shipped from the factory, so you do not need to change the setting.



For details on this setting, refer to the manual that came with your CD-RW drive.

- * Note that the cover panel of the AW2816 cannot be attached to a CD-RW drive with a lid-type tray. The AW2816's cover panel can be attached to a CD-RW drive with a tray of the following dimensions.



Installation procedure

1 You will need the following items.

- The AW2816 itself
- Internal CD-RW drive (option)
- Four screws (included with the AW2816) for attaching the CD-RW drive
- Philips (+) screwdriver
- Work surface



- *In order to install the CD-RW drive you will need to turn the AW2816 on its back. Make sure that you have a sufficiently broad work surface.*
- *The AW2816 is shipped with four screws for attaching the 2.5 inch hard disk, and four screws for attaching the CD-RW drive, making a total of eight screws of the same type.*

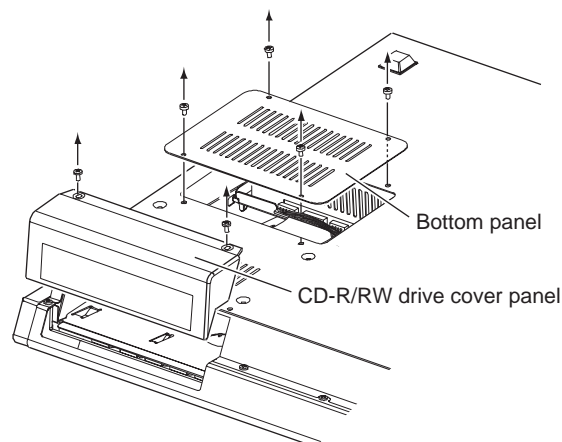
2 Make sure that the power of the AW2816 is turned off. For safety's sake, disconnect the power cable from the AC outlet.



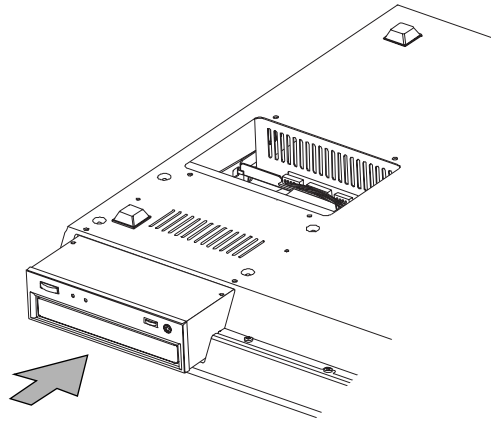
Always switch off the power for the main unit and all peripherals, unplug the power cord for the main unit from the outlet, then disconnect the cables connecting the main unit with the peripherals before starting installation work.

3 Spread a soft cloth over your work surface, and place magazines or books to support the four corners of the AW2816 so that the faders, keys, and other controllers on the top panel will not be damaged. Then turn the AW2816 face down.

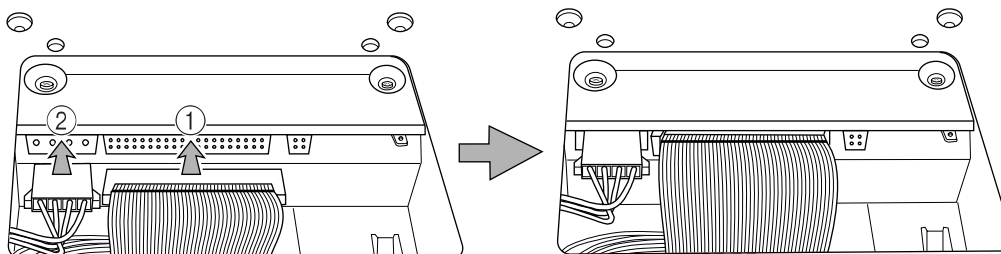
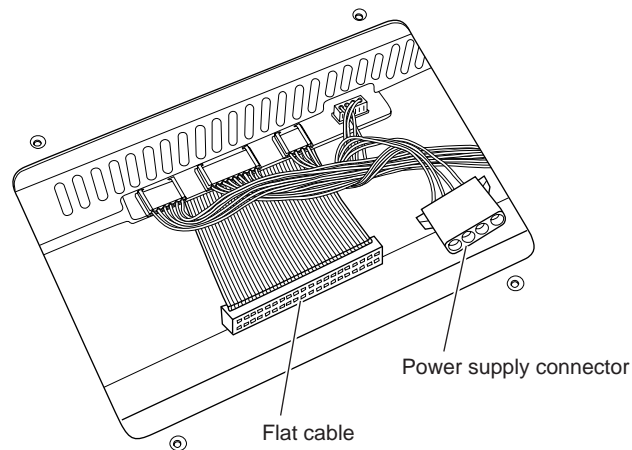
4 Remove the CD-RW drive cover from the front panel, and remove the bottom panel.



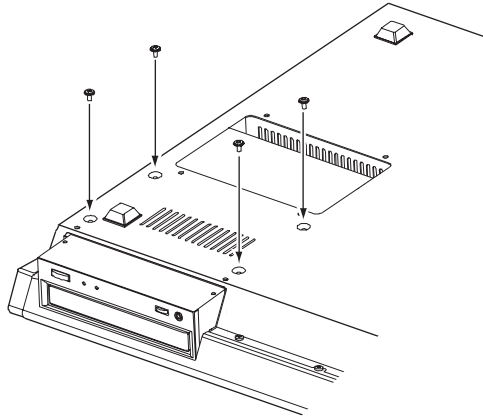
- 5** Turn the CD-RW drive over, and insert it little by little, stopping when the connector end of the CD-RW drive enters the opening in the bottom of the AW2816.



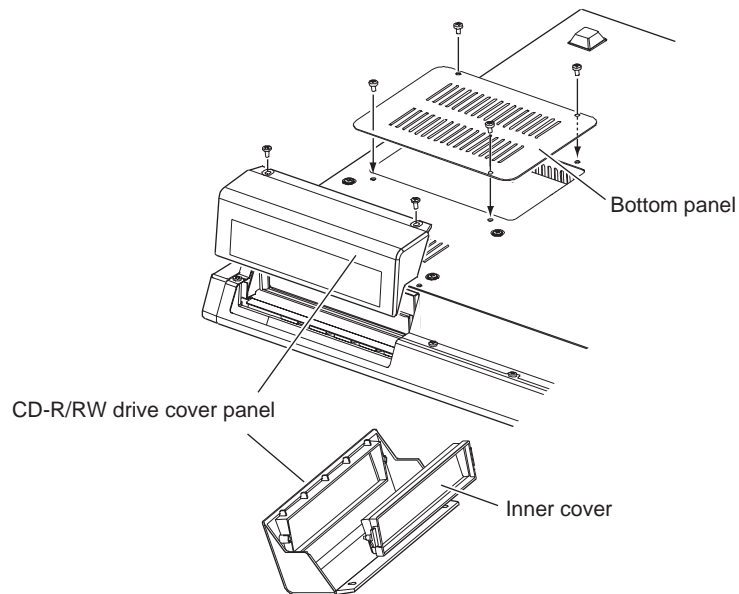
- 6** Connect the flat cable (①) and CD-RW drive power supply connector (②) (from inside the AW2816) to the connectors of the CD-RW drive. Connect the flat cable first, and then the power supply connector.



- 7** Align the fastening screw-holes on the bottom of the CD-RW drive with the screw-holes in the AW2816, and using a screw-driver and the included screws, fasten it in four locations.



- 8** Re-attach the CD-RW drive cover and the bottom panel that you removed in step 4. At this time, remove the inner cover from the CD-RW drive cover.



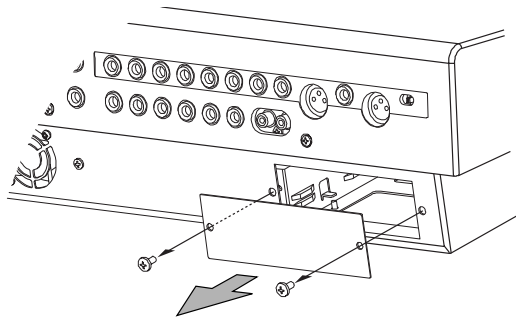
■ INSTALLING I/O CARD

- 1 Make sure that the power of the AW2816 is turned off. For safety's sake, disconnect the power cable from the AC outlet.



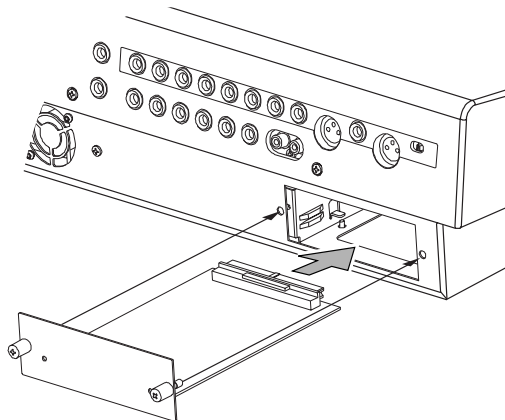
Always switch off the power for the main unit and all peripherals, unplug the power cord for the main unit from the outlet, then disconnect the cables connecting the main unit with the peripherals before starting installation work.

- 2 From the OPTION I/O slot located on the rear panel of the AW2816, remove the two screws that hold the cover in place.



Please keep the cover and screws you removed in a safe place.

- 3 Slide the I/O card along the rails inside the slot until it clicks into place.
- 4 Tighten the two screws included with the I/O card to fasten the card securely.



Please note that if the screws are loose, the card may not be grounded correctly.

LSI PIN DESCRIPTION

S1D13305F00B100 (XQ595A00) LCDC (LCD Controller) 37
 HD6437042AG12F (X0592A00) CPU 38
 HD6437042AF65F (XW647A00) CPU 38
 YSS910-S (XV988A00) DSP6 (Digital Signal Processor) 39
 YSS919-H (XZ693A00) DSP7 (Digital Signal Processor) ... 40
 CI-DRC (XY629A00) Gate Array 41
 LR38791 (XY631A00) Gate Array 42
 LR38792 (XY630A00) Gate Array 43
 S1R72104F00A100 (XY625A00) SCSI Control 44
 AK4528VF (XY624A00) ADC/DAC 45
 MBCG46183-129 (XV833A00) Gate Array 45
 DS12887 (XV618A00) Real Time Clock..... 45
 YM3436DK (XG948E00) DIR2
 (Digital Format Interface Receiver) 46
 YM3437C-F (XM530A00) DIT2
 YM3437C-FE2 (XW060A00) DIT2
 (Digital Format Interface Transmitter) 46

● S1D13305F00B100 (XQ595A00) LCDC (LCD Controller)

MAIN: IC502

PIN NO.	NAME	I/O	FUNCTION	PIN NO.	NAME	I/O	FUNCTION	
1	VA5	O	} VRAM address bus	31	XD2	O	} Data bus output for 4 bit dot	
2	VA4	O		32	XD1	O		
3	VA3	O		33	XD0	O		
4	VA2	O		34	XECL	O		} S driver enable, chain clock
5	VA1	O		35	XSCL	O		
6	VA0	O		36	Vss			Data bus shift clock
7	/VWR	O	VRAM read/write	37	LP	O	Ground	
8	/VCE	O	Memory control	38	WF	O	X driver latch pulse	
9	/VRD		Not used	39	YDIS	O	Frame signal for X/Y driver	
10	/RES	I	Initial clear	40	YD	O	Power down signal for displaying off mode	
11	NC		Not used	41	YSCL	O	Scan start signal	
12	NC		Not used	42	VD7	I/O	} VRAM data bus	
13	/RD	I	Read strobe	43	VD6	I/O		
14	/WR	I	Write strobe	44	VD5	I/O		
15	SEL2	I	Bus select	45	VD4	I/O		
16	SEL1	I	Bus select	46	VD3	I/O		
17	XG	I	Clock	47	VD2	I/O		
18	XD	O	Clock	48	VD1	I/O	} VRAM address bus	
19	/CS	I	Chip select	49	VD0	I/O		
20	A0	I	Data mode select	50	VA15	O		
21	VDD		Power supply	51	VA14	O		
22	D0	I/O	} Data bus	52	VA13	O		
23	D1	I/O		53	VA12	O		
24	D2	I/O		54	VA11	O		
25	D3	I/O		55	VA10	O		
26	D4	I/O		56	VA9	O		
27	D5	I/O		57	VA8	O		
28	D6	I/O	} Data bus output for 4 bit dot	58	VA7	O	} Not used	
29	D7	I/O		59	VA6	O		
30	XD3	O		60	NC			

• **HD6437042AG12F (X0592A00) CPU**
HD6437042AF65F (XW647A00) CPU

MAIN: IC501,703 SUB-CPU: IC301

PIN NO.	NAME	I/O	FUNCTION	PIN NO.	NAME	I/O	FUNCTION
1	TIOC4/DACK0/PE14	I/O	MTU I/O / DMA acknowledge / Port E	57	D11	I/O	Data bus
2	PE15	O	Port E	58	D10	I/O	
3	VSS	I	Ground	59	D9	I/O	Ground
4	A0	O	Address bus	60	D8	I/O	
5	A1	O					
6	A2	O					
7	A3	O					
8	A4	O					
9	A5	O					
10	A6	O					
11	A7	O					
12	A8	O					
13	A9	O					
14	A10	O					
15	A11	O					
16	A12	O					
17	A13	O					
18	A14	O					
19	A15	O					
20	A16	O					
21	VCC	I	Power supply	61	VSS	I	Power supply
22	A17	O	Address bus	62	D7	I/O	
23	VSS	I	Ground	63	D6	I/O	Data bus
24	/RAS/PB2	I/O	Row address strobe / Port B	64	D5	I/O	
25	/CASL/PB3	I/O	Column address strobe (low) / Port B	65	VCC	I	Data bus
26	/CASH/PB4	I/O	Column address strobe (high) / Port B	66	D4	I/O	
27	VSS	I	Ground	67	D3	I/O	
28	/RDWR / PB5	I/O	DRAM read / write / Port B	68	D2	I/O	Data bus
29	A18/BACK/PB6	I/O	Address bus / Bus acknowledge / Port B	69	D1	I/O	
30	A19/BREQ/PB7	I/O	Address bus / Bus request / Port B	70	D0	I/O	
31	A20/PB8	O	Address bus/ Port B	71	VSS	I	Ground
32	A21/PB9	O					
33	VSS	I	Ground	72	XTAL	I	Crystal oscillator
34	/RD	O	Read	73	MD3	I	
35	/WDTOVF	O	Watch dog timer overflow	74	EXTAL	I	Crystal oscillator
36	/WRH	O	High write	75	MD2	I	
37	VCC	I	Power supply	76	NMI	I	Non-maskable interrupt request
38	/WRL	O	Low write	77	VCC	I	
39	VSS	I	Ground	78	MD1	I	Mode control
40	/CS1	O	Chip select	79	MD0	I	
41	/CS0	O	Chip select	80	PLLVC	I	PLL Power supply
42	/IRQ3/TCLKD/PA9	I/O	Interrupt request / Timer clock/ Port A	81	PLLCAP	I	
43	TCLKC/IRQ2/PA8	I/O	Timer clock / Interrupt request / Port A	82	PLLVSS	I	PLL Ground
44	/CS3	O	Chip select	83	PA15 / CK	O	
45	/CS2	O	Chip select	84	/RES	I	Power on reset
46	/IRQ1/PA5	I/O	Interrupt request / Port A	85	PE0/DREQ0	I/O	
47	TXD1	O	Data transmission	86	PE1/DRAK0	O	Port E / DMA acknowledge
48	RXD1	I	Data reception	87	PE2	O	
49	/IRQ0/PA2	I/O	Interrupt request / Port A	88	PE3	O	
50	TXD0	O	Data transmission	89	PE4	O	Port E
51	RXD0	I	Data reception	90	VSS	I	
52	D15	I/O	Data bus	91	PF0 / AN0	I	Port F / Analog input
53	D14	I/O					
54	D13	I/O					
55	VSS	I		Ground	92	PF1 / AN1	
56	D12	I/O	Data bus	93	PF2 / AN2	I	Port F / Analog input
				94	PF3 / AN3	I	
				95	PF4 / AN4	I	Port F / Analog input
				96	PF5 / AN5	I	
				97	AVSS	I	Analog ground
				98	PF6 / AN6	I	
				99	PF7 / AN7	I	Port F / Analog input
				100	AVCC	I	
				101	VSS	I	Power supply
				102	PE5	O	
				103	VCC	I	Port E
				104	PE6	I/O	
				105	PE7	I/O	Port E
				106	PE8	I/O	
				107	PE9	O	Port E
				108	PE10	O	
				109	VSS	I	Ground
				110	PE11	O	
				111	PE12	O	Port E
				112	/MRES	I	
							Manual reset

● YSS910-S (XV988A00) DSP6 (Digital Signal Processor)

MAIN: IC404

PIN NO.	NAME	I/O	FUNCTION	PIN NO.	NAME	I/O	FUNCTION					
1	Vdd		Power supply (3.3 V)	89	Vss		Ground					
2	Vss		Ground	90	DB13	I/O	Parallel data bus					
3	XI	I	System master clock input (60 MHz or 30 MHz)	91	DB14	I/O						
4	XO	O	System master clock output (High or 30 MHz)	92	DB15	I/O						
5	Vdd		Power supply (5 V)	93	DB16	I/O						
6	/SYNCl	I	Sync. signal input	94	DB17	I/O	Parallel data bus					
7	/SYNCO	O	Sync. signal output	95	DB18	I/O						
8	Vdd		Power supply (5 V)	96	DB19	I/O	Parallel data bus					
9	CKI	I	System clock input (30 MHz)	97	DB20	I/O						
10	CKO	O	System clock output (30 MHz)	98	DB21	I/O	Parallel data bus					
11	CKSEL	I	System master clock select (0: 60 MHz, 1: 30 MHz)	99	DB22	I/O						
12	Vss		Ground	100	Vss		Ground					
13	MCKS	I	Serial I/O master clock input (128 x Fs)	101	Vdd		Power supply (3.3 V)					
14	/SSYNc	I	Serial I/O Sync. signal output	102	DB23	I/O	Parallel data bus					
15	/IC	I	Initial clear	103	DB24	I/O						
16	/TEST	I	Test mode setting (0: Test, 1: Normal)	104	DB25	I/O						
17	BTYP	I	Data bus type select (0: 8 bit, 1: 16 bit)	105	DB26	I/O						
18	/IRQ	O	IRQ output	106	DB27	I/O	Parallel data bus					
19	TRIG	I/O	Trigger signal input/output	107	DB28	I/O						
20	Vdd		Power supply (5 V)	108	DB29	I/O	Parallel data bus					
21	Vss		Ground	109	DB30	I/O						
22	/CS	I	chip select signal input	110	DB31	I/O	Timing signal output/ Parallel data bus output/ input					
23	/WR	I	Write signal input	111	TIMO/DBOE	I/O						
24	/RD	I	Read signal input	112	Vss		Ground					
25	CA7	I/O	Address bus of internal register	113	Vdd		Power supply (5 V)					
26	CA6	I/O		Memory data bus	114	DA00	I/O					
27	CA5	I/O			Memory data bus	115	DA01	I/O				
28	CA4	I/O				Memory data bus	116	DA02	I/O			
29	CA3	I/O					Memory data bus	117	DA03	I/O		
30	CA2	I/O						Memory data bus	118	DA04	I/O	
31	CA1	I/O	Memory data bus						119	DA05	I/O	
32	Vss			Ground					120	DA06	I/O	
33	Vdd			Power supply (3.3 V)	121				DA07	I/O	Ground	
34	CD15	I/O		Data bus of internal register	122	Vss						
35	CD14	I/O			Data bus of internal register	123	DA08		I/O	Memory data bus		
36	CD13	I/O		Data bus of internal register		124	DA09	I/O				
37	CD12	I/O	Data bus of internal register		125	DA10	I/O	Memory data bus				
38	CD11	I/O		Data bus of internal register	126	DA11	I/O					
39	CD10	I/O	Data bus of internal register		127	DA12	I/O	Memory data bus				
40	CD09	I/O		Data bus of internal register	128	DA13	I/O					
41	CD08	I/O	Data bus of internal register		129	DA14	I/O	Memory data bus				
42	CD07	I/O		Data bus of internal register	130	DA15	I/O					
43	CD06	I/O	Data bus of internal register		131	Vss		Ground				
44	Vss			Ground	132	Vdd		Power supply (3.3 V)				
45	Vdd		Power supply (3.3 V)	133	(n.c)		Not used					
46	Vdd		Power supply (5 V)	134	Vdd		Power supply (5 V)					
47	CD05	I/O	Data bus of internal register	135	DA16	I/O	Memory data bus					
48	CD04	I/O		Data bus of internal register	136	DA17		I/O				
49	CD03	I/O			Data bus of internal register	137		DA18	I/O			
50	CD02	I/O				Data bus of internal register		138	DA19	I/O		
51	CD01	I/O						Data bus of internal register	139	DA20	I/O	
52	CD00	I/O							Data bus of internal register	140	DA21	I/O
53	/WAIT	O	WAIT output				141			DA22	I/O	Memory data bus
54	Vss		Ground	142			DA23			I/O		
55	SI0	I	Serial data input	143	Vss					Ground		
56	SI1	I		Serial data input	144	DA24	I/O			Memory data bus		
57	SI2	I			Serial data input	145	DA25	I/O				
58	SI3	I				Serial data input	146	DA26	I/O			
59	SI4	I					Serial data input	147	DA27		I/O	
60	SI5	I						Serial data input	148		DA28	I/O
61	SI6	I							Serial data input		149	DA29
62	SI7	I	Serial data input								150	DA30
63	Vss			Ground						151	DA31	I/O
64	Vdd			Power supply (5 V)	152					Vdd		
65	SO0	O		Serial data output	153	Vss					Ground	
66	SO1	O			Serial data output	154	A00			O	Memory address (SRAM, PSRAM, DRAM)	
67	SO2	O				Serial data output	155	A01		O		
68	SO3	O					Serial data output	156	A02	O		
69	SO4	O	Serial data output					157	A03	O		
70	SO5	O						Serial data output	158	A04		O
71	SO6	O							Serial data output	159		A05
72	SO7	O		Serial data output						160		A06
73	Vss				Ground					161	A07	O
74	DB00	I/O			Parallel data bus	162				A08	O	
75	DB01	I/O				Parallel data bus	163			A09	O	Memory address (SRAM, PSRAM, DRAM)
76	DB02	I/O	Parallel data bus		164		Vss				Ground	
77	DB03	I/O			Parallel data bus	165	Vdd			Power supply (3.3 V)		
78	DB04	I/O	Parallel data bus			166	A10	O	Memory address (SRAM, PSRAM, DRAM)			
79	DB05	I/O		Parallel data bus	167	A11	O					
80	DB06	I/O	Parallel data bus		168	A12	O	Memory address (SRAM, PSRAM)				
81	DB07	I/O		Parallel data bus	169	A13	O					
82	DB08	I/O	Parallel data bus		170	A14	O	Memory address (SRAM, PSRAM)				
83	DB09	I/O		Parallel data bus	171	A15/RAS	O					
84	DB10	I/O	Parallel data bus		172	A16/CAS	O	Memory address (SRAM, PSRAM), /RAS (DRAM)				
85	DB11	I/O		Parallel data bus	173	A17/CE	O	Memory address (SRAM), /CAS (DRAM)				
86	DB12	I/O	Parallel data bus		174	/WE	O	Memory write enable signal				
87	Vdd			Power supply (5 V)	175	/OE	O	Memory output enable signal				
88	Vdd		Power supply (3.3 V)	176	Vdd		Power supply (5 V)					

● YSS919-H (XZ693A00) DSP7 (Digital Signal Processor)

MAIN: IC412

PIN NO.	NAME	I/O	FUNCTION	PIN NO.	NAME	I/O	FUNCTION	
1	PLLEN	I	PLL enable input (0: PLL unuse, 1: PLL use)	105	SIO32	I/O	Serial data bus	
2	/TEST	I	Test mode setting (0: TEST, 1: Normal)	106	SIO33	I/O		
3	AVss	I	Analog ground	107	SIO34	I/O		
4	CPO	I	PLL filter	108	SIO35	I/O		
5	AVdd	I	Power supply (2.5 V)	109	SIO36	I/O		
6	Vss	I	Ground	110	SIO37	I/O		
7	Vdd	I	Power supply (3.3 V)	111	SIO38	I/O		
8	/IC	I	Initial clear	112	SIO39	I/O		
9	/MUTE	I	Mute control (0: SIO mute, 1: SIO normal in-out)	113	Vdd	I/O		Power supply (2.5 V)
10	/SSYNC	I	Serial I/O Sync. signal input	114	Vss	I/O		
11	MCKS	I	Serial I/O master clock input (128 x Fs)	115	SIO40	I/O	Serial data bus	
12	XI	I	System master clock input (60 MHz or 15 MHz)	116	SIO41	I/O		
13	BTYP	I	Data bus type select (0: 16 bits, 1: 32 bits)	117	SIO42	I/O		
14	/CS	I	Chip select	118	SIO43	I/O		
15	/WR	I	Write enable input	119	SIO44	I/O		
16	/RD	I	Read enable input	120	SIO45	I/O	Power supply (3.3 V)	
17	CA7	I	CPU address bus	121	SIO46	I/O		
18	CA6	I		122	SIO47	I/O		
19	CA5	I	Ground	123	Vss	I/O		
20	CA4	I		124	Vdd	I/O		
21	CA3	I	Power supply (3.3 V)	125	SIO48	I/O		
22	CA2	I		126	SIO49	I/O		
23	Vss	I	Ground	127	SIO50	I/O		
24	Vdd	I		128	SIO51	I/O		
25	CD31/CA1	I/O	CPU data bus / CPU address bus	129	SIO52	I/O	Serial data bus	
26	CD30	I/O	CPU data bus	130	SIO53	I/O		
27	CD29	I/O		131	SIO54	I/O		
28	CD28	I/O		132	SIO55	I/O		
29	CD27	I/O		133	Vss	I/O	Ground	
30	CD26	I/O		134	SIO56	I/O		
31	CD25	I/O	Power supply (2.5 V)	135	SIO57	I/O		
32	CD24	I/O		136	SIO58	I/O		
33	Vdd	I	Ground	137	SIO59	I/O		
34	Vss	I		138	SIO60	I/O		
35	CD23	I/O	CPU data bus	139	SIO61	I/O		
36	CD22	I/O		140	SIO62	I/O		
37	CD21	I/O		141	SIO63	I/O		
38	CD20	I/O		142	Vdd	I/O	Power supply (2.5 V)	
39	CD19	I/O		143	Vss	I/O		
40	CD18	I/O	Ground	144	Vdd	I/O		
41	CD17	I/O		145	DA00	I/O	Power supply (3.3 V)	
42	CD16	I/O	Ground	146	DA01	I/O		
43	Vss	I		147	DA02	I/O		
44	Vdd	I	Power supply (3.3 V)	148	DA03	I/O		
45	CD15	I/O		149	DA04	I/O		
46	CD14	I/O	CPU data bus	150	DA05	I/O		
47	CD13	I/O		151	DA06	I/O		
48	CD12	I/O		152	DA07	I/O		
49	CD11	I/O		153	Vss	I/O	Ground	
50	CD10	I/O		154	DA08	I/O		
51	CD09	I/O	CPU data bus	155	DA09	I/O		
52	CD08	I/O		156	DA10	I/O		
53	Vss	I		Ground	157	DA11	I/O	
54	CD07	I/O			158	DA12	I/O	
55	CD06	I/O		Power supply (3.3 V)	159	DA13	I/O	
56	CD05	I/O	160		DA14	I/O		
57	CD04	I/O	CPU data bus	161	DA15	I/O		
58	CD03	I/O		162	Vss	I/O		
59	CD02	I/O	Ground	163	Vdd	I/O		
60	CD01	I/O		164	DA16	I/O		
61	CD00	I/O	Wait output	165	DA17	I/O		
62	/WAIT	O		166	DA18	I/O		
63	Vdd	I		167	DA19	I/O		
64	Vss	I		Power supply (2.5 V)	168	DA20	I/O	
65	Vdd	I			169	DA21	I/O	
66	SIO00	I/O	Power supply (3.3 V)	170	DA22	I/O		
67	SIO01	I/O		171	DA23	I/O		
68	SIO02	I/O	Serial data bus	172	Vdd	I/O		
69	SIO03	I/O		173	Vss	I/O		
70	SIO04	I/O		Ground	174	DA24	I/O	
71	SIO05	I/O			175	DA25	I/O	
72	SIO06	I/O		Power supply (2.5 V)	176	DA26	I/O	
73	SIO07	I/O	177		DA27	I/O		
74	Vss	I	Ground	178	DA28	I/O		
75	SIO08	I/O		179	DA29	I/O		
76	SIO09	I/O	Serial data bus	180	DA30	I/O		
77	SIO10	I/O		181	DA31	I/O		
78	SIO11	I/O		Ground	182	Vss	I/O	
79	SIO12	I/O			183	Vdd	I/O	
80	SIO13	I/O		Power supply (3.3 V)	184	/WE	O	
81	SIO14	I/O	185		/CAS	O		
82	SIO15	I/O	Ground	186	SDCK	O		
83	Vss	I		187	CKE	O		
84	Vdd	I	Power supply (3.3 V)	188	/RAS	O		
85	SIO16	I/O		189	Vdd	O		
86	SIO17	I/O	Serial data bus	190	Vss	O		
87	SIO18	I/O		191	BA1	O		
88	SIO19	I/O		192	BA0	O		
89	SIO20	I/O		193	A12	O		
90	SIO21	I/O		194	A11	O		
91	SIO22	I/O	Memory address (SDRAM, DRAM)	195	A10	O		
92	SIO23	I/O		196	A09	O		
93	Vdd	I	Power supply (2.5 V)	197	A08	O		
94	Vss	I		198	Vss	O		
95	SIO24	I/O	Ground	199	Vdd	O		
96	SIO25	I/O		200	A07	O		
97	SIO26	I/O	Serial data bus	201	A06	O		
98	SIO27	I/O		202	A05	O		
99	SIO28	I/O		203	A04	O		
100	SIO29	I/O		204	A03	O		
101	SIO30	I/O		205	A02	O		
102	SIO31	I/O	206	A01	O			
103	Vss	I	Ground	207	A00	O		
104	Vdd	I		208	Vss	O		

● LR38791 (XY631A00) Gate Array

SUB-CPU: IC302

PIN NO.	NAME	I/O	FUNCTION	PIN NO.	NAME	I/O	FUNCTION
1	FB17	O	Fader control	65	LED8	O	LED control
2	GND		Ground	66	GND		Ground
3	GND			67	GND		
4	V _{DD}		Power supply	68	V _{DD}		Power supply
5	V _{DD}			69	V _{DD}		
6	SD0	I/O		70	LED9	O	
7	SD1	I/O		71	LED10	O	
8	SD2	I/O		72	LED11	O	
9	SD3	I/O	System data bus	73	LED12	O	LED control
10	SD4	I/O		74	LED13	O	
11	SD5	I/O		75	LED14	O	
12	SD6	I/O		76	LED15	O	
13	SD7	I/O		77	TESTO_DC	O	Test pin
14	GND		Ground	78	GND		Ground
15	SD8	I/O		79	RA1	I	
16	SD9	I/O		80	RB1	I	
17	SD10	I/O		81	RA2	I	
18	SD11	I/O	System data bus	82	RB2	I	
19	SD12	I/O		83	RA3	I	
20	SD13	I/O		84	RB3	I	Encoder Input
21	SD14	I/O		85	RA4	I	
22	SD15	I/O		86	RB4	I	
23	V _{DD}		Power supply	87	RA5	I	
24	SA0	I		88	RB5	I	
25	SA1	I	System address bus	89	GND		Ground
26	SA2	I		90	FA1	O	
27	XSRD	I	Read	91	FB1	O	
28	XSWR	I	Write	92	FA2	O	
29	XCS1	I		93	FB2	O	Fader control
30	XCS2	I	Chip select	94	FA3	O	
31	XCS3	I		95	FB3	O	
32	XRST	I	Reset	96	FA4	O	
33	XFDRST	I	Fader reset	97	FB4	O	
34	V _{DD}		Power supply	98	V _{DD}		Power supply
35	V _{DD}			99	V _{DD}		
36	GND		Ground	100	GND		Ground
37	GND			101	GND		
38	CKI	I	System clock input	102	FA5	O	
39	KD0	I		103	FB5	O	
40	KD1	I		104	FA6	O	
41	KD2	I		105	FB6	O	Fader control
42	KD3	I	KEY control	106	FA7	O	
43	KD4	I		107	FB7	O	
44	KD5	I		108	FA8	O	
45	KD6	I		109	FB8	O	
46	KD7	I		110	V _{DD}		Power supply
47	TESTSHM	I	Test pin	111	FA9	O	
48	KD8	I		112	FB9	O	
49	KD9	I		113	FA10	O	
50	KD10	I		114	FB10	O	Fader control
51	KD11	I	KEY control	115	FA11	O	
52	KD12	I		116	FB11	O	
53	KD13	I		117	FA12	O	
54	KD14	I		118	FB12	O	
55	KD15	I		119	GND		Ground
56	GND		Ground	120	FA13	O	
57	LED0	O		121	FB13	O	
58	LED1	O		122	FA14	O	
59	LED2	O		123	FB14	O	
60	LED3	O	LED control	124	FA15	O	Fader control
61	LED4	O		125	FB15	O	
62	LED5	O		126	FA16	O	
63	LED6	O		127	FB16	O	
64	LED7	O		128	FA17	O	

● LR38792 (XY630A00) Gate Array

MAIN: IC606

PIN NO.	NAME	I/O	FUNCTION	PIN NO.	NAME	I/O	FUNCTION	
1	SA4	I	System address bus signal	65	FS128	O	Clock	
2	GND		Ground	66	GND		Ground	
3	GND							
4	V _{DD}		Power supply	68	V _{DD}		Power supply	
5	V _{DD}							
6	SD0	I/O	System data bus	70	XFS64	O	Clock	
7	SD1	I/O						
8	SD2	I/O						
9	SD3	I/O						
10	SD4	I/O						
11	SD5	I/O						
12	SD6	I/O						
13	SD7	I/O	Ground	77	WCBNC	I	Power supply	
14	GND							
15	SD8	I/O	System data bus	79	MCK0	O	Clock	
16	SD9	I/O						
17	SD10	I/O						
18	SD11	I/O						
19	SD12	I/O						
20	SD13	I/O						
21	SD14	I/O						
22	SD15	I/O	Power supply	86	VC049I	I	VCO	
23	V _{DD}							
24	MTCOUT	O	MTC out	87	PDOUT49	O	Ground	
25	MTCIN	I	MTC in					
26	FLSD	O	FL data	89	SCANEN	I	Test pin	
27	FLXCS	O	FL chip select					
28	FLSCK	O	FL clock	90	TESTMODE	I		
29	GND		Ground	91	TEST0_DC	O		
30	PA0	I/O	Port A	92	XSCS30	O	Chip select	
31	PA1	I/O						
32	PA2	I/O						
33	PA3	I/O						
34	V _{DD}		Power supply	94	XSCS32	O	Power supply	
35	V _{DD}							
36	GND		Ground	96	XSCS34	O	Ground	
37	GND							
38	PA4	I/O	Port A	97	XSCS35	O	Chip select	
39	PA5	I/O						
40	PA6	I/O						
41	PA7	I/O						
42	PB0	I/O						
43	PB1	I/O						
44	PB2	I/O						
45	PB3	I/O	Port B	98	V _{DD}		Power supply	
46	PB4	I/O						
47	PB5	I/O						
48	PB6	I/O						
49	PB7	I/O						
50	GND							
51	PX0	O		Port X	99	V _{DD}		
52	PX1	O						
53	PX2	O						
54	PX3	O						
55	PY0	I/O	Port Y	100	GND		Ground	
56	PY1	I/O						
57	PY2	I/O						
58	PY3	I/O						
59	PY4	I/O						
60	PY5	I/O						
61	PY6	I/O						
62	PY7	I/O	Ground	101	GND		Ground	
63	FS512	O						
64	FS256	O	Clock	102	XSCS36	O	Chip select	
				103	XSCS37A	O		
				104	XSCS37B	O		
				105	XSCS10	O		
				106	XSCS11	O		
				107	XSCS12	O		
				108	XSCS13	O		
				109	XSCS14	O		
				110	XSCS15	O		
				111	XSCS16	O		
				112	XSCS17	O		
				113	XTCL	I		Test pin
				114	XRST	I		Reset
				115	XCS1	I		Chip select
				116	XCS3	I		
				117	XSCS	I		Read
				118	XSRD	I		
				119	XSWR	I	Power supply	
				120	V _{DD}		System address bus signal	
				121	SA18	I		
				122	SA19	I		
				123	SA20	I		
				124	SA21	I		
				125	SA0	I		
				126	SA1	I		
				127	SA2	I		
				128	SA3	I		

● S1R72104F00A100 (XY625A00) SCSI Control

MAIN: IC719

PIN NO.	NAME	I/O	FUNCTION	PIN NO.	NAME	I/O	FUNCTION
1	LVDD		Power supply +3.3V	51	LVDD		Power supply +3.3V
2	EXCLK	I	External clock input	52	PD11	I/O	Port DMA data bus
3	Vss		Ground	53	PD4	I/O	
4	OSCIN	I	Oscillator input	54	PD10	I/O	
5	OSCOU	O	Oscillator output	55	PD5	I/O	
6	LVDD		Power supply +3.3V	56	PD9	I/O	
7	CLKSELO	I	Input clock select	57	PD6	I/O	
8	CLKSEL1	I	System clock select	58	PD8	I/O	
9	VC	O	Internal VCO control	59	PD7	I/O	
10	XPLLPD	I	PLL power down input	60	Vss		
11	PLLCT0	I	PLL control	61	XSIO	I/O	SCSI I/O signal (Low active)
12	PLLCT1	I		62	HVDD		Power supply +5V
13	TESTMON	O	Test monitor output	63	XSREQ	I/O	SCSI REQ signal (Low active)
14	TESTEN	I	Test input	64	Vss		Ground
15	DB0	I/O	Data bus	65	XSCD	I/O	SCSI C/D signal (Low active)
16	DB1	I/O		66	XSSEL	I/O	SCSI SEL signal (Low active)
17	DB2	I/O		67	Vss		Ground
18	DB3	I/O		68	XSMMSG	I/O	SCSI MSG signal (Low active)
19	HVDD		Power supply +5V	69	XSRST	I/O	SCSI RST signal (Low active)
20	DB4	I/O	Data bus	70	Vss		Ground
21	DB5	I/O		71	XSACK	I/O	SCSI ACK signal (Low active)
22	DB6	I/O		72	HVDD		Power supply +5V
23	DB7	I/O		73	XBSY	I/O	SCSI BSY signal (Low active)
24	AD0	I	Address bus	74	NC		Not used
25	Vss		Ground	75	Vss		Ground
26	LVDD		Power supply +3.3V	76	HVDD		Power supply +5V
27	AD1	I	Address bus	77	XSATN	I/O	SCSI ATN signal (Low active)
28	AD2	I		78	Vss		Ground
29	AD3	I		79	XSDBP	I/O	SCSI data parity (Low active)
30	AD4	I		80	HVDD		Power supply +5V
31	XWR	I	Data write (Low active)	81	XSDB7	I/O	SCSI data bus (Low active)
32	XRD	I	Data read (Low active)	82	Vss		Ground
33	XRESET	I	System reset (Low active)	83	NC		Not used
34	XINT	O	Interrupt request (Low active)	84	XSDB6	I/O	SCSI data bus (Low active)
35	XCS	I	Chip select (Low active)	85	HVDD		Power supply +5V
36	Vss		Ground	86	XSDB5	I/O	SCSI data bus (Low active)
37	XPDAK	I/O	Port DMA acknowledge	87	Vss		Ground
38	XPRD	I/O	Port read (Low active)	88	XSDB4	I/O	SCSI data bus (Low active)
39	XPWR	I/O	Port write (Low active)	89	HVDD		Power supply +5V
40	PDREQ	I/O	Port DMA request (Low active)	90	XSDB3	I/O	SCSI data bus (Low active)
41	PD15	I/O	Port DMA data bus	91	Vss		Ground
42	PD0	I/O		92	XSDB2	I/O	SCSI data bus (Low active)
43	PD14	I/O		93	NC		Not used
44	PD1	I/O		94	HVDD		Power supply +5V
45	HVDD		Power supply +5V	95	XSDB1	I/O	SCSI data bus (Low active)
46	PD13	I/O	Port DMA data bus	96	Vss		Ground
47	PD2	I/O		97	XSDB0	I/O	SCSI data bus (Low active)
48	PD12	I/O		98	HVDD		Power supply +5V
49	PD3	I/O		99	NC		Not used
50	Vss		Ground	100	Vss		Ground

● **AK4528VF (XY624A00) ADC/DAC**

MAIN: IC301, 304, 307, 310

PIN NO.	NAME	I/O	FUNCTION	PIN NO.	NAME	I/O	FUNCTION
1	VCOM	O	Common voltage output	15	CKS0	I	Master clock select
2	AINR+	I	Rch positive analog input	16	CKS1	I	
3	AINR-	I	Rch negative analog input	17	DIF	I	Digital audio interface select
4	AINL+	I	Lch positive analog input	18	DFS	I	Double speed sampling mode
5	AINL-	I	Lch negative analog input	19	PDN	I	Power-down mode
6	VREF	I	Volatge reference	20	DEM0	I	De-emphasis control
7	AGND		Analog ground	21	DEM1	I	
8	VA		Analog power supply	22	VT		Outpt buffer power supply
9	P/S	I	Parallel/serial mode select	23	VD		Digital power supply
10	MCLK	I	Master clock	24	DGND		Digital ground
11	LRCK	I	Input/Output channel clock	25	AOUTL-	O	Lch negative analog output
12	BICK	I	Audio serial data clock	26	AOUTL+	O	Lch positive analog output
13	SDTO	O	Audio serial data output	27	AOUTR-	O	Rch negative analog output
14	SDTI	I	Audio serial data input	28	AOUTR+	O	Rch positive analog output

● **MBCG46183-129 (XV833A00) Gate Array**

MAIN: IC604

PIN NO.	NAME	I/O	FUNCTION	PIN NO.	NAME	I/O	FUNCTION
1	D5	I/O	Data Bus	25	TX31	O	Transmit Data 31
2	D6	I/O		26	RX32	I	Receive Data 32
3	D7	I/O		27	TX32	O	Transmit Data 32
4	/IRQ0	I/O	Interrupt Request Port 0	28	RX33	I	Receive Data 33
5	/IRQ1	I/O	Interrupt Request Port 1	29	TX33	I/O	Transmit Data 33
6	Vss		Ground	30	/IC	I	Initial Clear
7	/IRQ2	I/O	Interrupt Request Port 2	31	Vss		Ground
8	/IRQ3	I/O	Interrupt Request Port 3	32	XI	I	Quartz Crystal Input
9	/RD	I	Read Signal Input	33	Vss		Ground
10	/WR	I	Wright Signal Input	34	XO	I/O	Quartz Crystal Output
11	/CE	I	Chip Enable Input	35	A0	I	Address Bus
12	/ASTB	I	Address Strobe (Not used: to ground)	36	A1	I	
13	TESTSIO	I	Input with Pull-down Resistor (50k)	37	A2	I	
14	RX0	I	Receive Data 0	38	A3	I	
15	TX0	O	Transmit Data 0	39	A4	I	
16	RX1	I	Receive Data 1	40	A5	I	CPU Clock
17	TX1	O	Transmit Data 1	41	CPUCLK	I	
18	Vss		Ground	42	Vss		
19	Vdd		Power Supply	43	VDD		Power Supply
20	RX2	I	Receive Data 2	44	D0	I/O	Data Bus
21	TX2/BO2	O	Transmit Data 2	45	D1	I/O	
22	RX30	I	Receive Data 30	46	D2	I/O	
23	TX30	O	Transmit Data 30	47	D3	I/O	
24	RX31	I	Receive Data 31	48	D4	I/O	

● **DS12887 (XV618A00) Real Time Clock**

MAIN: IC608

PIN NO.	NAME	I/O	FUNCTION	PIN NO.	NAME	I/O	FUNCTION
1	MOT	I	Bus type selection	13	/CS	I	Chip select
2	N.C			14	AS	I	Address strobe
3	N.C		Multiplexed address / Data bus	15	R//W	I	Read / Write
4	AD0	I/O		16	N.C		Data strobe
5	AD1	I/O		17	DS	I	
6	AD2	I/O		18	/RESET	I	Reset
7	AD3	I/O		19	/IRQ	O	Interrupt request
8	AD4	I/O		20	N.C		Square wave Power supply +5 V
9	AD5	I/O		21	N.C		
10	AD6	I/O	22	N.C			
11	AD7	I/O	23	SQW	O		
12	GND		Ground	24	Vcc		

● **YM3436DK (XG948E00) DIR2 (Digital Format Interface Receiver)**

MAIN: IC408

PIN NO.	NAME	I/O	FUNCTION	PIN NO.	NAME	I/O	FUNCTION
1	DAUX	I	Auxiliary input for audio data	23	RSTN	I	System reset input
2	HDLT	O	Asynchronous buffer operation flag	24	VDDA		VCO section power (+5 V)
3	DOUT	O	Audio data output	25	CTLN	I	VCO control input N
4	VFL	O	Parity flag output	26	PCO	O	PLL phase comparison output
5	OPT	O	Fs x 1 Synchronous output signal for DAC	27	(NC)		
6	SYNC	O	Fs x 1 Synchronous output signal for DSP	28	CTLP	I	VCO control input P
7	MCC	O	Fs x 64 Bit clock output	29	VSSA		VCO section power (GND)
8	WC	O	Fs x 1 Word clock output	30	TSTN	I	Test terminal. Open for normal use
9	MCB	O	Fs x 128 Bit clock output	31	KM2	I	Clock mode switching input 2
10	MCA	O	Fs x 256 Bit clock output	32	KM0	I	Clock mode switching input 0
11	SKSY	I	Clock synchronization control input	33	FS1	O	Channel status sampling frequency display output 1
12	XI	I	Crystal oscillator connection or external clock input	34	FS0	O	Channel status sampling frequency display output 0
13	XO	O	Crystal oscillator connection	35	CSM	I	Channel status output method selection
14	P256	O	VCO oscillating clock connection	36	EXTW	I	External synchronous auxiliary input word clock
15	LOCKN	O	PLL lock flag	37	DDIN	I	EIAJ (AES/EBU) data input
16	VSS		Logic section power (GND)	38	LR	O	PLL word clock output
17	TST2	O	PLL time constant switching output	39	VDD		Logic section power (+5 V)
18	DIM1	I	Data input mode selection	40	ERR	O	Data error flag output
19	DIM0	I	Data input mode selection	41	EMP	O	Channel status emphasis control code output
20	DOM1	I	Data output mode selection	42	CDO	O	3-wire type microcomputer interface data output
21	DOM0	I	Data output mode selection	43	CCK	I	3-wire type microcomputer interface clock input
22	KM1	I	Clock mode switching input 1	44	CLD	I	3-wire type microcomputer interface load input

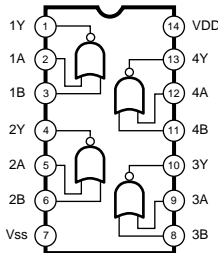
● **YM3437C-F (XM530A00) DIT2 (Digital Format Interface Transmitter)**
YM3437C-FE2 (XW060A00) DIT2 (Digital Format Interface Transmitter)

MAIN: IC409

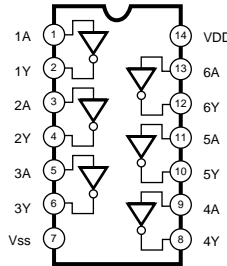
PIN NO.	NAME	I/O	FUNCTION	PIN NO.	NAME	I/O	FUNCTION	
1	VSS		Ground	9	MUTE	I	Mute	
2	MCLK	I	Master clock input	10	VFL	I	Validity flag	
3	DM0	I	DIN/BCLK/WCLK format select DM1,DM0=0,0 DSP,LDSP (64 bit,LSB first) DM1,DM0=0,1 stereo,DSP (64 bit,MSB first) DM1,DM0=1,0 DSP2 (128 bit,MSB first) DM1,DM0=1,1 BB (64 bit,MSB first)	11	CCK/CCB	I	C,U bit clock input/C bit data input	
4	DM1	I		12	CIN/USB	I	C,U bit data input/U bit data input	
5	RSTN	I		System reset	13	CLD/AUXTN	I	End of C,U bit input/16,20 bit/24 bit select
6	WCIN	I		Word clock input	14	CNTR/BLKIN	I	32 bit counter reset/Top of block
7	DIN	I	Digital audio serial data input	15	CSM	I	Channel status input mode select CSM=0 Asynchronous mode, CSM=1 Synchronous mode	
8	VDD		Power supply (+5 V)	16	DOUT	O	Digital interface formatted data output	

IC BLOCK DIAGRAM

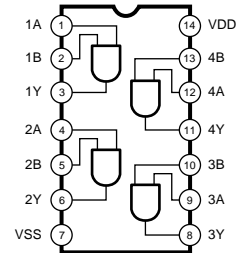
- **HD74HC02FPEL** (XL091A00)
SN74HC02NSR (XW791A00)
Quad 2 Input NOR
MAIN: IC421



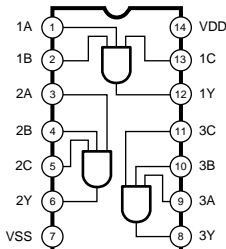
- **TC74VHC04FT** (X0195A00)
74VHC04MTCX (X0292A00)
TC74HCT04AF-T1 (XI297A00)
HD74LS06FPEL (XH610A00)
Hex Inverter
MAIN: IC515, 727
SUB-FADER: IC101, 102



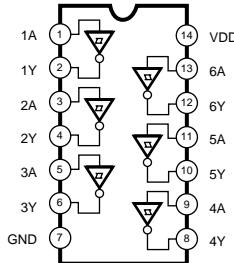
- **TC74VHC08FT** (XV891A00)
Quad 2 Input AND
MAIN: IC721



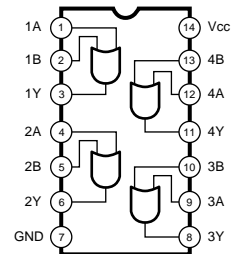
- **TC74VHC11FT** (X0197A00)
Triple 3 Input AND
MAIN: IC722, 724



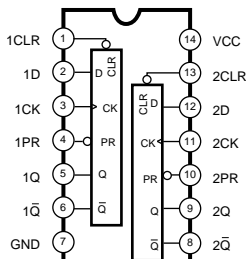
- **HD74HC14FPEL** (XL094A00)
MM74HC14SJX (XW104A00)
Hex Inverter
SUB-CPU: IC202



- **TC74VHC32FT** (XY945A00)
Quad 2 Input OR
MAIN: IC726

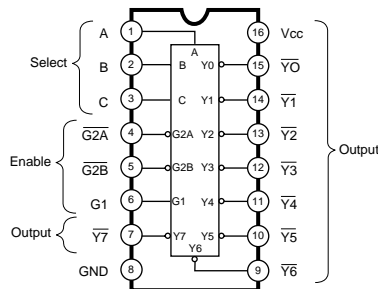


- **TC74VHC74FT** (XV892A00)
Dual D-Type Flip-Flop
MAIN: IC423, 725, 728, 729

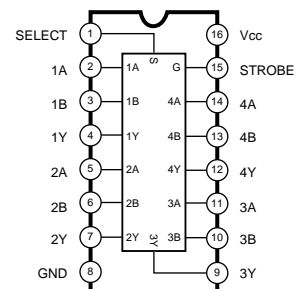


INPUTS				OUTPUTS	
PR	CLR	CLK	D	Q	Q̄
L	H	X	X	H	L
H	L	X	X	L	H
L	L	X	X	H	H
H	H	f	H	H	L
H	H	f	L	L	H
H	H	L	X	Q _o	Q _o

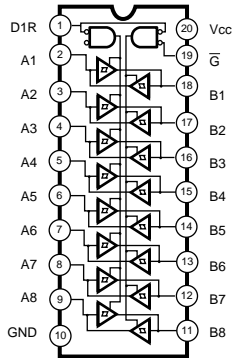
- **TC74VHC138FT** (XZ495A00)
3 to 8 Demultiplexer
MAIN: IC707



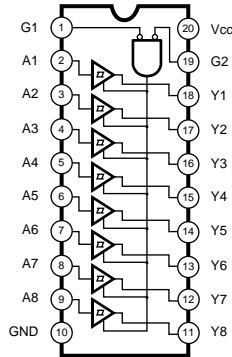
- **TC74VHC157FT** (X0199A00)
74VHC157MTCX (X0293A00)
Quad 2 to 1 Multiplexer
MAIN: IC713-715



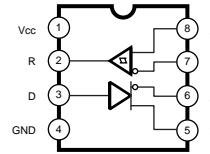
- **TC74VHCT245AFT** (XT744A00)
TC74VHC245FT (XU797A00)
TC74HC245AF (XS720A00)
MM74HC245ASJX (XW107A00)
 Octal 3-State Bus Transceiver
 MAIN: IC401, 402, 506, 509-512, 607,
 709, 710, 712, 716-718



- **TC74VHCT541AFT** (XZ744A00)
74VHCT541AMTCX (X0301A00)
 Octal 3-State Buffer
 MAIN: IC507, 508, 513



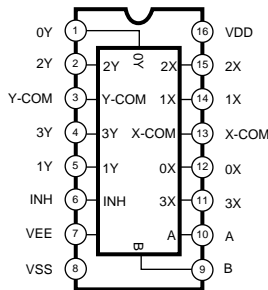
- **SN75179BPSR** (XT619A00)
 Line Driver
 MAIN: IC413



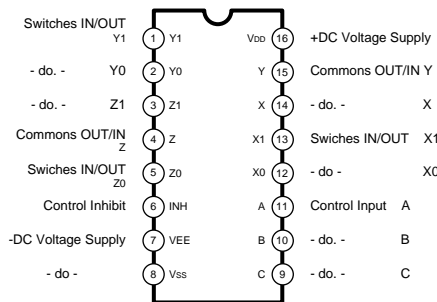
Driver		Receiver	
INPUTS	OUTPUTS	DIFFERENTIAL INPUT	OUTPUTS
D	Y	A-B	R
H	H	$V_{id} \geq 0.2V$	H
L	L	$-0.2V < V_{id} < 0.2V$?
		$V_{id} \leq -0.2V$	L

H: "H" Level
 L: "L" Level
 ?: Indeterminate

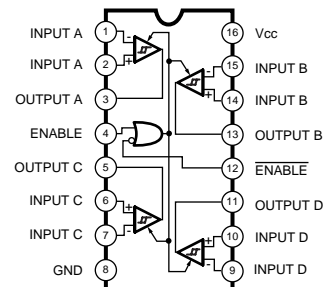
- **TC74HC4052AF** (XS790A00)
MM74HC4052SJX (XY876A00)
 Differential 4-Channel
 Multiplexer/Demultiplexer
 SUB-FADER: IC107



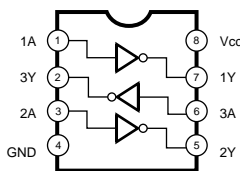
- **TC74HC4053AFT** (XV944A00)
 Triple 2-Channel
 Multiplexer/Demultiplexer
 MAIN: IC601



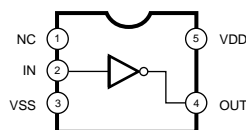
- **DS26C32ATMX** (XU815A00)
 Quad Differential Line Receiver
 MAIN: IC603



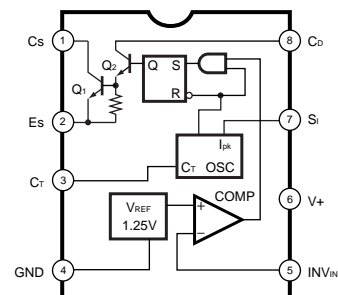
- **TC7WU04F** (XN567A00)
 Triple Inverter
 MAIN: IC422, 609, 610, 723



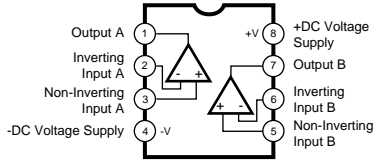
- **TC7S04F** (XM182A00)
 Inverter Gate
 MAIN: IC514



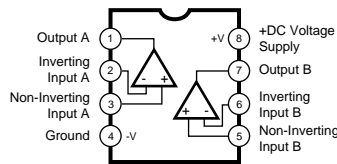
- **NJM2360AM** (X0200A00)
 DC-DC Converter
 SUB-INV: IC501



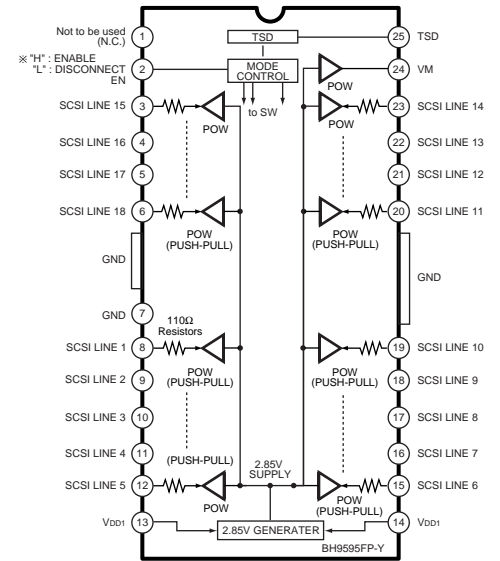
- **NJM2068MD-T1** (XJ553A00)
NJM4556AMT1 (XQ138A00)
μPC4570G2 (XF291A00)
 Dual Operational Amplifier
 MAIN: IC101-108, 201-208, 209, 302, 303,
 305, 306, 308, 309, 311, 312,
 313-315



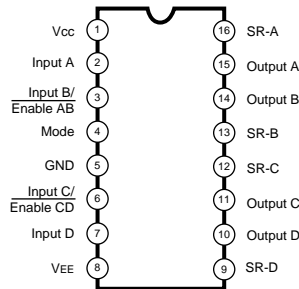
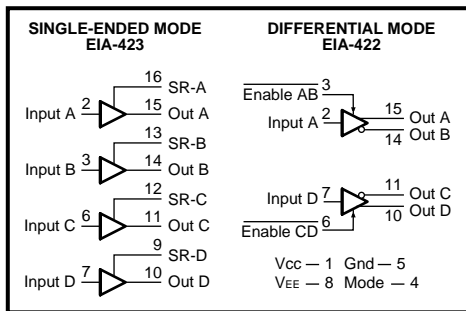
- **NJM2904M** (XV190A00)
 Dual Operational Amplifier
 MAIN: IC420



- **BH9595FP-Y** (XV617A00)
 SCSI Terminator
 MAIN: IC720



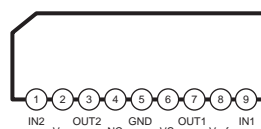
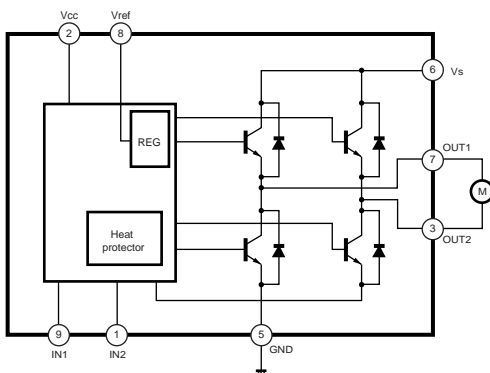
- **MC26LS30D** (XL334A00)
 Line Driver
 MAIN: IC602



Operation	Vcc	VEE	Inputs				Outputs					
			Mode	A	B	C	D	A	B	C	D	
Differential (EIA-422-A)	+5.0	GND	0	0	0	0	0	1	1	0	0	
			0	1	0	0	1	1	0	0	1	
			0	X	1	0	1	Z	Z	0	0	1
			0	1	0	0	0	1	0	1	0	0
			0	0	0	0	1	0	1	0	1	0
Single-Ended (EIA-423-A)	+5.0	-5.0	1	0	0	0	0	0	0	0	0	
			1	1	0	0	0	1	0	0	0	
			1	0	1	0	0	0	1	0	0	
			1	0	0	1	0	0	0	1	0	
X	0	X	X	X	X	X	Z	Z	Z	Z		

X = Don't Care
 Z = High Impedance (Off)

- **TA7291S** (XF557A00)
 Motor Driver
 SUB-FADER: IC103-106, 108-112

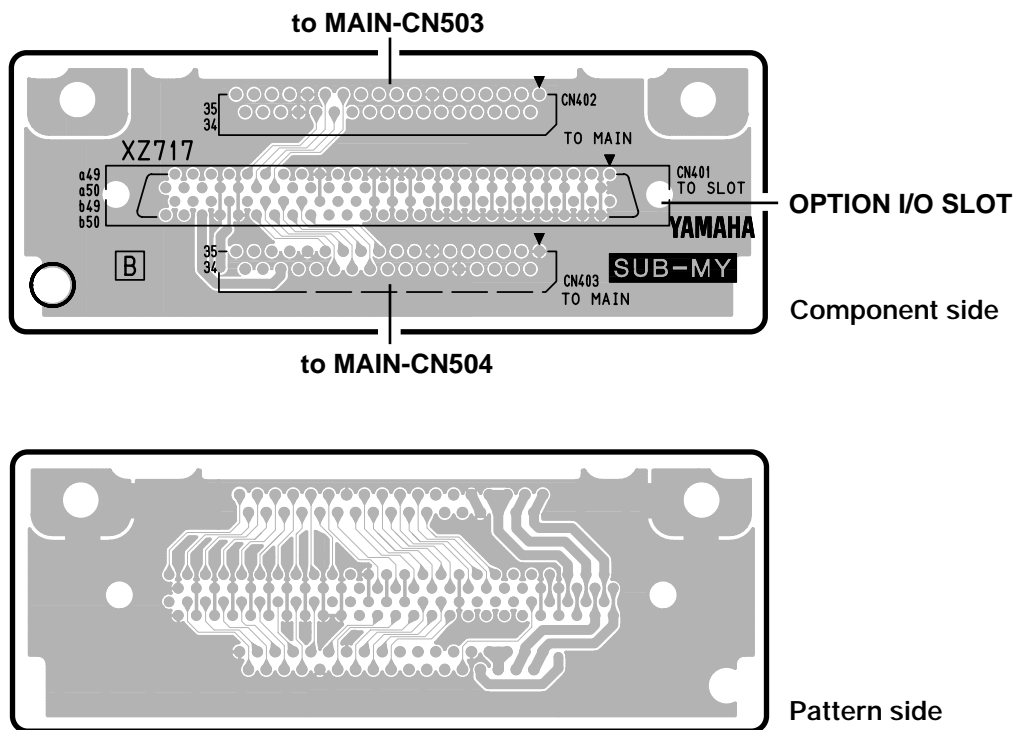


■ CIRCUIT BOARDS

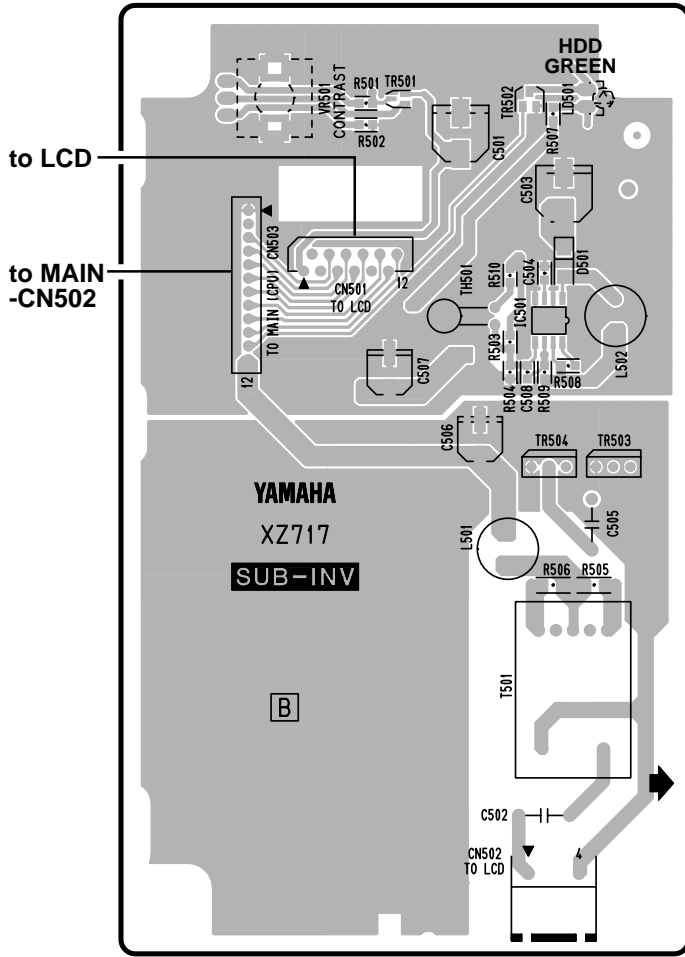
SUB-MY Circuit Board (XZ717B0)	50
SUB-INV Circuit Board (XZ717B0)	51
MAIN Circuit Board (XZ715B0)	52/54
PN Circuit Board (XZ716B0)	56
SUB-CPU Circuit Board (XZ717B0)	58
SUB-FADER Circuit Board (XZ717B0)	60/61

Note: See parts list for details of circuit board component parts.

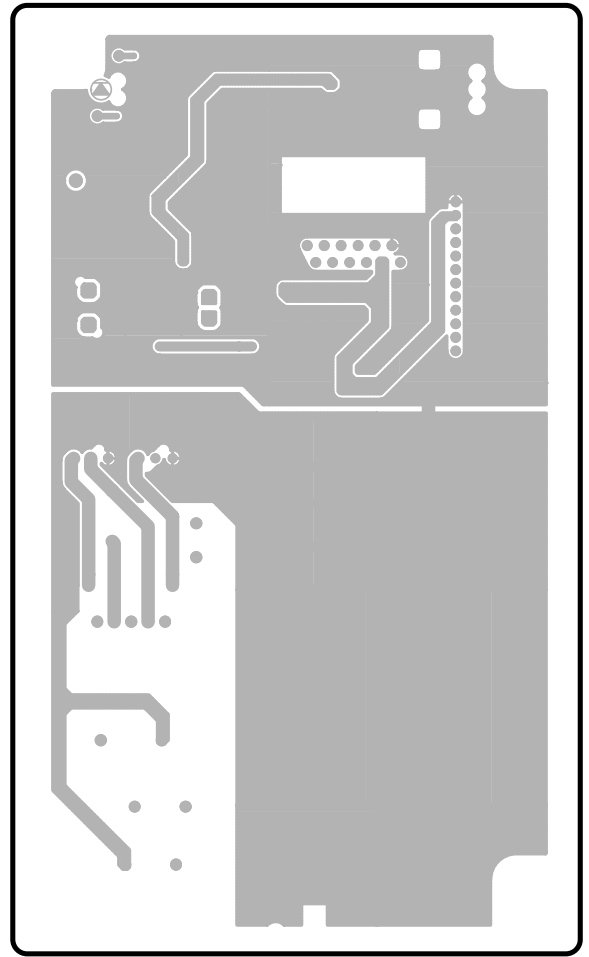
● SUB-MY Circuit Board



• SUB-INV Circuit Board

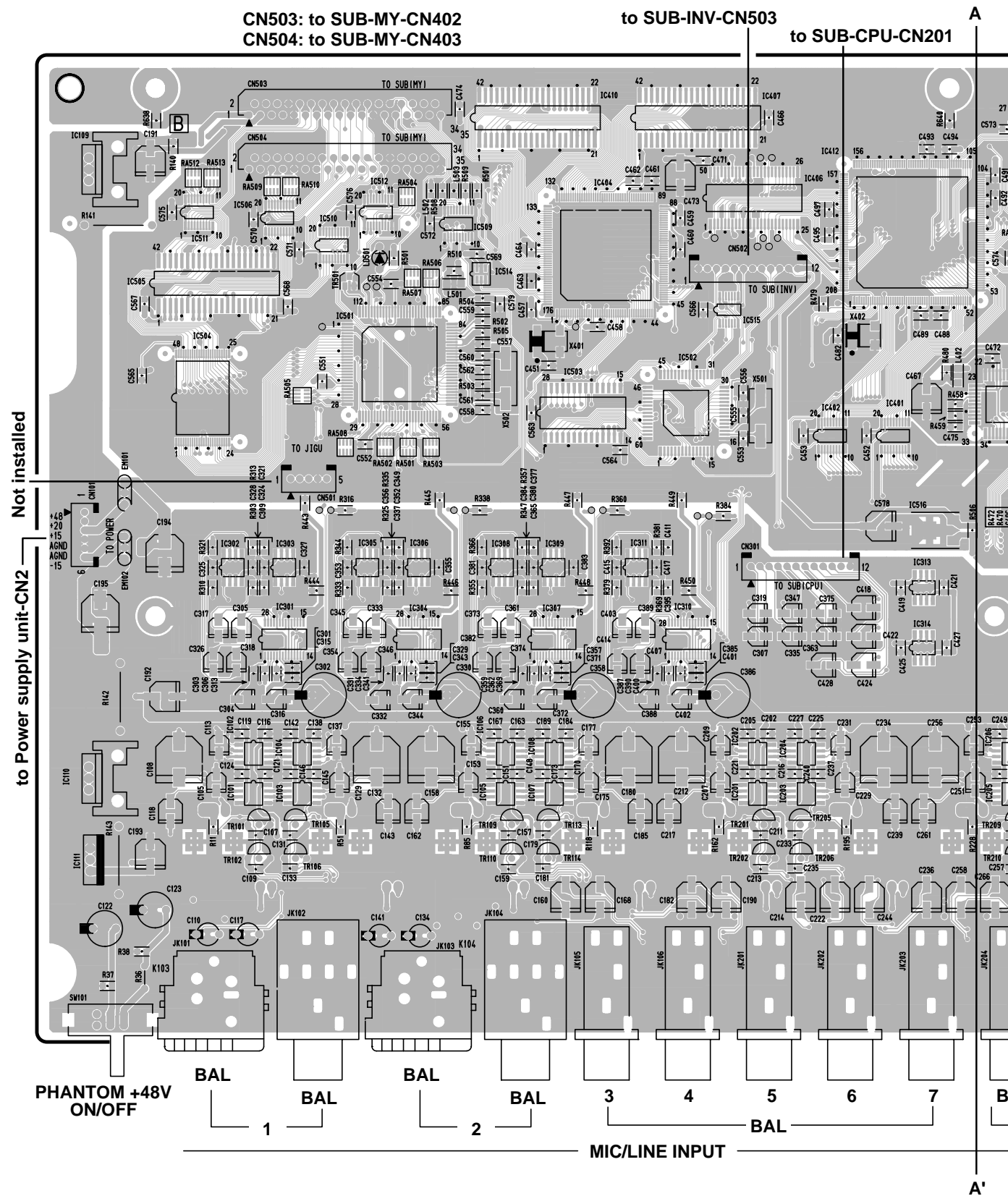


Component side



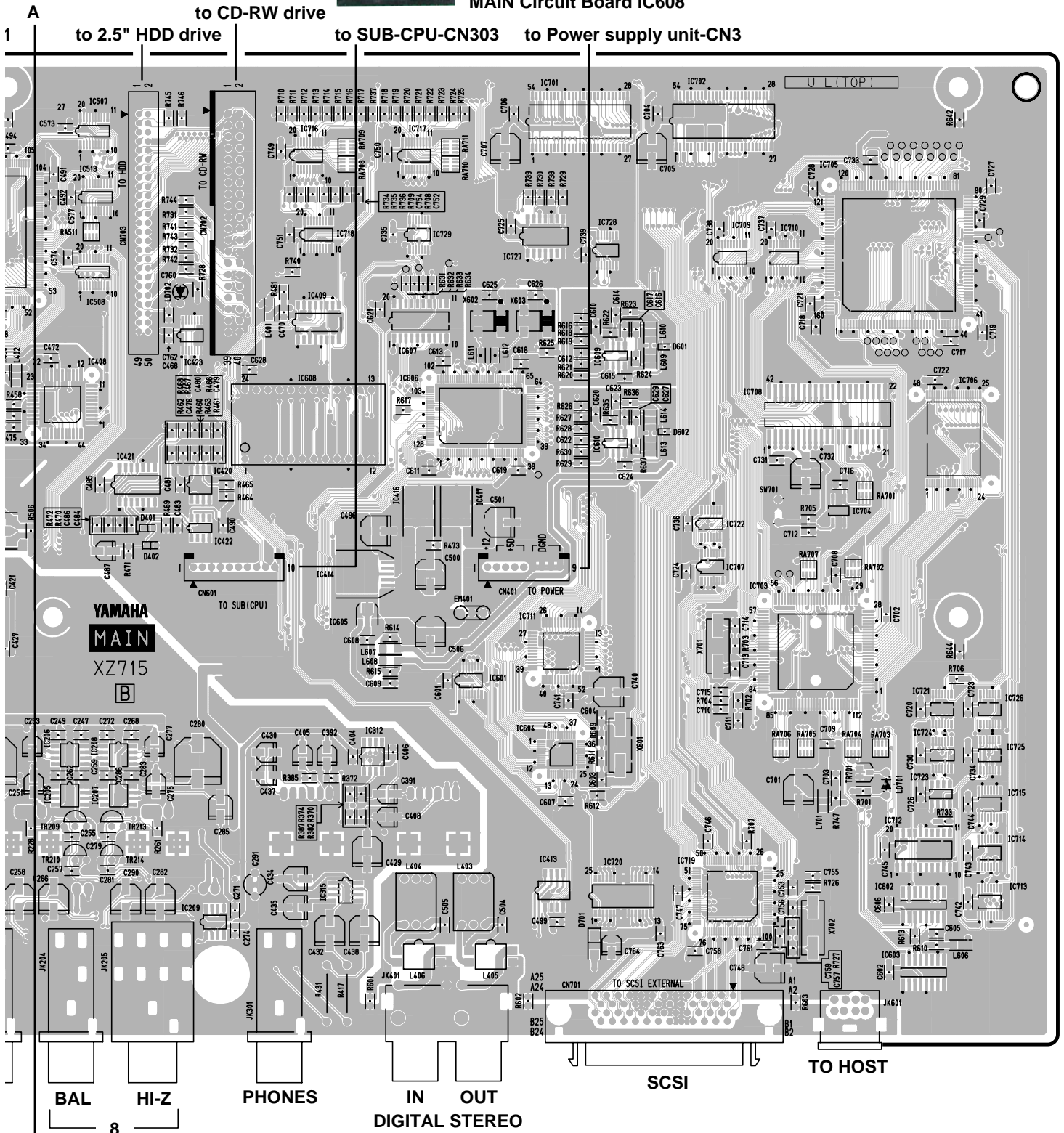
Pattern side

● MAIN Circuit Board

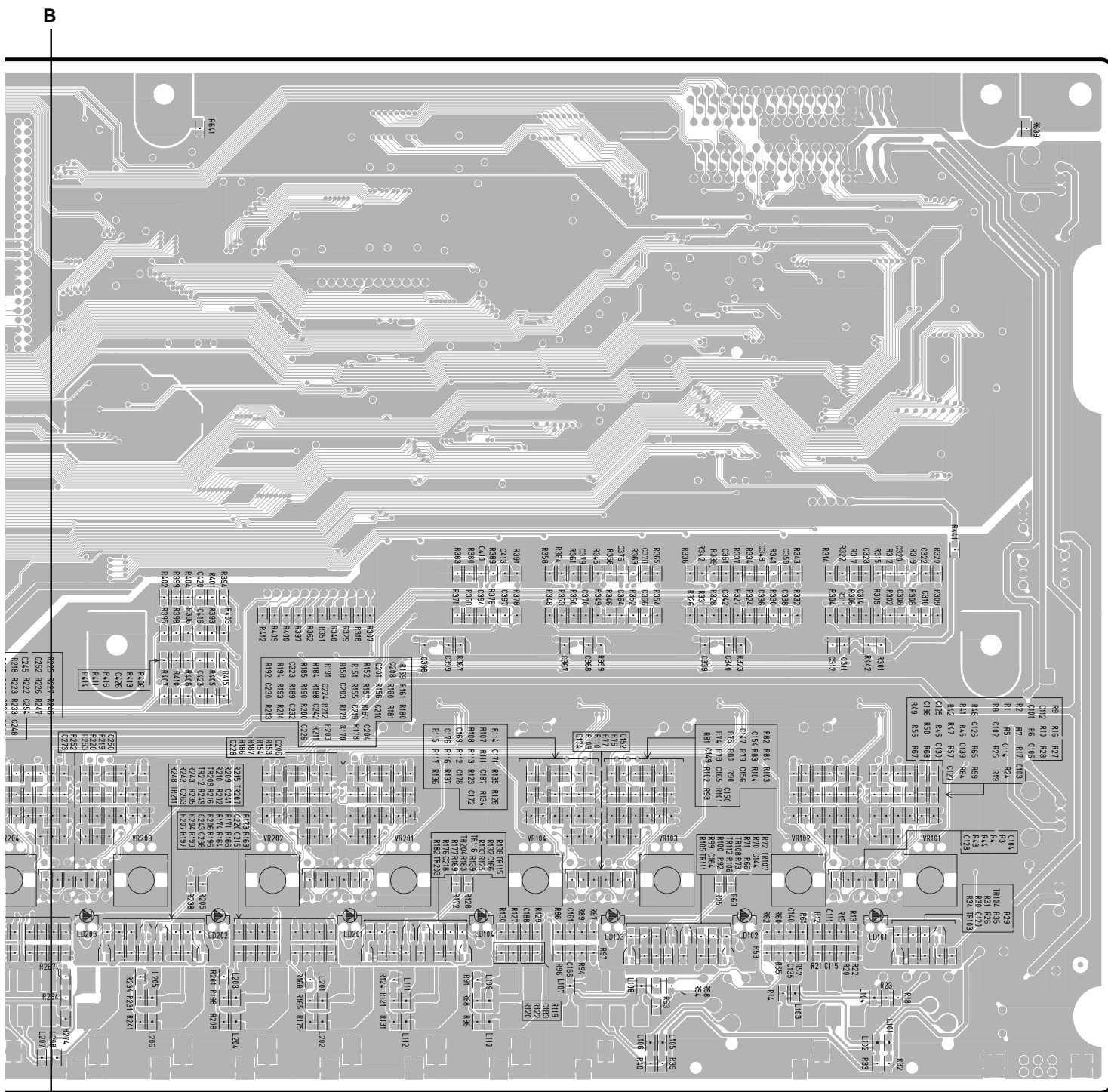




IC with internal lithium battery (DS12887)REAL TIME CLOCK Part No.XV618A00 MAIN Circuit Board IC608



A' 3NA-V748630-2

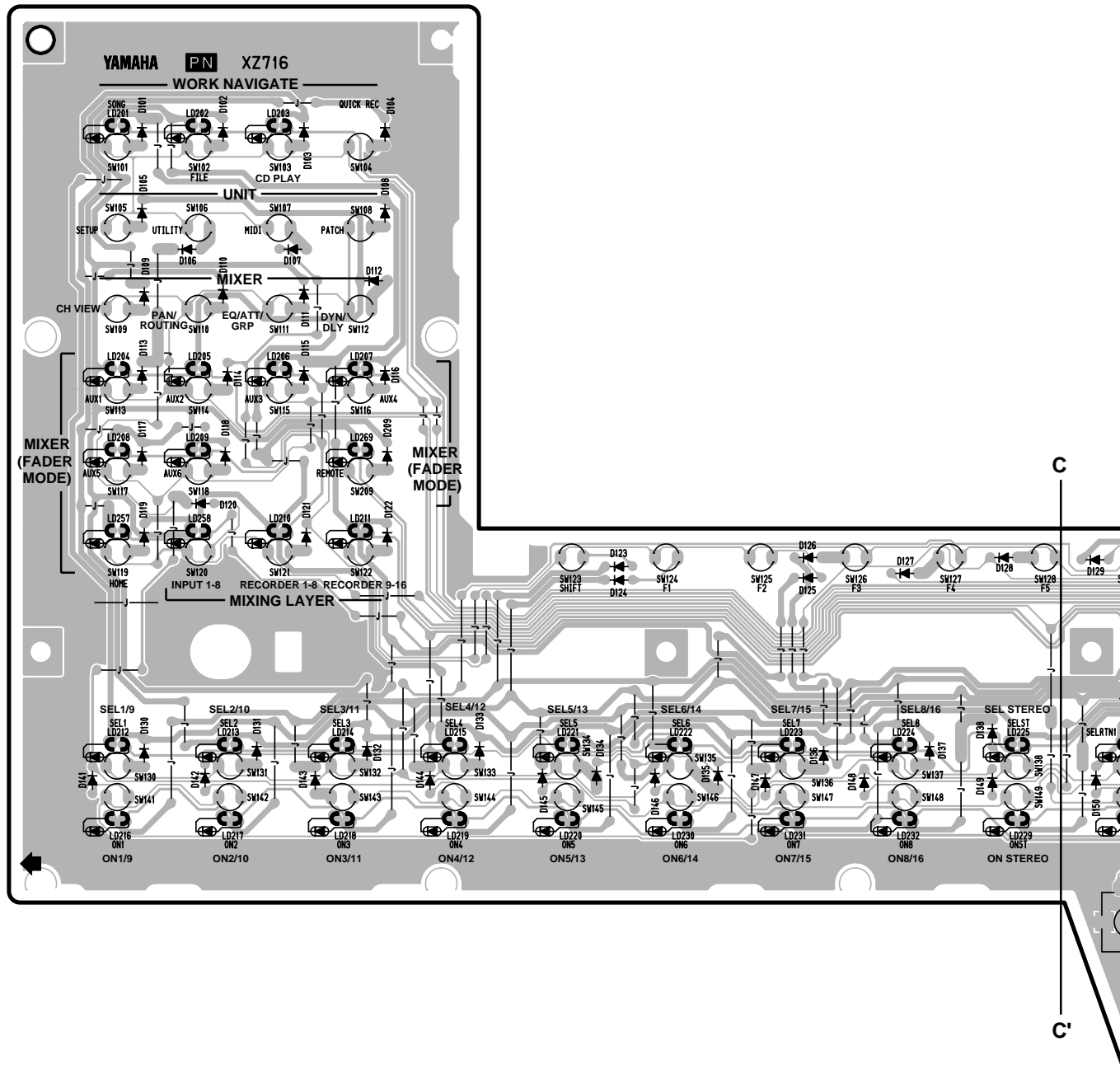


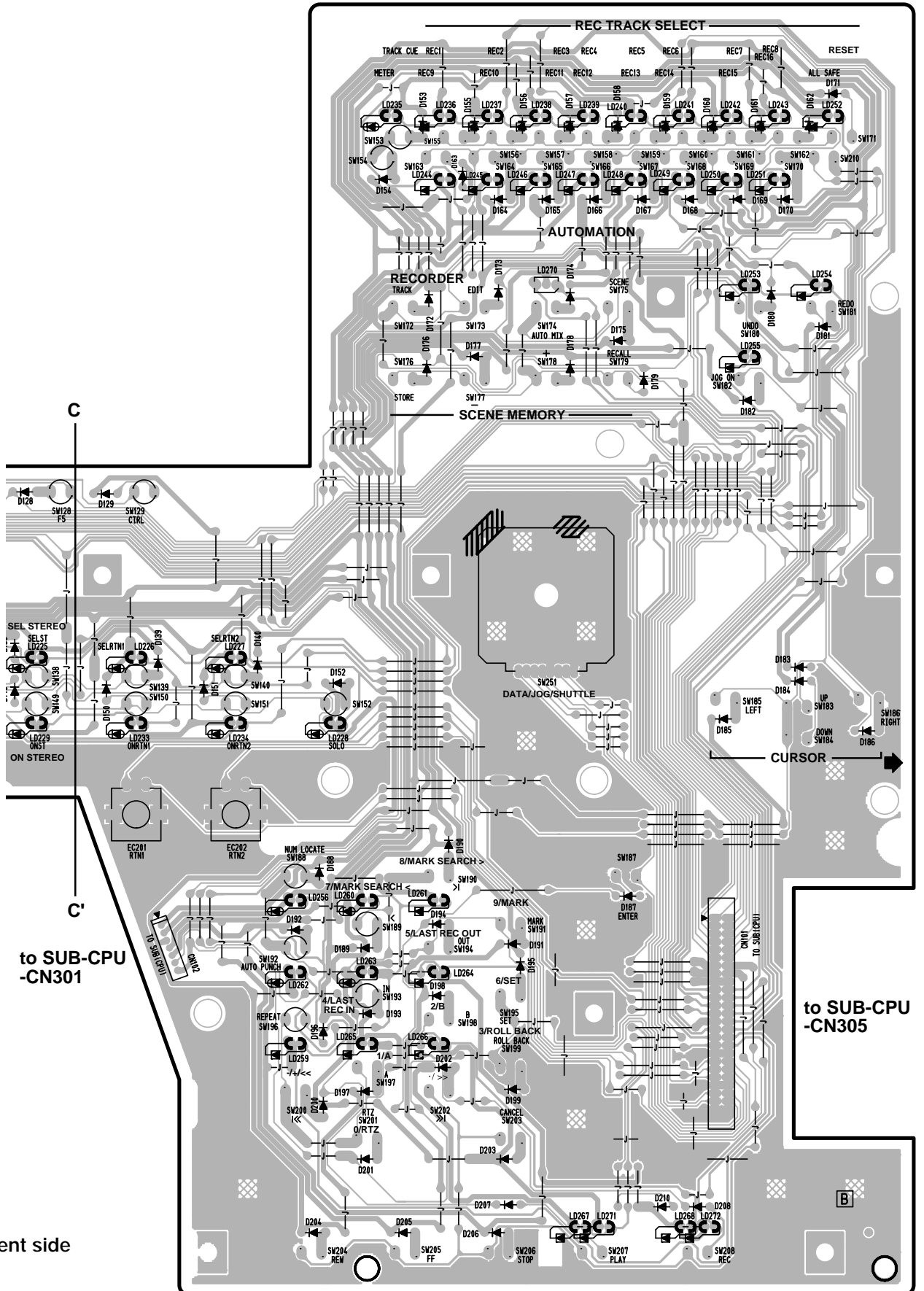
8 7 6 5 4 3 2 1

MIC/LINE INPUT

Pattern side

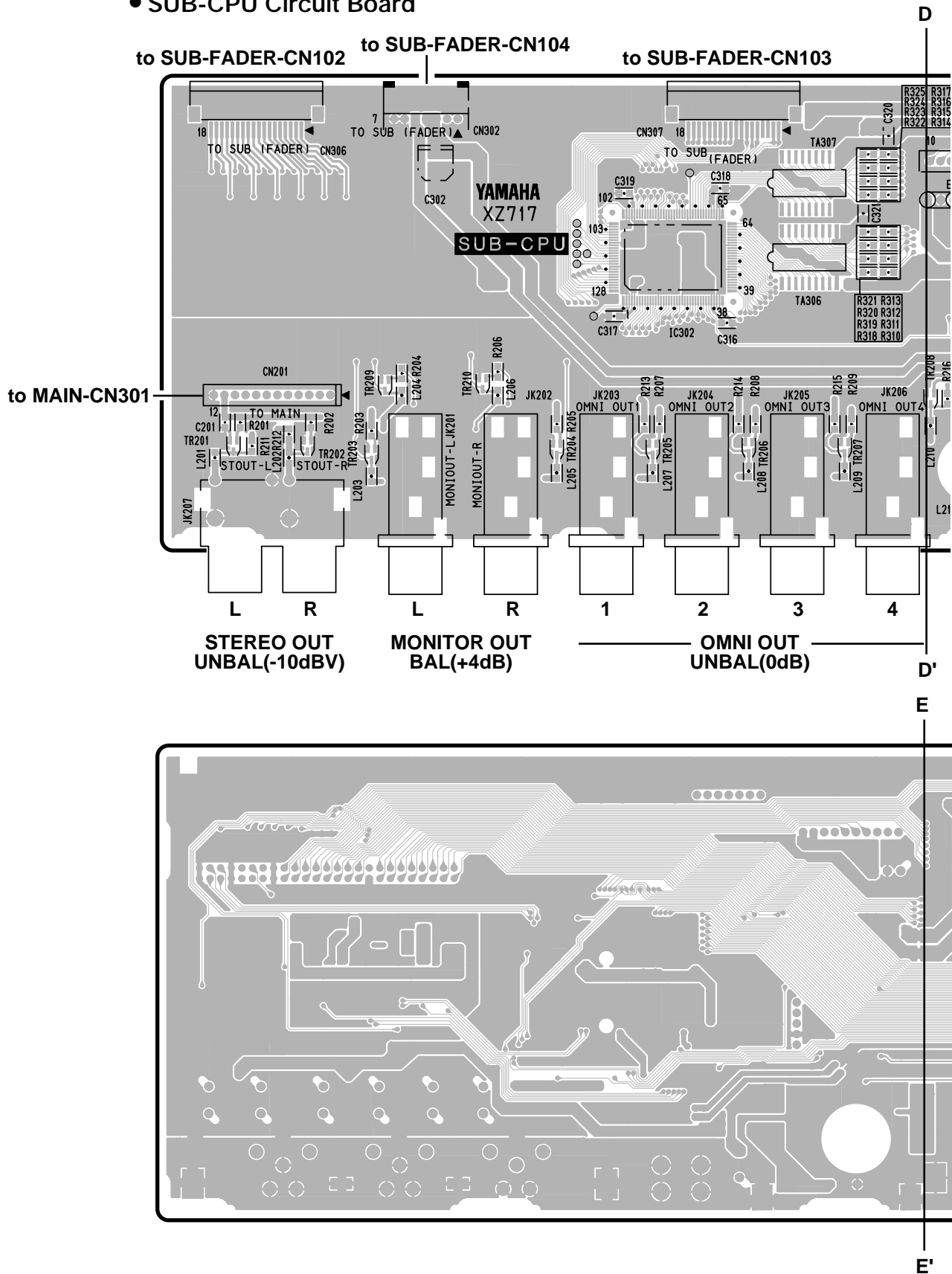
• PN Circuit Board



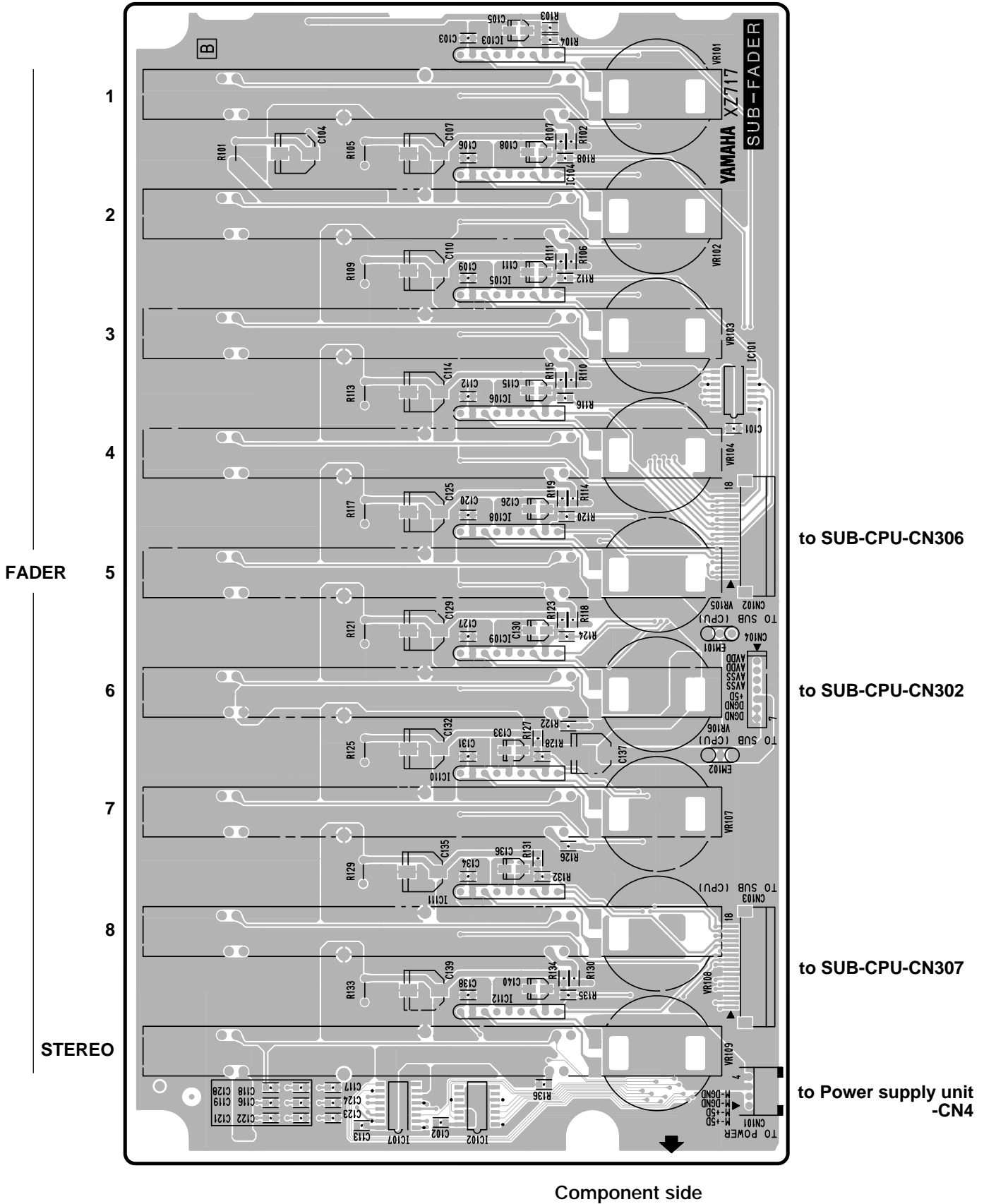


Component side

• SUB-CPU Circuit Board



● SUB-FADER Circuit Board



FADER

STEREO

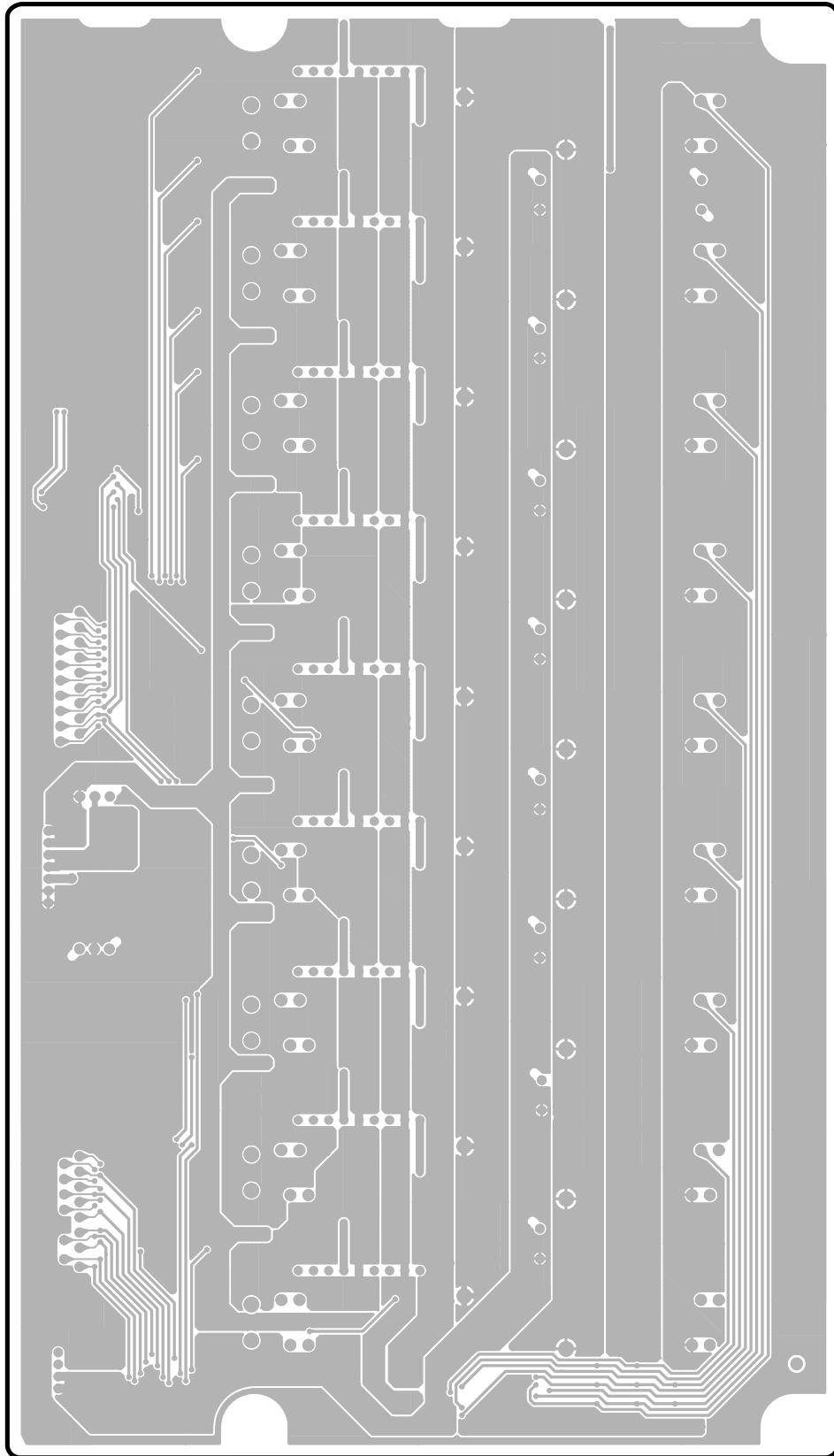
Component side

to SUB-CPU-CN306

to SUB-CPU-CN302

to SUB-CPU-CN307

to Power supply unit -CN4



Pattern side

TEST PROGRAM

1. Getting Ready

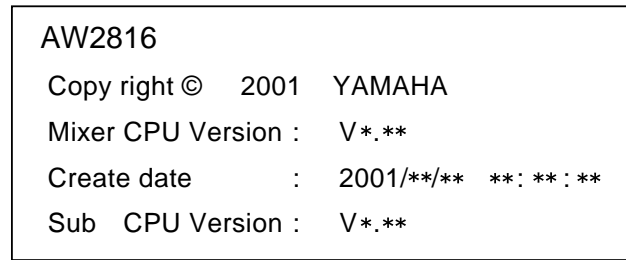
1-1 Rear Panel

- (1) Insert the slot check card (TX800810) into an optional I/O slot.
- (2) Connect an external hard disk drive unit to the SCSI connector (50-pin half-pitch connector).
 - *1 The capacity of the external hard disk drive must be at least 4GB, and the disk must already be physically formatted.
 - *2 The SCSI cable length should not exceed 300mm.
 - *3 Be sure that the external hard disk drive is terminated. (Plug a terminator into the drive's free SCSI connector.)
 - *4 Set the SCSI address of the external hard disk drive to 0.
- (3) Using a dedicated cable, connect the 8-pin MiniDIN connector on the slot check card to the TO HOST connector (8-pin MiniDIN connector) on the instrument.
- (4) Using a pin-jack cable, connect the DIGITAL STEREO IN connector to the DIGITAL STEREO OUT connector.
- (5) Using a MIDI cable, connect the MIDI IN connector to the MIDI OUT/THRU connector.
- (6) Connect a footswitch (FC5 or equivalent) to the FOOT SW jack.

1-2 MAIN Sheet

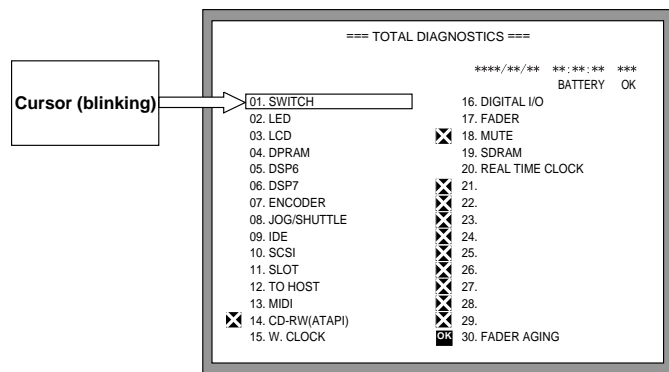
- (1) Connect the 2.5-inch HDD for TEST to the CN703 connector on the MAIN sheet.

2) When the following title screen appears on the LCD, release the keys.



3) The program starts up and the test menu appears on the LCD.

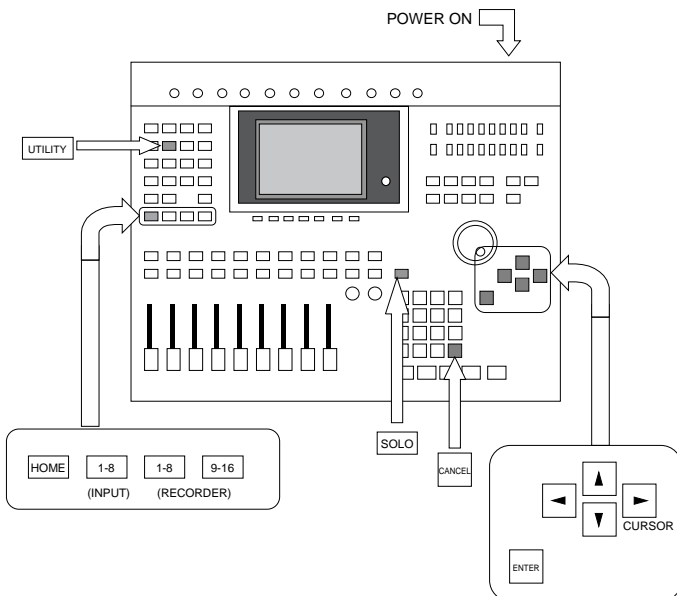
(2) Test Menu



✕ = Indicates that the test item is not available.

2. Starting the Test Program (Diagnostics Program)

2-1 Locations of Program Startup and Selection Keys



2-2 Starting the Program and Displaying the Test Menu

(1) Startup

- 1) Hold down the **UTILITY** and **HOME** keys, and turn on the power.

3. Test Items

3-1 List of Test Items

No.	Test	No.	Test
1	SWITCH	11	SLOT
2	LED	12	TO HOST
3	LCD	13	MIDI
4	DPRAM	15	W.CLOCK I/O
5	DSP6	16	DIGITAL I/O
6	DSP7	17	FADER
7	ENCODER	19	SDRAM
8	JOG/SHUTTLE	20	REAL TIME CLOCK
9	IDE	30	FADER AGING
10	SCSI		

3-2 Selecting and Executing a Test

- (1) Use the **▼** or **▲** key to move the cursor to the test you wish to run.
- (2) Press the **ENTER** key to run the test.

3-3 Test Result

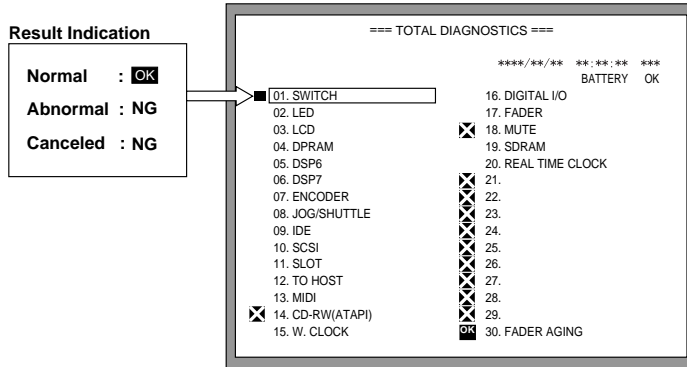
- (1) The test result is displayed to the left of the test item in the menu (see section 3-5, "Displaying the Test Results"). If the test completes successfully, **OK** will be displayed. If the test fails or is canceled, **NG** will be displayed.

3-4 Canceling a Test

(1) You can cancel a test that is currently running by pressing the **CANCEL** key.

* The operation method for canceling (EXIT) the currently executed test is displayed at the bottom left of the screen.
(Example) EXIT: [SOLO] + [CANCEL]

3-5 Displaying the Test Results



4. Description of Each Test

4-1 Switch Input Test (01 SWITCH)

"=== SWITCH ===" is displayed on the LCD.

(1) Test Content

- This test checks the input from all the switches on the control panel and the footswitch. Pressing the [SONG], [FILE], [CD PLAY] or [QUICK REC] key will cause the nine faders to operate at the same time.
- The layout and names of the switches to be tested will appear, so carry out the test in accordance with the instructions displayed on the LCD.
- When a switch is tested and found to be normal, the name of that switch will disappear from the layout and the name of the switch to be tested next will blink.

(2) Judgment

- If the input from all the switches is normal (i.e. all the switch names disappear from the layout):
When all the switches are tested, the test menu will reappear with **OK** displayed to the left of the test item (SWITCH), and the cursor advances to the next test in the menu. (See section 3-5, "Displaying the Test Results".)
- If the test result is NG or if you wish to cancel the test:

Hold down the **SOLO** key and press the **CANCEL** key.

The test menu will reappear with "NG" displayed to the left of the test item (SWITCH). The cursor does not advance.

4-2 LED Test (02 LED)

"=== LED ===" is displayed on the LCD.

(1) Test Content

- This test checks whether each control panel switch LED lights up correctly. (See (1) in section 5, "Miscellaneous".)
- The LEDs light up one by one, so visually check that they light up correctly.

(2) Judgment

- If all tested LEDs light up correctly:

Press the **ENTER** key. The test menu will reappear with **OK** displayed to the left of the test item (LED), and the cursor advances to the next test in the menu.

- If the test result is NG or if you wish to cancel the test:

Press the **CANCEL** key. The test menu will reappear with **NG** displayed to the left of the test item (LED). The cursor does not advance.

4-3 LCD Test (03 LCD)

(1) Test Content

- This test checks the LCD.
- Visually check whether all the dots on the LCD blink.

(2) Judgment

- If all the dots blink correctly:

Press the **ENTER** key. The test menu will reappear with **OK** displayed to the left of the test item (LCD), and the cursor advances to the next test in the menu.

- If the test result is NG or if you wish to cancel the test:

Press the **CANCEL** key. The test menu will reappear with **NG** displayed to the left of the test item (LCD). The cursor does not advance.

4-4 MAIN CPU <-> REC CPU Communication Test (04 DPRAM)

"--- DIAGNOSTIC for DPRAM (MIX <-> HDR) ---" is displayed on the LCD.

(1) Test Content

- Runs a DP-RAM R/W test to check communication between the MAIN CPU and the REC CPU.
- Checks the MAIN CPU bus, REC CPU bus and interrupts.

(2) Judgment

- Result

Checking R/W	... **
Checking MIX CPU <-> HDR CPU	... **

(** : Indicates OK or NG.)

- If all the test results are OK:

Press the **ENTER** key. The test menu will reappear with **OK** displayed to the left of the test item (DPRAM), and the cursor advances to the next test in the menu.

3) If the following NG messages appear:

- **Checking R/W ...NG**
MSB LSB
0XXX XXXX

Write and Read values did not match. "0" indicates that the write and read values for the bit match. If all bits are "X", there is a problem with the CS or address bus. If only one bit is "X", there is a problem with the data bus.

- **Checking MIX CPU <-> HDR CPU ...NG**
No response from HDR CPU
 (Mixer CPU and HDR CPU interruption error)

- **Checking MIX CPU <-> HDR CPU ...NG**
MSB LSB
0XXX XXXX

(Problem with the CS, address or data bus at the Mixer CPU or HDR CPU)

Write and Read values did not match. "0" indicates that the write and read values for the bit match. If all bits are "X", there is a problem with the CS or address bus. If only one bit is "X", there is a problem with the data bus.

Press the key. The test menu will reappear with **NG** displayed to the left of the test item (DPRAM). The cursor does not advance.

4-5 DSP6 Function Test (05 DSP6)

"--- DIAGNOSTIC for DSP6 ---" is displayed on the LCD.

(1) Test Content

- 1) Checks the MAIN CUP / DSP6 interface.
- 2) Checks the DSP6 / DRAM interface.

(2) Judgment

- 1) Result
 - 1: CPU Interface (Data bus) ... **
 - 2: CPU Interface (Data bus) ... **
 - 3: CPU Interface (Chip Select, TXB) ... **
 - 4: CPU Interface (Address bus) ... **
 - 5: CPU Interface (BUS, W/R, Reg) ... **
 - 6: DRAM Interface (Data bus) ... **
 - 7: DRAM Interface (Address bus) ... **
 - 8: DRAM Interface (Address bus & MPR) ... **
 - 9: SIO Connection ... skip
 - 10: SIO Connection ... skip!
- (**): Indicates OK or NG.)

2) If all the tests are "OK":
 "All test are OK" will be displayed.

Press the key. The test menu will reappear with **OK** displayed to the left of the test item (DSP6), and the cursor advances to the next test in the menu.

3) If the following NG messages appear:

- **1: CPU Interface (Data bus) ...NG**
IC404 TXBusy Error

- **2: CPU Interface (Data bus) ...NG**

MSB 28 24 20 16 12 8 LSB
 IC404 XXXX XXXX XXXX XXXX XXXX XXXX XXXX XXXX
 ("0" is displayed for the bits whose write and read values match.)

- **3: CPU Interface (Chip Select, TXB) ...NG**
IC404 CS Error

- **4: CPU Interface (Address bus) ...NG**

MSB 28 24 20 16 12 8 LSB
 IC404 0000 XXXX XXXX XXXX XXXX XXXX XXXX XXXX
 ("0" is displayed for the bits whose write and read values match.)

- **5: CPU Interface (BUS, W/R, Reg) ...NG**

MSB 28 24 20 16 12 8 LSB
 IC404 X000 XXXX XXXX XXXX XXXX XXXX XXXX XXXX
 ("0" is displayed for the bits whose write and read values match.)

- **6: DRAM Interface (Data bus) ...NG**

MSB 28 24 20 16 12 8 LSB
 IC404 X000 XXXX XXXX XXXX XXXX XXXX XXXX XXXX
 ("0" is displayed for the bits whose write and read values match.)

- **7: DRAM Interface (Address bus) ...NG**

MSB 28 24 20 16 12 8 LSB
 IC404 X000 XXXX XXXX XXXX XXXX XXXX XXXX XXXX
 ("0" is displayed for the bits whose write and read values match.)

- **8: DRAM Interface (Address bus & MPR) ...NG**

MSB 28 24 20 16 12 8 LSB
 IC404 X000 XXXX XXXX XXXX XXXX XXXX XXXX XXXX
 ("0" is displayed for the bits whose write and read values match.)

Press the key. The test menu will reappear with **NG** displayed to the left of the test item (DSP6). The cursor does not advance.

4-6 DSP7 Function Test (05 DSP7)

"--- DIAGNOSTIC for DSP7 ---" is displayed on the LCD.

(1) Test Content

- 1) Checks the MAIN CUP / DSP7 interface.
- 2) Checks the DSP7 / E-RAM interface.
- 3) Checks the serial I/O connection between DSP6 and DSP7.

(2) Judgment

- 1) Result
 - 1: CPU Interface (Data bus) ... **
 - 2: CPU Interface (Chip Select) ... **
 - 3: CPU Interface (Address bus) ... **
 - 4: E-RAM Interface (Data bus) ... **
 - 5: E-RAM Interface (Address bus) ... **
 - 6: SIO Connection (DSP6 <-> DSP7) ... **
- (**): Indicates OK or NG.)

2) If all the tests are "OK":
 "All test are OK" will be displayed.

Press the key. The test menu will reappear with **OK** displayed to the left of the test item (DSP7), and the cursor advances to the next test in the menu.

3) If the following NG messages appear:

•1: CPU Interface (Data bus) ...NG
 MSB 28 24 20 16 12 8 LSB
 IC412 XXXX XXXX XXXX XXXX XXXX XXXX XXXX XXXX
 ("0" is displayed for the bits whose write and read values match.)

•2: CPU Interface (Chip Select) ...NG
 IC412 CS Error

•3: CPU Interface (Address bus) ...NG
 MSB LSB
 IC412 XXXX XXXX
 ("0" is displayed for the bits whose write and read values match.)

•4: E-RAM Interface (Data bus) ...NG
 MSB 28 24 20 16 12 8 LSB
 IC412 0000 XXXX XXXX XXXX XXXX XXXX XXXX XXXX
 ("0" is displayed for the bits whose write and read values match.)

•5: E-RAM Interface (Address bus) ...NG
 MSB 28 24 20 16 12 8 LSB
 IC412 X000 XXXX XXXX XXXX XXXX XXXX XXXX XXXX
 ("0" is displayed for the bits whose write and read values match.)

•6: SIO Connection (DSP6 <-> DSP7) ... NG
 IC412 SIO44 -> IC404 SIO
 IC404 SO0 -> IC412 SIO20

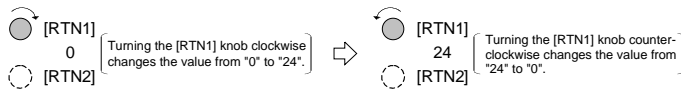
Press the key. The test menu will reappear with **NG** displayed to the left of the test item (DSP7). The cursor does not advance.

4-7 Encoder Function Test (07 ENCODER)

"=== ENCODER ===" is displayed on the LCD.

(1) Test Content

- 1) Checks the function of RTN1 and RTN2 rotary encoders.
- 2) The illustration of the encoders to be tested and operation instructions will appear, so carry out the test in accordance with the instructions.



(2) Judgment

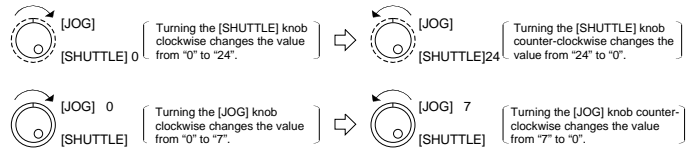
- 1) If all the encoders have functioned correctly:
 When the test is completed, the test menu will reappear with **OK** displayed to the left of the test item (ENCODER), and the cursor advances to the next test in the menu.
- 2) If the test result is NG or if you wish to cancel the test:
 Press the key. The test menu will reappear with **NG** displayed to the left of the test item (ENCODER). The cursor does not advance.

4-8 Jog/Shuttle Function Test (08 JOG/SHUTTLE)

"=== JOG/SHUTTLE ===" is displayed on the LCD.

(1) Test Content

- 1) Checks jog/shuttle functions.
- 2) The illustration of the jogs/shuttles to be tested and operation instructions will appear, so carry out the test in accordance with the instructions.



(2) Judgment

- 1) If all the jog/shuttle functions operate correctly:
 When the test is completed, the test menu will reappear with **OK** displayed to the left of the test item (JOG/SHUTTLE), and the cursor advances to the next test in the menu.
- 2) If the test result is NG or if you wish to cancel the test:
 Press the key. The test menu will reappear with **NG** displayed to the left of the test item (JOG/SHUTTLE). The cursor does not advance.

4-9 Internal HDD Test (09 IDE)

"=== IDE ===" is displayed on the LCD.

(1) Test Content

- 1) Checks connection and operation of the internal (IDE) hard disk.
- 2) You, yourself, must check whether the HDD access LED blinks correctly. (See (1), in section 5, "Miscellaneous".)

(2) Judgment

- 1) If the internal hard disk is connected and operates correctly, **OK** will be displayed in the upper right corner of the screen.

Press the key. The test menu will reappear with **OK** displayed to the left of the test item (IDE), and the cursor advances to the next test in the menu.

- 2) If the following NG messages appear:

- IDE Timeout (Check CPU <-> IDE)→
 Communication error between the CPU and IDE HDD
- IDE - HDD (Check IDE <-> HDD)→
 Error in reading or writing to the HDD
- IDE - HDD DMA (Check DRAM <-> CPU <-> IDE)→
 DMA read/write error

Press the key. The test menu will reappear with **NG** displayed to the left of the test item (IDE). The cursor does not advance.

(Note) The contents of the HDD will be lost when this test is performed.

4-10 External SCSI Device Connection Test (10 SCSI)

"=== SCSI ===" is displayed on the LCD.

(1) Test Content

- 1) Checks connection and operation of the external SCSI device.

(2) Judgment

- 1) If the external SCSI device is connected and operates correctly, **OK** will be displayed in the upper right corner of the screen.

Press the key. The test menu will reappear with **OK** displayed to the left of the test item (SCSI), and the cursor advances to the next test in the menu.

- 2) If the following NG messages appear:

- EXTERNAL SCSI error**→ Connection error with the external SCSI device
- SCSI DMA error**→ Read/write error with SCSI device when read/write is performed by CPU DMA

Press the key. The test menu will reappear with **NG** displayed to the left of the test item (SCSI). The cursor does not advance.

4-11 Option I/O Slot Connection Test (11 SLOT)

"=== SLOT ===" is displayed on the LCD.

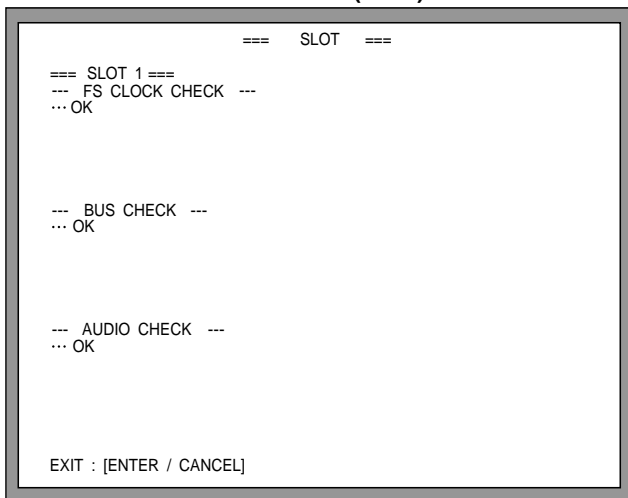
(1) Test Content

- 1) Checks the connection of the optional I/O slot.

(2) Judgment

- 1) If the I/O slot is connected and operates correctly:

Test Screen (if OK)



Press the key. The test menu will reappear with **OK** displayed to the left of the test item (SLOT), and the cursor advances to the next test in the menu.

- 2) If the following NG messages appear:

- FS CLOCK CHECK NG**
 - 256FS→Connection problem with 256FSMY, WCMY
 - 128FS→Connection problem with 128FSMY, WCMY
 - 64FS→Connection problem with 64FSMY, WCMY
 - SYNC→Connection problem with SYNCMY, WCMY
 - FS→Connection problem with FSMY, WCMY
- BUS CHECK NG**
 - ADDRESS BUS→Connection problem with DATA BUS (YD[0]-YD[15])/CSMY[1,2], /RDMY, /WRLMY, /WRHMY
 - IRQ→Connection problem with /IRQMY (SLOT1)
- AUDIO CHECK NG**
 - TX/RX→Connection problem with RXMY2, RXMY2 (SLOT2)
 - SIGNAL 1/2→Connection problem with S[1/2]IN-1/2, S[1/2]OUT-1/2
 - SIGNAL 3/4→Connection problem with S[1/2]IN-3/4, S[1/2]OUT-3/4
 - SIGNAL 5/6→Connection problem with S[1/2]IN-5/6, S[1/2]OUT-5/6
 - SIGNAL 7/8→Connection problem with S[1/2]IN-7/8, S[1/2]OUT-7/8

Press the key. The test menu will reappear with **NG** displayed to the left of the test item (SLOT). The cursor does not advance.

4-12 TO HOST Function Test (12 TO HOST)

"=== TO HOST ===" is displayed on the LCD.

(1) Test Content

- 1) Checks the host interface.

(2) Judgment

- 1) If all the test results are "OK"

Press the key. The test menu will reappear with **OK** displayed to the left of the test item (TO HOST), and the cursor advances to the next test in the menu.

- 2) If the following NG messages appear:

- MAIN Tx/Rx**→Signal error with TX1 (pin 17), RX1 (pin 16) of SIO4 (IC604)
- CLOCK**→Signal error with TX2 (pin 21) of SIO4 (IC604)
- REC Tx/Rx**→Signal error with TXD1 (pin 47), RXD1 (pin 48) of REC CPU (IC703)

Press the key. The test menu will reappear with **NG** displayed to the left of the test item (TO HOST). The cursor does not advance.

4-13 MIDI Function Test (13 MIDI)

"=== MIDI===" is displayed on the LCD.

(1) Test Content

- 1) Checks the MIDI interface and MTC functions.

(2) Judgment

- 1) Operation instruction ①

First, MIDI check is performed, and the following message will appear.

--- MIDI CHECK ---

MAKE TEST LOOP AND PRESS ENTER

Check whether the [MIDI IN] and [MIDI OUT/THRU] connectors on the instrument are connected with a MIDI cable.

Press the key. MIDI check will be performed and the check result will be displayed.

- Operation instruction ②

Next, MTC check is performed, and the following message will appear.

--- MTC CHECK ---

MAKE TEST LOOP AND PRESS ENTER

Disconnect the MIDI cable from the [MIDI OUT/THRU] connector, and connect it to the [MIDI MTC OUT] connector that is located to the left of the [MIDI OUT/THRU] connector.

Press the key. MTC check will be performed and the check result will be displayed.

- 2) If both test results are OK:

Press the key. The test menu will reappear with **OK** displayed to the left of the test item (MIDI), and the cursor advances to the next test in the menu.

- 3) If one or both of the test results are NG and the following message appears:

- MIDI Tx/Rx**→Signal error with TX0 (pin 15), RX0 (pin 14) of SIO4 (IC604)
- THRU SELECT**→Signal error with Port E8 (pin 106) of MAIN CPU (IC501)

Press the key. The test menu will reappear with **NG** displayed to the left of the test item (MIDI). The cursor does not advance.

4-14 Word-Clock I/O Test (15. W.CLK I/O)

"=== W.CLK I/O===" is displayed on the LCD.

(1) Test Content

- 1) Checks the word-clock generator functions (crystal OSC, VCI, I/O).

(2) Judgment

- 1) If all the test results are "OK"

Press the key. The test menu will reappear with **OK** displayed to the left of the test item (W.CLK I/O), and the cursor advances to the next test in the menu.

- 2) If the following NG messages appear:

- 48k INTERNAL CLOCK**→Oscillation error with 48K work clock (X602 is defective)
- 44.1k INTERNAL CLOCK**→Oscillation error with 44.1K work clock (X603 is defective)
- 48k 0% VARI**→48k oscillation error (VCO49 or IC610 is defective)
- 48k +7% VARI**→48k+7% oscillation error (VCO49 or IC610 is defective)
- 48k -7% VARI**→48k-7% oscillation error (VCO49 or IC610 is defective)
- 44.1k 0% VARI**→44.1k oscillation error (VCO45 or IC609 is defective)
- 44.1k +7% VARI**→44.1k+7% oscillation error (VCO45 or IC609 is defective)
- 44.1k -7% VARI**→44.1k-7% oscillation error (VCO45 or IC609 is defective)
- WC I/O (48k INT)**→Signal error with ALRCK or WCKIN

Press the key. The test menu will reappear with **NG** displayed to the left of the test item (W.CLK I/O). The cursor does not advance.

4-15 Digital I/O Function Test (16 DIGITAL I/O)

"=== DIGITAL I/O===" is displayed on the LCD.

(1) Test Content

- 1) Checks whether the digital I/O (SPDIF format) signal can be sent and received correctly.
- 2) Checks the digital audio signals.

(2) Judgment

- 1) If all the test results are "OK"

Press the **ENTER** key. The test menu will reappear with **OK** displayed to the left of the test item (DIGITAL I/O), and the cursor advances to the next test in the menu.

- 2) If the following NG messages appear:

- STATUS**→Problem with DIGITAL AUDIO signal's status bit
- EMPHASIS**→Problem with DIGITAL AUDIO signal's emphasis information Problem with DIREMP signal of DIR2 (IC408)
- DIR LOCK**→Problem with /RES-DIT signal of DIT (IC409)
Problem with LOCK signal of DIR (IC408)
Problem with DIGITAL AUDIO signal
- DIR SPDWCK**→Problem with 128FS signal of DIT (IC409)
Problem with SPDWCK signal of DIR (IC408)
Problem with DIGITAL AUDIO signal

Press the **CANCEL** key. The test menu will reappear with **NG** displayed to the left of the test item (DIGITAL I/O). The cursor does not advance.

4-16 Fader Test (17 FADER)

"=== FADER===" is displayed on the LCD.

(1) Test Content

- 1) Checks the fader operation.

(2) Judgment

- 1) The following instructions will appear on the LCD.

--- SLOW MODE ---
PUSH [SONG] [FILE] [SETUP] [UTILITY]
[CD] [QUICK REC] key [MIDI] [PATCH] key

Press the **QUICK REC** key, and check that positional variation between adjacent faders is within 2.5mm, and that the largest positional variation among the nine faders is within 5.0mm.

Press the **SONG** key, and check that all the faders move to the ∞ position.

Press the **FILE** key, and check that all the faders move to the +6 (0) position.

Press the **CD PLAY** key, and check that all the faders move near to the 7.5 (25) position.

Press the **QUICK REC** key, and check that all the faders move near to the 0 (10) position.

Press the **SETUP** key, and check that all the faders move slowly to the ∞ position.

Press the **UTILITY** key, and check that all the faders move slowly to the +6 (0) position.

Press the **MIDI** key, and check that all the faders move slowly to the 7.5 (25) position.

Press the **PATCH** key, and check that all the faders move slowly to the 0 (10) position.

(Values in parentheses are for stereo faders.)

- 2) If all the faders have moved correctly:

Press the **ENTER** key. The test menu will reappear with **OK** displayed to the left of the test item (FADER), and the cursor advances to the next test in the menu.

- 3) If there was an error in fader movement:

Press the **CANCEL** key. The test menu will reappear with **NG** displayed to the left of the test item (FADER). The cursor does not advance.

4-17 SDRAM (DRC) Function Test (19 SDRAM)

"=== SDRAM (DRC)===" is displayed on the LCD.

(1) Test Content

- 1) Checks DRC connections.

(2) Judgment

- 1) If all the connections are OK:

The following messages will appear.

DRC - SDRM	...OK
IDE - DRC - SDRM	...OK
SCSI - DRC - SDRM	...OK

Press the **ENTER** key. The test menu will reappear with **OK** displayed to the left of the test item (IDE).

- 2) If some connections are NG:

DRC - SDRM (check CPU -> DRC -> SDRAM)→
Connection problem between REC
CPU - DRC - SDRM

IDE - DRC - SDRM (check IDE -> DRC -> SDRAM)→
Connection problem between internal
HDD - DRC - SDRM

SCSI - DRC - SDRM (check SCSI -> DRC -> SDRAM)→
Connection problem between external
HDD - DRC - SDRM

Press the **CANCEL** key. The test menu will reappear with **NG** displayed to the left of the test item (IDE).

4-18 Real Time Clock Test (20 REAL TIME CLOCK)

"== REAL TIME CLOCK==" is displayed on the LCD.

(1) Test Content

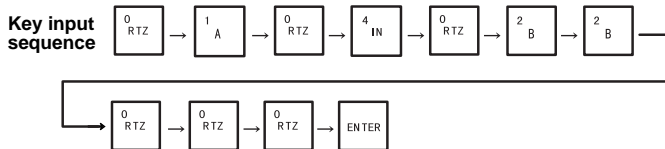
- 1) Sets the date and time of the internal clock (RTC).
- 2) Checks whether the internal clock starts correctly.
- 3) Checks the battery.

(2) Judgment


- 1) An instruction "SET TIME BY TEN-KEY AND ENTER" is displayed. "2000/01/01 00:00:00 Sat" is displayed at the center of the screen.
- 2) Enter the date and time with the ten-key.
 Example: Apr. 2, 2001 , 20:00:00
 For the year, set the last two digits. (2001 -> 01)
 Set two-digit values for month and day. (April -> 04; 2nd day of month -> 02)
 Set the hour using 24-hour system. (8 pm -> 20)
 Set two-digit values for hour and minute. (Example: 5 am -> 05; 7 minutes after the hour -> 07)
 Do not set the seconds. The second count always starts from 00.

Finally, press the  key to confirm the entries.

To set the date to April 2, 2001 and the time to 20:00:00, key in the numbers as follows.



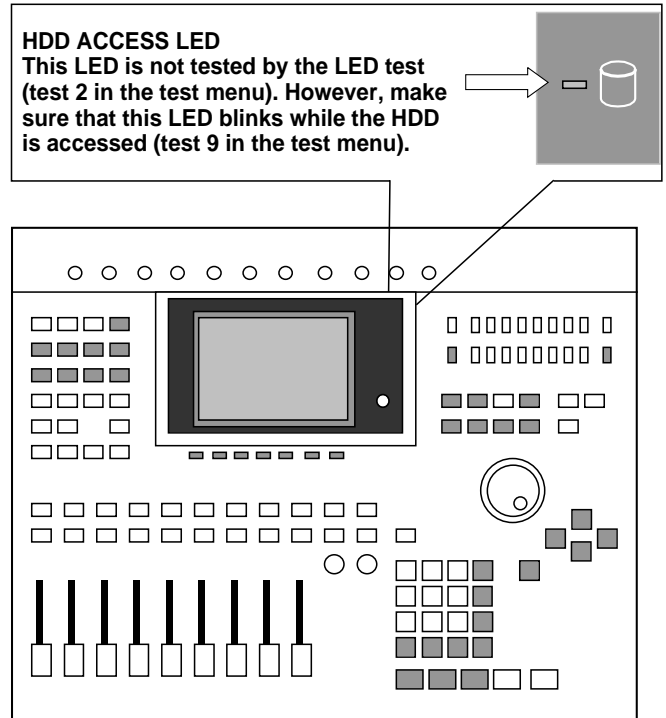
3) Check


Press the  key. The test menu will reappear, so check whether the correct date and time are displayed in the top right corner of the screen. Also check the battery status.





2001/04/02 20:00:00 Mon ← Date and time that have been set.
 BATTERY OK ← Battery check

5. Miscellaneous

- (1) Some switches have no LED, and they are indicated by a gray square in the illustration below. These switches will not light up during the LED test (test 2 in the test menu). However, do not make judgment that they are defective.



- (2) The FADER AGING test (test 30 in the test menu) is a special test and provided to run an aging test for the faders by operating the faders continuously. Fader operation itself is tested by the FADER test (test 17). Note that at test program startup the test menu automatically shows  for the FADER AGING test.

Also note that the faders can be moved using the , ,  and  keys regardless of the test item.

■ DISPLAY MESSAGE LIST

Messages

AUTOMIX DISABLED.	Automix is not enabled, and cannot be recorded.
AUTOMIX MEMORY FULL!	Automix memory has no free area.
AUTOMIX NOT RUNNING.	Automix has been stopped, so recording is not possible. Pause the recorder, and then playback.
AUTOMIX REC ABORTED.	Automix recording was stopped, and the data was discarded.
AUTOMIX RECORDING.	The operation cannot be executed since automix is being recorded.
AUTOMIX RUNNING.	The operation cannot be executed since automix is being recorded or played.
BULK: BYTE COUNT MISMATCH!	The data length specified within the received system exclusive data did not match the length of the data that was actually received.
BULK: CHECKSUM MISMATCH!	The check sum of the received system exclusive is incorrect.
BULK: MEMORY PROTECTED!	The scene memory you attempted to receive is protected.
CANNOT ASSIGN DIGITAL-ST-IN.	DIGITAL STEREO IN cannot be assigned to the stereo bus cascade.
CANNOT CHANGE THE MUTE	Muting cannot be defeated since this would exceed the number of simultaneously playable tracks.
CANNOT PLAY THIS PAGE	Playback is not possible in this page.
CANNOT RECALL AUTOMIX	Recall is not possible, since automix data has not been stored.
CANNOT REDO	Redo (re-execution of an operation) is not possible.
CANNOT SET MARK	It is not possible to specify a mark at an already-specified position.
CANNOT UNDO	Undo (cancellation of an operation) is not possible.
CD PLAY MODE NOW.	Since the AW2816 is in CD Play mode, this operation is not possible.
DIFFERENT TC FRAME TYPE	MTC of a different frame type than the internal setting is being received.
DIGITAL-ST-IN REC PROHIBIT.	Recording is prohibited for the signal being input from DIGITAL STEREO IN.
DIGITAL-ST-IN SYNC ERROR!	The signal being input from DIGITAL STEREO IN is not synchronized to the word clock master.
DIN TO STEREO BUS REFUSE.	Since the signal was interrupted, cascading from DIGITAL STEREO IN to the stereo bus has been defeated.
DISK BUSY	The reading speed of the internal hard disk is not fast enough, or the reading speed has slowed down because the recorded data has become fragmented.
DRIVE NOT READY	The drive is not ready.
EFF1 INSERT RELEASED	Effect 1 has been released from insertion because a patch library was recalled.
EFF2 INSERT RELEASED	Effect 2 has been released from insertion because a patch library was recalled.
FOR EFFECT2 ONLY.	The selected effect program can be used only with effect 2.
IN/OUT POINTS TOO CLOSE	The auto punch-in/out interval is too short. It cannot be set less than approximately 100 msec.
INT.EFF NOW SELECTED AUX.	The internal effect is connected to the AUX send, and cannot be inserted.
LOW BATTERY!!	The internal battery is running down.

MAKE NEW MIX.	There are no events to be edited. Please create a new mix.
MARK ERASED	The mark has been erased.
MARK SET	The mark has been set.
MEMORY FULL!!	The song has no more free space. One song can use a maximum of 6.4 GB.
MIDI BULK RECEIVED	A bulk data dump was received.
MIDI IN: DATA FRAMING ERROR!	Invalid data may have been received at the MIDI IN connector.
MIDI IN: DATA OVERRUN!	Invalid data may have been received at the MIDI IN connector.
MIDI: RX BUFFER FULL!	Receiving more MIDI data than it can handle.
MIDI: TX BUFFER FULL!	Attempting to transmit more MIDI data than it can handle.
NO CURRENT AUTOMIX.	There is no valid automix data. Please create a new mix.
NO DATA TO PATCH	No Quick Rec patch has been specified.
NO DATA TO RECALL.	Since data has not been stored, it cannot be recalled.
NO MARK LEFT	The allowable number of marks has been exceeded.
NO MEDIA!!	Media has not been inserted.
NO PATCH CORD LEFT	You attempted to patch in excess of what is allowed by Quick Rec.
PLAY TRACK MUTE IS ON	Playback tracks were muted because the allowable number of simultaneously recorded/played tracks was exceeded.
RECORDER BUSY	The operation cannot be executed because the recorder is operating.
RECORDER RUNNING	The operation cannot be executed because the recorder is recording or playing.
REDO COMPLETE	Redo (re-execution of the previous operation) has been completed.
REPEAT POINTS TOO CLOSE	The repeat interval is too short. It cannot be set to less than one second.
SELECTED ALL TRACKS	Since all tracks are selected, it is not possible to export to CD-R/RW media, or to edit the track name.
SELECTED AREA HAS NO DATA.	The selected area contains no trigger data.
SELECTED AREA HAS NO REGION.	The selected area contains no region.
SELECTED CH IS NONE.	The selected channel cannot be selected since it does not exist.
SELECTED CH ONLY MODE.	The channel cannot be changed, since the display mode is set to SELECTED CH ONLY.
SELECTED SONG HAS NO REGION.	The selected song does not contain a region.
SELECTED TRACK HAS NO REGION.	The selected track does not contain a region.
SELECTED TRACK NOT RECORDED.	The selected track does not contain recorded data.
SLOT INPUT SYNC ERROR!	The signal being input to the input jack of a card installed in OPTION I/O slot is not synchronized to the word clock master.
SOLO READY.	The Solo function is ready. Use the [SEL] keys to select the solo channel.
SOLO SLAVE.	The Solo status cannot be changed when the AW2816 is functioning as a cascade slave. Press the Solo key on the master console.
SONG NUMBER FULL.	The maximum number of songs has been reached.
SONG TOP/END OUT OF RANGE	You located outside the top/end range of the song.
STEREO PAIRED.	You are attempting to defeat ST LINK for the dynamics of paired channels.
STEREO TRACK MUTE IS OFF	Since muting is off for the stereo track, track muting cannot be turned off.

THIS SONG IS PROTECTED.	This song is protected, and cannot be edited or recorded.
TO HOST: DATA FRAMING ERROR!	Invalid data may have been received at the TO HOST connector.
TO HOST: DATA OVERRUN!	Invalid data may have been received at the TO HOST connector.
TO HOST: DATA PARITY ERROR!	Invalid data may have been received at the TO HOST connector.
TO HOST: RX BUFFER FULL!	Excessive amounts of data may have been received at the TO HOST connector.
TO HOST: TX BUFFER FULL!	The AW2816 may be attempting to transmit excessive amounts of data from the TO HOST connector.
UNDO COMPLETE	Undo (cancellation of the previous operation) has been executed.
WRONG WORD CLOCK!!	The word clock from a connected device selected for synchronization is not appropriate.

Popup messages

CD Access Error!	A error occurred when accessing the CD.
CD Size Full!	Data exceeding the recordable length of the CD cannot be added.
CD Track Over!	The maximum number of tracks has been reached, and further addition is not possible.
Can't Copy This Parameter!	This parameter cannot be copied.
Can't Create Image File!	Since the disk is full, a CD image file cannot be created.
Can't Delete Current Song!	The currently loaded song cannot be deleted.
Can't Delete Protected Song!	A protected song cannot be deleted.
Can't Edit Multiple Songs!	This editing operation cannot be executed on multiple songs simultaneously.
Can't Optimize Protected Song!	Optimize cannot be executed on a protected song.
Can't REDO	Redo is not possible.
Can't Select Current Song!	The currently loaded song cannot be edited.
Can't UNDO	Undo is not possible.
Can't Write CD-RW by Track At Once!	A CD-RW cannot be written using Track At Once.
Change Media, Invalid Order.	Please exchange the media. The order of media volumes is incorrect.
Change Media, Not 1st Media	Please exchange the media. This is not the first media volume.
Change Media, Not TYPE 1 Backup.	Please exchange the media. This media was not backed up as TYPE 1.
Change Media, Not TYPE 2 Backup.	Please exchange the media. This media was not backed up as TYPE 2.
Change Media, Please	The media is an incorrect type. Please exchange it.
Device Error!	A problem has occurred with the SCSI device.
Directory Name Too Long!	The directory name is too long and cannot be displayed.
Directory Not Found!	The specified directory cannot be found.
Disk Full!	The disk has no free capacity.
File System Error!	An error has occurred in the file system of the internal hard disk.
Finalized Media!	The media has already been finalized.
Invalid Parameter!	The parameter setting exceeds the allowable range.
Media Error!	A problem has occurred on the media.
Media Full!	The media has no free space.
Media Protected!	The media is write-protected.

No Song to Backup!	There is no song to backup.
No Song to Edit!	There is no song has been selected for editing.
No Song to Load!	There is no song to load.
No Song to Restore!	There is no song to restore.
No Song to Save!	There is no song to save.
No Song to Write!	No songs to write to the CD have been selected.
No Song!	No songs can be found.
No Stereo Track!	There is no stereo track.
No Track to Open Wave Display!	There is no track data for waveform display.
Not WAV Drive!	The selected drive contains no WAV files.
Not WAV File!	The file is not a WAV file.
Partition Not Found!	The specified partition was not found.
Recall Channel Data Conflict!	The specified channel library cannot be loaded into this channel.
SCSI Error!	An error has occurred in the SCSI connection.
Selected Drive is not CD Drive!	The selected drive is not a CD drive.
Selected Drive is not Connected!	The selected drive is not connected.
Selected Preset is Effect2 Only!	The selected preset can be used only by effect 2.
Selected Song Status Conflict!	The track cannot be imported, since it is from a song with a different sampling frequency or quantization (bit length).
Selected Track is not Recorded!	The selected track is not recorded.
Too Many Regions!	There are too many regions.
Too Small Region!	Time compression/expansion cannot be executed since the region is too small.

Messages at power-on

Unformatted HDD	The internal hard disk has not been formatted for the AW2816. This message will be displayed if a new hard disk is installed.
Recognized AW4416-Formatted HDD	A hard disk formatted for the AW4416 is installed.
Can not find HDD	No internal hard disk is installed, and the AW2816 cannot start up correctly.
Illegal HDD!	A problem was found with the internal hard disk, and the AW2816 cannot start up correctly.
Format OK? [Y (Enter) /N (Any)]	If you want to format the internal hard disk for the AW2816, press the [ENTER] key. If you want to exchange the internal hard disk without formatting it for the AW2816, make sure that the access indicator is dark, and turn off the power.

Function...		Transmitted	Recognized	Remarks
Basic Channel	Default	1-16	1-16	Memorized
	Changed	1-16	1-16	Memorized
Mode	Default	X	OMNI off/OMNI on	Memorized
	Messages	X	X	
	Altered	*****	X	
Note Number	:True Voice	X	0-127	
		*****	X	
Velocity	Note On	X	X	
	Note Off	X	X	
After Touch	Key's	X	X	
	Ch's	X	X	
Pitch Bend		X	X	
Control Change	0-95,102-119	O	O	Assignable
Prog Change	:True#	0-127 *****	0-127 0-96	Assignable
System Exclusive		O	O	*1
System Common	:Song Pos	O	X	*2
	:Song Sel	X	X	
	:Tune	X	X	
System Real Time	:Clock	O	X	*2
	:Commands	O	X	*2
Aux Messages	:Local ON/OFF	X	X	
	:All Notes OFF	X	X	
	:Active Sense	X	O	
	:Reset	X	O	
Notes	MTC quarter frame message is transmitted. (When MTC Sync mode) MTC quarter frame message is recognized. (When MTC Sync mode) *1: MMC *2: When MCLK Sync mode For MIDI remote, ACC messages canbe transmitted.			

PROFESSIONAL AUDIO WORKSTATION

AW2816

PARTS LIST


■ CONTENTS

OVERALL ASSEMBLY	2
BOTTOM CHASSIS ASSEMBLY	5
ELECTRICAL PARTS	6

Notes : DESTINATION ABBREVIATIONS

A : Australian model	M: South African model
B : British model	O : Chinese model
C : Canadian model	Q : South-east Asia model
D : German model	T : Taiwan model
E : European model	U : U.S.A. model
F : French model	V : General export model (110V)
H : North European model	W: General export model (220V)
I : Indonesian model	N,X: General export model
J : Japanese model	Y : Export model

■ WARNING

Components having special characteristics are marked  and must be replaced with parts having specification equal to those originally installed.

- The numbers "QTY" show quantities for each unit.
- The parts with "--" in "PART NO." are not available as spare parts.
- This mark "}" in the REMARKS column means these parts are interchangeable.
- The second letter of the shaded (■) part number is O, not zero.
- The second letter of the shaded (■) part number is I, not one.

REF NO.	PART NO.	DESCRIPTION		REMARKS	QTY	RANK
	--	OVERALL ASSEMBLY		AW2816		
	--	Overall Assembly		J (V748600)		
	--	Overall Assembly		U,C,V (V748610)		
	--	Overall Assembly		H,B,W (V748620)		
* 10	V7486300	Circuit Board	MAIN			
30	--	Circuit Board	SUB			
* 30a	AAX25110	Circuit Board	SUB-CPU			
* 30b	AAX25120	Circuit Board	SUB-FADER			
* 30c	AAX25130	Circuit Board	SUB-INV			
* 30d	AAX25140	Circuit Board	SUB-MY			
* 40	V7546100	Power Supply Unit	XR655A	J,U,C,V		
* 40	V7546200	Power Supply Unit	XR655B	H,B,W		
* 50	V7719900	AC Inlet Assembly	AC INLET&FASTON			
50a	VC362700	Ferrite Core	FR25/15/12-1400L			04
50b	VL785200	AC-IN Connector	AC-P01CR02	AC INLET		03
60	V5605200	LCD	LM320191			23
* 70	MF135120	Cable	35P 120mm P=1.25		2	
* 80	MFA18180	Cable	18P 180mm P=1.0		2	
100	--	Connector Assembly	PH&PH 4P 160L	(V754640)		
110	--	Connector Assembly	PH&PH 6P 500L	(V754650)		
120	--	Connector Assembly	PH&PH 9P 330L	(V754660)		
* 130	V7546700	Connector Assembly	40P Flat Cable	MAIN TO CDR		
* 140	V8009300	HDD Cable Assembly	50P 170mm HDD Card			
240	VC362700	Ferrite Core	FR25/15/12-1400L			04
250	CB069250	Cord Holder	BK-1			01
260	V5678900	Saddle	EDS-1208U			01
280	--	Top Panel Assembly		(V801530)		
290	--	Bottom Chassis Assembly		(V674350)		
300	--	Bottom Cover Assembly		(V769610)		
* 300a	V6743900	Bottom Cover				
300b	V6009200	Foot	BS-19		4	01
310	--	Sub Chassis		(V674400)		
320	--	Rear Chassis		(V674410)		
330	V5623600	Holder, CD-RW				04
340	--	Support, LCD		(V688300)		
350	--	Cover, AC		(V701860)		
360	VZ678500	IF Plate				05
370	VL812900	Power Switch Knob		POWER ON/OFF		03
* 380	V7025000	LCD Cover	C36			
400	VR749700	Cord Holder	MFC-3000			02
410	V5634000	Knob	D11 GRAY/BLACK	MIC/LINE INPUT 1-8	8	02
420	V5634100	Knob	D11 RED/BLACK	PHONES, MONITOR OUT	2	02
* 440	V7438400	Fader Knob	BLACK/S-GRAY	1-8	8	
* 450	V7438500	Fader Knob	BLACK/RED	STEREO		
580	V5790300	Cover, Connector	B98			05
* 590	V8148800	Cover, HDD	C36			
600	V5639800	Cover, CD-RW	B98			05
610	V5641400	Plate, CD-RW	B98			01
* 620	V8086900	Shield LCD				
660	VI549000	U-shaped Holder	MET41-0191		9	01
* 670	V6135100	Shield, PSW	B98	U,C,V		
700	EP600190	Bind Head Tapping Screw-B	3.0X8 MFZN2BL		64	01
710	VT267800	Pan Head Screw	2.6X6 MFNI33		2	01
720	EP630210	Bind Head Tapping Screw-S	3.0X6 MFZN2BL		12	01
730	V5679500	Bind Head Tapping Screw-S	2.6X8 MFZN2Y		2	01
740	VU757900	Bind Head Tapping Screw-S	2.6X4 MFZN2Y		4	01
750	VB132700	Bind Head Screw	4.0X12 MFZN2BL		2	01
760	EG340340	Bind Head Screw	4.0X6 MFZN2BL		2	01
* 770	V7723000	Bind Head Tapping Screw-S	SP 3.0X6 MFZN2BL		4	
800	--	Label	(J) C36	J (V754250)		
800	--	Label	(J) C36	J (V754260)		
800	--	Label	(H) C36	H,B,W (V754270)		
810	--	FCC Label	FCC-UL	U,C,V (V607300)		
820	VA039300	Label	Date code			03
830	VA126100	Adhesive Tape	12X50			03
		ACCESSORIES				
	--	PWH Screw Assembly	<PWH 3X4> 8pcs	(VS676500 X8) (V806920)		
* X0152A00		CD-ROM	DEMO			
* V5805500		AC Cord	DC-487-J12 2.5m	J		05

*: New Parts

RANK: Japan only

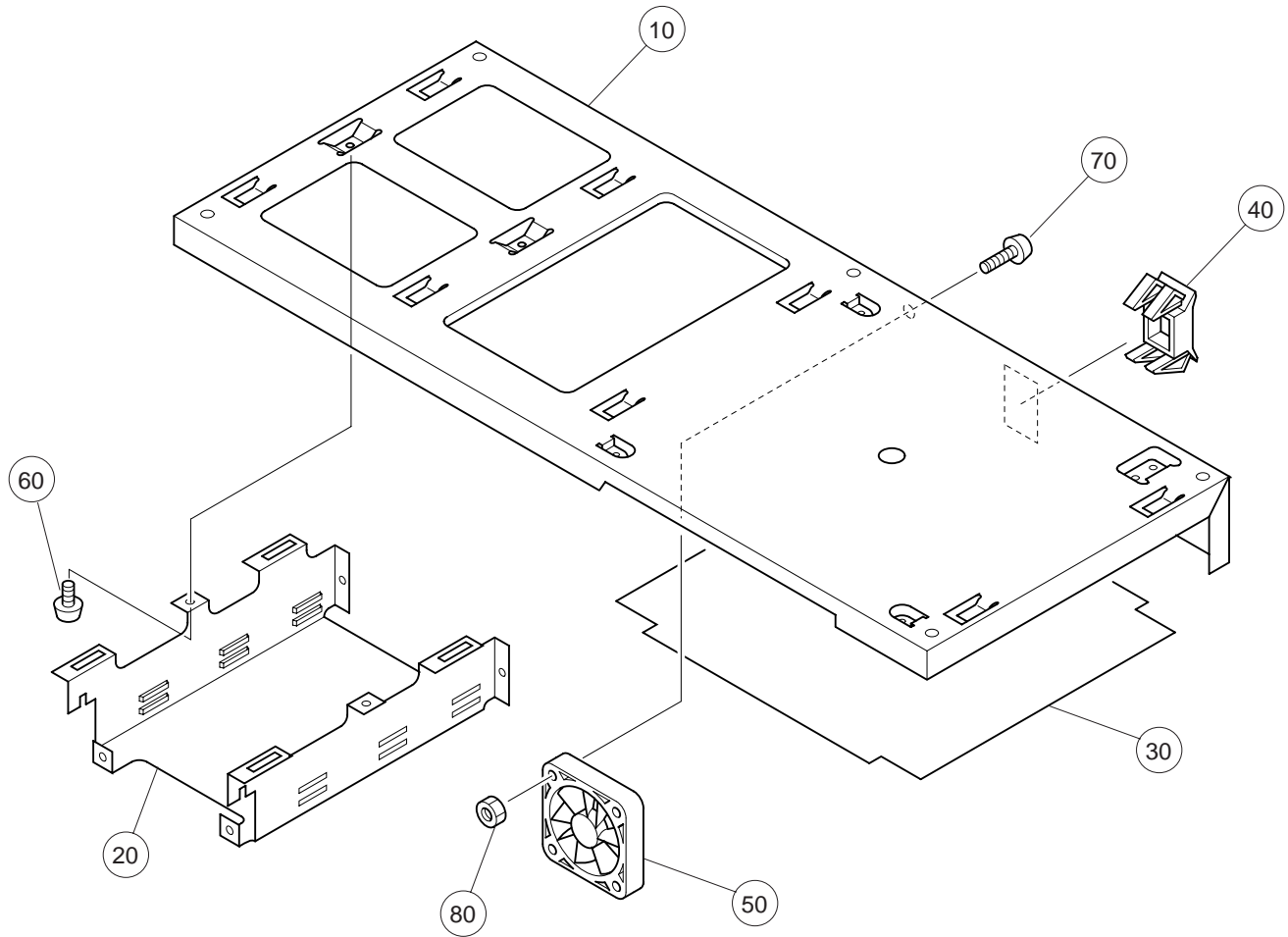


REF NO.	PART NO.	DESCRIPTION		REMARKS	QTY	RANK
	V6190600	AC Cord	CSA	U,C,V		07
	V6190700	AC Cord	VDE	H,W		08
	V6190800	AC Cord	BS 3P	B		10
	--	Top Panel Assembly		(V801530)		
* T10	V6743400	Top Cover Assembly				
T10a	--	Top Cover		(V674360)		
* T10b	V6743700	Cover, Fader				
* T10c	V7369600	Lens	C36	PEAK 1-8	8	
T10d	V5605300	Escutcheon	B98			01
T10e	EP600190	Bind Head Tapping Screw-B	3.0X8 MFZN2BL		3	01
T10f	VS676500	Pan Washer Head Screw	3.0X4 MFNI3-3		3	01
T10g	VE362600	Adhesive Tape	#500 W=5			05
* T20	V7486400	Circuit Board	PN			
* T30	V7369700	Button, Function	C36	SHIFT,F1-F5,CTRL		
* T40	V7368400	Button	MIXER	WORK NAVIGATE,UNIT,MIXER, MIXING LAYER		
* T50	V7368500	Button	SEL-ON	SEL,ON (1-16)	2	
* T60	V7368600	Button	SOLO	SEL,ON(STEREO,RNT1,2)SOLO		
* T70	V7368700	Button	REC-SEL	TRACK CUE, METER, REC TRACK SELECT		
* T80	V7368800	Button	SCENE	RECORDER,AUTOMATION,JOG, SCENE MEMORY,UNDO,REDO		
* T90	V7369000	Button	CURSOR	CURSOR(Left,Up,Down,Right		
* T100	V7369100	Button	TEN-KEY	NUM LOCATE,7/<,8/>,9/MARK, AUTO PUNCH,4/IN,5/OUT,6/ SET,REPEAT,1/A,2/B,3/ROLL BACK,-/+ ,0/RTZ, . ,CANCEL, ENTER		
* T110	V7369200	Button	TRANSPORT	REW,FF,STOP,PLAY,REC		
* T120	V7546900	Cable Assembly	50P 380mm			
T130	VZ677400	Knob-S	SMALL	RTN 1,2	2	03
T140	V2713700	Knob, Shuttle		SHUTTLE		06
T150	V2713800	Knob, Jog		DATA/JOG		03
T160	EP600190	Bind Head Tapping Screw-B	3.0X8 MFZN2BL		12	01
* T170	V8461900	Rubber Sponge Spacer	C-4266			

*: New Parts

RANK: Japan only

■ BOTTOM CHASSIS ASSEMBLY



REF NO.	PART NO.	DESCRIPTION		REMARKS	QTY	RANK
	--	BOTTOM CHASSIS ASSEMBLY		AW2816 (V674350)		
*	10	V6743800 Bottom Chassis				
	20	V5414300 Support, MY				04
*	30	V7541700 Shield, AC	C36			
	40	VL813000 Escutcheon, Power Switch				03
	50	V6124200 Fan Motor	DC F412R-12LLB			08
	60	EP630210 Bind Head Tapping Screw-S	3.0X6 MFZN2BL		2	01
*	70	V6139500 Pan Head Screw	SW 3.0X20 MFZN2BL		2	
	80	VA211900 Hexagonal Nut	3.0 MFZN2Y		2	01

*: New Parts

RANK: Japan only

ELECTRICAL PARTS

REF NO.	PART NO.	DESCRIPTION	REMARKS	QTY	RANK
*	V7486300	Circuit Board	ELECTRICAL PARTS	AW2816	
*	V7486400	Circuit Board	MAIN	(XZ715B0)	
*	AAX25110	Circuit Board	PN	(XZ716B0)	
*	AAX25120	Circuit Board	SUB-CPU	(V748650)(XZ717B0)	
*	AAX25130	Circuit Board	SUB-FADER	(V748650)(XZ717B0)	
*	AAX25140	Circuit Board	SUB-INV	(V748650)(XZ717B0)	
*	AAX25140	Circuit Board	SUB-MY	(V748650)(XZ717B0)	
*	V7486300	Circuit Board	MAIN	(XZ715B0)	
C101	UB052100	Monolithic Ceramic Cap.	SL 100P 50V J		01
C102	UB052100	Monolithic Ceramic Cap.	SL 100P 50V J		01
C103	UB051330	Monolithic Ceramic Cap.	SL 33P 50V J		01
C104	UB012220	Monolithic Ceramic Cap.	B 220P 50V K		01
C105	UF037100	Electrolytic Cap. (chip)	10 16V		01
C106	UB051100	Monolithic Ceramic Cap.	SL 10P 50V D		01
C107	UB012470	Monolithic Ceramic Cap.	B 470P 50V K		01
C108	UF119100	Electrolytic Cap. (chip)	1000 6.3V UUR0J1		02
C109	UB012470	Monolithic Ceramic Cap.	B 470P 50V K		01
C110	VJ097400	Electrolytic Cap.-KL	10.00 50V		01
C111	UB012220	Monolithic Ceramic Cap.	B 220P 50V K		01
C112	UB245100	Monolithic Ceramic Cap.	F 0.100 25V Z		01
C113	UF037100	Electrolytic Cap. (chip)	10 16V		01
C114	UB051100	Monolithic Ceramic Cap.	SL 10P 50V D		01
C115	UB012220	Monolithic Ceramic Cap.	B 220P 50V K		01
C116	UB245100	Monolithic Ceramic Cap.	F 0.100 25V Z		01
C117	VJ097400	Electrolytic Cap.-KL	10.00 50V		01
C118	UF066470	Electrolytic Cap. (chip)	4.7 50V		01
C119	UB245100	Monolithic Ceramic Cap.	F 0.100 25V Z		01
C120	UB214470	Monolithic Ceramic Cap.	B 0.047 25V K		01
C121	UB245100	Monolithic Ceramic Cap.	F 0.100 25V Z		01
C122	UR878100	Electrolytic Cap.	100.00 63V		01
C123	UR878100	Electrolytic Cap.	100.00 63V		01
C124	UB245100	Monolithic Ceramic Cap.	F 0.100 25V Z		01
C125	UB052100	Monolithic Ceramic Cap.	SL 100P 50V J		01
C126	UB052100	Monolithic Ceramic Cap.	SL 100P 50V J		01
C127	UB051330	Monolithic Ceramic Cap.	SL 33P 50V J		01
C128	UB012220	Monolithic Ceramic Cap.	B 220P 50V K		01
C129	UF037100	Electrolytic Cap. (chip)	10 16V		01
C130	UB051100	Monolithic Ceramic Cap.	SL 10P 50V D		01
C131	UB012470	Monolithic Ceramic Cap.	B 470P 50V K		01
C132	UF119100	Electrolytic Cap. (chip)	1000 6.3V UUR0J1		02
C133	UB012470	Monolithic Ceramic Cap.	B 470P 50V K		01
C134	VJ097400	Electrolytic Cap.-KL	10.00 50V		01
C135	UB012220	Monolithic Ceramic Cap.	B 220P 50V K		01
C136	UB245100	Monolithic Ceramic Cap.	F 0.100 25V Z		01
C137	UF037100	Electrolytic Cap. (chip)	10 16V		01
C138	UB245100	Monolithic Ceramic Cap.	F 0.100 25V Z		01
C139	UB051100	Monolithic Ceramic Cap.	SL 10P 50V D		01
C140	UB012220	Monolithic Ceramic Cap.	B 220P 50V K		01
C141	VJ097400	Electrolytic Cap.-KL	10.00 50V		01
C142	UB245100	Monolithic Ceramic Cap.	F 0.100 25V Z		01
C143	UF066470	Electrolytic Cap. (chip)	4.7 50V		01
C144	UB214470	Monolithic Ceramic Cap.	B 0.047 25V K		01
C145	UB245100	Monolithic Ceramic Cap.	F 0.100 25V Z		01
C146	UB245100	Monolithic Ceramic Cap.	F 0.100 25V Z		01
C147	UB052100	Monolithic Ceramic Cap.	SL 100P 50V J		01
C148	UB245100	Monolithic Ceramic Cap.	F 0.100 25V Z		01
C149	UB052100	Monolithic Ceramic Cap.	SL 100P 50V J		01
C150	UB051330	Monolithic Ceramic Cap.	SL 33P 50V J		01
C151	UB245100	Monolithic Ceramic Cap.	F 0.100 25V Z		01
C152	UB012220	Monolithic Ceramic Cap.	B 220P 50V K		01
C153	UF037100	Electrolytic Cap. (chip)	10 16V		01
C154	UB245100	Monolithic Ceramic Cap.	F 0.100 25V Z		01
C155	UF037100	Electrolytic Cap. (chip)	10 16V		01
C156	UB051100	Monolithic Ceramic Cap.	SL 10P 50V D		01
C157	UB012470	Monolithic Ceramic Cap.	B 470P 50V K		01
C158	UF119100	Electrolytic Cap. (chip)	1000 6.3V UUR0J1		02
C159	UB012470	Monolithic Ceramic Cap.	B 470P 50V K		01
C160	UF067100	Electrolytic Cap. (chip)	10 50V		01
C161	UB012220	Monolithic Ceramic Cap.	B 220P 50V K		01

*: New Parts

RANK: Japan only

REF NO.	PART NO.	DESCRIPTION		REMARKS	QTY	RANK
C162	UF066470	Electrolytic Cap. (chip)	4.7 50V			01
C163	UB245100	Monolithic Ceramic Cap.	F 0.100 25V Z			01
C164	UB214470	Monolithic Ceramic Cap.	B 0.047 25V K			01
C165	UB051100	Monolithic Ceramic Cap.	SL 10P 50V D			01
C166	UB012220	Monolithic Ceramic Cap.	B 220P 50V K			01
C167	UB245100	Monolithic Ceramic Cap.	F 0.100 25V Z			01
C168	UF067100	Electrolytic Cap. (chip)	10 50V			01
C169	UB052100	Monolithic Ceramic Cap.	SL 100P 50V J			01
C170	UB245100	Monolithic Ceramic Cap.	F 0.100 25V Z			01
C171	UB052100	Monolithic Ceramic Cap.	SL 100P 50V J			01
C172	UB051330	Monolithic Ceramic Cap.	SL 33P 50V J			01
C173	UB245100	Monolithic Ceramic Cap.	F 0.100 25V Z			01
C174	UB012220	Monolithic Ceramic Cap.	B 220P 50V K			01
C175	UF037100	Electrolytic Cap. (chip)	10 16V			01
C176	UB245100	Monolithic Ceramic Cap.	F 0.100 25V Z			01
C177	UF037100	Electrolytic Cap. (chip)	10 16V			01
C178	UB051100	Monolithic Ceramic Cap.	SL 10P 50V D			01
C179	UB012470	Monolithic Ceramic Cap.	B 470P 50V K			01
C180	UF119100	Electrolytic Cap. (chip)	1000 6.3V UUR0J1			02
C181	UB012470	Monolithic Ceramic Cap.	B 470P 50V K			01
C182	UF067100	Electrolytic Cap. (chip)	10 50V			01
C183	UB012220	Monolithic Ceramic Cap.	B 220P 50V K			01
C184	UB245100	Monolithic Ceramic Cap.	F 0.100 25V Z			01
C185	UF066470	Electrolytic Cap. (chip)	4.7 50V			01
C186	UB214470	Monolithic Ceramic Cap.	B 0.047 25V K			01
C187	UB051100	Monolithic Ceramic Cap.	SL 10P 50V D			01
C188	UB012220	Monolithic Ceramic Cap.	B 220P 50V K			01
C189	UB245100	Monolithic Ceramic Cap.	F 0.100 25V Z			01
C190	UF067100	Electrolytic Cap. (chip)	10 50V			01
C191	UF038100	Electrolytic Cap. (chip)	100 16V			01
-193	UF038100	Electrolytic Cap. (chip)	100 16V			01
C194	UF148100	Electrolytic Cap. (chip)	100 25V UUR1E1			01
C195	UF148100	Electrolytic Cap. (chip)	100 25V UUR1E1			01
C201	UB052100	Monolithic Ceramic Cap.	SL 100P 50V J			01
C202	UB245100	Monolithic Ceramic Cap.	F 0.100 25V Z			01
C203	UB052100	Monolithic Ceramic Cap.	SL 100P 50V J			01
C204	UB051330	Monolithic Ceramic Cap.	SL 33P 50V J			01
C205	UB245100	Monolithic Ceramic Cap.	F 0.100 25V Z			01
C206	UB012220	Monolithic Ceramic Cap.	B 220P 50V K			01
C207	UF037100	Electrolytic Cap. (chip)	10 16V			01
C208	UB245100	Monolithic Ceramic Cap.	F 0.100 25V Z			01
C209	UF037100	Electrolytic Cap. (chip)	10 16V			01
C210	UB051100	Monolithic Ceramic Cap.	SL 10P 50V D			01
C211	UB012470	Monolithic Ceramic Cap.	B 470P 50V K			01
C212	UF119100	Electrolytic Cap. (chip)	1000 6.3V UUR0J1			02
C213	UB012470	Monolithic Ceramic Cap.	B 470P 50V K			01
C214	UF067100	Electrolytic Cap. (chip)	10 50V			01
C215	UB012220	Monolithic Ceramic Cap.	B 220P 50V K			01
C216	UB245100	Monolithic Ceramic Cap.	F 0.100 25V Z			01
C217	UF066470	Electrolytic Cap. (chip)	4.7 50V			01
C218	UB214470	Monolithic Ceramic Cap.	B 0.047 25V K			01
C219	UB051100	Monolithic Ceramic Cap.	SL 10P 50V D			01
C220	UB012220	Monolithic Ceramic Cap.	B 220P 50V K			01
C221	UB245100	Monolithic Ceramic Cap.	F 0.100 25V Z			01
C222	UF067100	Electrolytic Cap. (chip)	10 50V			01
C223	UB052100	Monolithic Ceramic Cap.	SL 100P 50V J			01
C224	UB052100	Monolithic Ceramic Cap.	SL 100P 50V J			01
C225	UB245100	Monolithic Ceramic Cap.	F 0.100 25V Z			01
C226	UB051330	Monolithic Ceramic Cap.	SL 33P 50V J			01
C227	UB245100	Monolithic Ceramic Cap.	F 0.100 25V Z			01
C228	UB012220	Monolithic Ceramic Cap.	B 220P 50V K			01
C229	UF037100	Electrolytic Cap. (chip)	10 16V			01
C230	UB245100	Monolithic Ceramic Cap.	F 0.100 25V Z			01
C231	UF037100	Electrolytic Cap. (chip)	10 16V			01
C232	UB051100	Monolithic Ceramic Cap.	SL 10P 50V D			01
C233	UB012470	Monolithic Ceramic Cap.	B 470P 50V K			01
C234	UF119100	Electrolytic Cap. (chip)	1000 6.3V UUR0J1			02
C235	UB012470	Monolithic Ceramic Cap.	B 470P 50V K			01
C236	UF067100	Electrolytic Cap. (chip)	10 50V			01
C237	UB245100	Monolithic Ceramic Cap.	F 0.100 25V Z			01

*: New Parts

RANK: Japan only

REF NO.	PART NO.	DESCRIPTION	REMARKS	QTY	RANK
C238	UB012220	Monolithic Ceramic Cap.	B 220P 50V K		01
C239	UF066470	Electrolytic Cap. (chip)	4.7 50V		01
C240	UB245100	Monolithic Ceramic Cap.	F 0.100 25V Z		01
C241	UB214470	Monolithic Ceramic Cap.	B 0.047 25V K		01
C242	UB051100	Monolithic Ceramic Cap.	SL 10P 50V D		01
C243	UB012220	Monolithic Ceramic Cap.	B 220P 50V K		01
C244	UF067100	Electrolytic Cap. (chip)	10 50V		01
C245	UB052100	Monolithic Ceramic Cap.	SL 100P 50V J		01
C246	UB052100	Monolithic Ceramic Cap.	SL 100P 50V J		01
C247	UB245100	Monolithic Ceramic Cap.	F 0.100 25V Z		01
C248	UB051330	Monolithic Ceramic Cap.	SL 33P 50V J		01
C249	UB245100	Monolithic Ceramic Cap.	F 0.100 25V Z		01
C250	UB012220	Monolithic Ceramic Cap.	B 220P 50V K		01
C251	UF037100	Electrolytic Cap. (chip)	10 16V		01
C252	UB245100	Monolithic Ceramic Cap.	F 0.100 25V Z		01
C253	UF037100	Electrolytic Cap. (chip)	10 16V		01
C254	UB051100	Monolithic Ceramic Cap.	SL 10P 50V D		01
C255	UB012470	Monolithic Ceramic Cap.	B 470P 50V K		01
C256	UF119100	Electrolytic Cap. (chip)	1000 6.3V UUR0J1		02
C257	UB012470	Monolithic Ceramic Cap.	B 470P 50V K		01
C258	UF067100	Electrolytic Cap. (chip)	10 50V		01
C259	UB245100	Monolithic Ceramic Cap.	F 0.100 25V Z		01
C260	UB012220	Monolithic Ceramic Cap.	B 220P 50V K		01
C261	UF066470	Electrolytic Cap. (chip)	4.7 50V		01
C262	UB245100	Monolithic Ceramic Cap.	F 0.100 25V Z		01
C263	UB214470	Monolithic Ceramic Cap.	B 0.047 25V K		01
C264	UB051100	Monolithic Ceramic Cap.	SL 10P 50V D		01
C265	UB012220	Monolithic Ceramic Cap.	B 220P 50V K		01
C266	UF067100	Electrolytic Cap. (chip)	10 50V		01
C267	UB052100	Monolithic Ceramic Cap.	SL 100P 50V J		01
C268	UB245100	Monolithic Ceramic Cap.	F 0.100 25V Z		01
C269	UB052100	Monolithic Ceramic Cap.	SL 100P 50V J		01
C270	UB051330	Monolithic Ceramic Cap.	SL 33P 50V J		01
C271	UB245100	Monolithic Ceramic Cap.	F 0.100 25V Z		01
C272	UB245100	Monolithic Ceramic Cap.	F 0.100 25V Z		01
C273	UB012220	Monolithic Ceramic Cap.	B 220P 50V K		01
C274	UB245100	Monolithic Ceramic Cap.	F 0.100 25V Z		01
C275	UF037100	Electrolytic Cap. (chip)	10 16V		01
C276	UB245100	Monolithic Ceramic Cap.	F 0.100 25V Z		01
C277	UF037100	Electrolytic Cap. (chip)	10 16V		01
C278	UB051100	Monolithic Ceramic Cap.	SL 10P 50V D		01
C279	UB012470	Monolithic Ceramic Cap.	B 470P 50V K		01
C280	UF119100	Electrolytic Cap. (chip)	1000 6.3V UUR0J1		02
C281	UB012470	Monolithic Ceramic Cap.	B 470P 50V K		01
C282	UF067100	Electrolytic Cap. (chip)	10 50V		01
C283	UB245100	Monolithic Ceramic Cap.	F 0.100 25V Z		01
C284	UB012220	Monolithic Ceramic Cap.	B 220P 50V K		01
C285	UF066470	Electrolytic Cap. (chip)	4.7 50V		01
C286	UB245100	Monolithic Ceramic Cap.	F 0.100 25V Z		01
C287	UB214470	Monolithic Ceramic Cap.	B 0.047 25V K		01
C288	UB051100	Monolithic Ceramic Cap.	SL 10P 50V D		01
C289	UB012220	Monolithic Ceramic Cap.	B 220P 50V K		01
C290	UF067100	Electrolytic Cap. (chip)	10 50V		01
C291	UN866100	Electrolytic Cap.-BP	1.00 50V		01
C292	UB012470	Monolithic Ceramic Cap.	B 470P 50V K		01
C301	UB245100	Monolithic Ceramic Cap.	F 0.100 25V Z		01
C302	UR829100	Electrolytic Cap.	1000 10V		01
C303	UB245100	Monolithic Ceramic Cap.	F 0.100 25V Z		01
C304	UF066220	Electrolytic Cap. (chip)	2.2 50V		01
C305	UF037100	Electrolytic Cap. (chip)	10 16V		01
C306	VR329300	Mylar Capacitor (chip)	0.0015 50V J		01
C307	UF037100	Electrolytic Cap. (chip)	10 16V		01
C308	UB012470	Monolithic Ceramic Cap.	B 470P 50V K		01
* C309	VR325700	Mylar Capacitor (chip)	0.0033 16V J		01
C310	UB012470	Monolithic Ceramic Cap.	B 470P 50V K		01
C311	UB245100	Monolithic Ceramic Cap.	F 0.100 25V Z		01
C312	UB245100	Monolithic Ceramic Cap.	F 0.100 25V Z		01
C313	VR329300	Mylar Capacitor (chip)	0.0015 50V J		01
C314	UB051560	Monolithic Ceramic Cap.	SL 56P 50V J		01
C315	UB245100	Monolithic Ceramic Cap.	F 0.100 25V Z		01

*: New Parts

RANK: Japan only

REF NO.	PART NO.	DESCRIPTION		REMARKS	QTY	RANK
C316	UF037100	Electrolytic Cap. (chip)	10 16V			01
-319	UF037100	Electrolytic Cap. (chip)	10 16V			01
C320	UB012470	Monolithic Ceramic Cap.	B 470P 50V K			01
* C321	VR325700	Mylar Capacitor (chip)	0.0033 16V J			
C322	UB012470	Monolithic Ceramic Cap.	B 470P 50V K			01
C323	UB051560	Monolithic Ceramic Cap.	SL 56P 50V J			01
C324	UB245100	Monolithic Ceramic Cap.	F 0.100 25V Z			01
C325	UB245100	Monolithic Ceramic Cap.	F 0.100 25V Z			01
C326	UF037100	Electrolytic Cap. (chip)	10 16V			01
C327	UB245100	Monolithic Ceramic Cap.	F 0.100 25V Z			01
-329	UB245100	Monolithic Ceramic Cap.	F 0.100 25V Z			01
C330	UR829100	Electrolytic Cap.	1000 10V			01
C331	UB245100	Monolithic Ceramic Cap.	F 0.100 25V Z			01
C332	UF066220	Electrolytic Cap. (chip)	2.2 50V			01
C333	UF037100	Electrolytic Cap. (chip)	10 16V			01
C334	VR329300	Mylar Capacitor (chip)	0.0015 50V J			01
C335	UF037100	Electrolytic Cap. (chip)	10 16V			01
C336	UB012470	Monolithic Ceramic Cap.	B 470P 50V K			01
* C337	VR325700	Mylar Capacitor (chip)	0.0033 16V J			
C338	UB012470	Monolithic Ceramic Cap.	B 470P 50V K			01
C339	UB245100	Monolithic Ceramic Cap.	F 0.100 25V Z			01
C340	UB245100	Monolithic Ceramic Cap.	F 0.100 25V Z			01
C341	VR329300	Mylar Capacitor (chip)	0.0015 50V J			01
C342	UB051560	Monolithic Ceramic Cap.	SL 56P 50V J			01
C343	UB245100	Monolithic Ceramic Cap.	F 0.100 25V Z			01
C344	UF037100	Electrolytic Cap. (chip)	10 16V			01
-347	UF037100	Electrolytic Cap. (chip)	10 16V			01
C348	UB012470	Monolithic Ceramic Cap.	B 470P 50V K			01
* C349	VR325700	Mylar Capacitor (chip)	0.0033 16V J			
C350	UB012470	Monolithic Ceramic Cap.	B 470P 50V K			01
C351	UB051560	Monolithic Ceramic Cap.	SL 56P 50V J			01
C352	UB245100	Monolithic Ceramic Cap.	F 0.100 25V Z			01
C353	UB245100	Monolithic Ceramic Cap.	F 0.100 25V Z			01
C354	UF037100	Electrolytic Cap. (chip)	10 16V			01
C355	UB245100	Monolithic Ceramic Cap.	F 0.100 25V Z			01
-357	UB245100	Monolithic Ceramic Cap.	F 0.100 25V Z			01
C358	UR829100	Electrolytic Cap.	1000 10V			01
C359	UB245100	Monolithic Ceramic Cap.	F 0.100 25V Z			01
C360	UF066220	Electrolytic Cap. (chip)	2.2 50V			01
C361	UF037100	Electrolytic Cap. (chip)	10 16V			01
C362	VR329300	Mylar Capacitor (chip)	0.0015 50V J			01
C363	UF037100	Electrolytic Cap. (chip)	10 16V			01
C364	UB012470	Monolithic Ceramic Cap.	B 470P 50V K			01
* C365	VR325700	Mylar Capacitor (chip)	0.0033 16V J			
C366	UB012470	Monolithic Ceramic Cap.	B 470P 50V K			01
C367	UB245100	Monolithic Ceramic Cap.	F 0.100 25V Z			01
C368	UB245100	Monolithic Ceramic Cap.	F 0.100 25V Z			01
C369	VR329300	Mylar Capacitor (chip)	0.0015 50V J			01
C370	UB052100	Monolithic Ceramic Cap.	SL 100P 50V J			01
C371	UB245100	Monolithic Ceramic Cap.	F 0.100 25V Z			01
C372	UF037100	Electrolytic Cap. (chip)	10 16V			01
-375	UF037100	Electrolytic Cap. (chip)	10 16V			01
C376	UB012470	Monolithic Ceramic Cap.	B 470P 50V K			01
* C377	VR325700	Mylar Capacitor (chip)	0.0033 16V J			
C378	UB012470	Monolithic Ceramic Cap.	B 470P 50V K			01
C379	UB052100	Monolithic Ceramic Cap.	SL 100P 50V J			01
C380	UB245100	Monolithic Ceramic Cap.	F 0.100 25V Z			01
C381	UB245100	Monolithic Ceramic Cap.	F 0.100 25V Z			01
C382	UF037100	Electrolytic Cap. (chip)	10 16V			01
C383	UB245100	Monolithic Ceramic Cap.	F 0.100 25V Z			01
-385	UB245100	Monolithic Ceramic Cap.	F 0.100 25V Z			01
C386	UR829100	Electrolytic Cap.	1000 10V			01
C387	UB245100	Monolithic Ceramic Cap.	F 0.100 25V Z			01
C388	UF066220	Electrolytic Cap. (chip)	2.2 50V			01
C389	UF037100	Electrolytic Cap. (chip)	10 16V			01
C390	VR329300	Mylar Capacitor (chip)	0.0015 50V J			01
C391	UF037100	Electrolytic Cap. (chip)	10 16V			01
C392	UF037100	Electrolytic Cap. (chip)	10 16V			01
C394	UB012470	Monolithic Ceramic Cap.	B 470P 50V K			01
* C395	VR325700	Mylar Capacitor (chip)	0.0033 16V J			

*: New Parts

RANK: Japan only

REF NO.	PART NO.	DESCRIPTION	REMARKS	QTY	RANK
C396	UB051220	Monolithic Ceramic Cap.	SL 22P 50V J		01
C397	UB012470	Monolithic Ceramic Cap.	B 470P 50V K		01
C398	UB245100	Monolithic Ceramic Cap.	F 0.100 25V Z		01
C399	UB245100	Monolithic Ceramic Cap.	F 0.100 25V Z		01
C400	VR329300	Mylar Capacitor (chip)	0.0015 50V J		01
C401	UB245100	Monolithic Ceramic Cap.	F 0.100 25V Z		01
C402	UF037100	Electrolytic Cap. (chip)	10 16V		01
C403	UF037100	Electrolytic Cap. (chip)	10 16V		01
C404	UB245100	Monolithic Ceramic Cap.	F 0.100 25V Z		01
C405	UF037100	Electrolytic Cap. (chip)	10 16V		01
C406	UB245100	Monolithic Ceramic Cap.	F 0.100 25V Z		01
C407	UF037100	Electrolytic Cap. (chip)	10 16V		01
C408	UF037100	Electrolytic Cap. (chip)	10 16V		01
C410	UB012470	Monolithic Ceramic Cap.	B 470P 50V K		01
* C411	VR325700	Mylar Capacitor (chip)	0.0033 16V J		01
C412	UB051220	Monolithic Ceramic Cap.	SL 22P 50V J		01
C413	UB012470	Monolithic Ceramic Cap.	B 470P 50V K		01
C414	UF037100	Electrolytic Cap. (chip)	10 16V		01
C415	UB245100	Monolithic Ceramic Cap.	F 0.100 25V Z		01
C416	UB051330	Monolithic Ceramic Cap.	SL 33P 50V J		01
C417	UB245100	Monolithic Ceramic Cap.	F 0.100 25V Z		01
C418	UF057100	Electrolytic Cap. (chip)	10 35V		01
C419	UB245100	Monolithic Ceramic Cap.	F 0.100 25V Z		01
C420	UB051330	Monolithic Ceramic Cap.	SL 33P 50V J		01
C421	UB245100	Monolithic Ceramic Cap.	F 0.100 25V Z		01
C422	UF057100	Electrolytic Cap. (chip)	10 35V		01
C423	UB051330	Monolithic Ceramic Cap.	SL 33P 50V J		01
C424	UF057100	Electrolytic Cap. (chip)	10 35V		01
C425	UB245100	Monolithic Ceramic Cap.	F 0.100 25V Z		01
C426	UB051330	Monolithic Ceramic Cap.	SL 33P 50V J		01
C427	UB245100	Monolithic Ceramic Cap.	F 0.100 25V Z		01
C428	UF057100	Electrolytic Cap. (chip)	10 35V		01
C429	UF037470	Electrolytic Cap. (chip)	47 16V		01
C430	UF037100	Electrolytic Cap. (chip)	10 16V		01
C432	UF038100	Electrolytic Cap. (chip)	100 16V		01
C433	UB051100	Monolithic Ceramic Cap.	SL 10P 50V D		01
C434	UF047100	Electrolytic Cap. (chip)	10 25V		01
C435	UF047100	Electrolytic Cap. (chip)	10 25V		01
C437	UF037100	Electrolytic Cap. (chip)	10 16V		01
C438	UF038100	Electrolytic Cap. (chip)	100 16V		01
C439	UB051100	Monolithic Ceramic Cap.	SL 10P 50V D		01
C451	UB245100	Monolithic Ceramic Cap.	F 0.100 25V Z		01
-453	UB245100	Monolithic Ceramic Cap.	F 0.100 25V Z		01
C457	UB245100	Monolithic Ceramic Cap.	F 0.100 25V Z		01
-464	UB245100	Monolithic Ceramic Cap.	F 0.100 25V Z		01
C466	UB245100	Monolithic Ceramic Cap.	F 0.100 25V Z		01
C468	UB245100	Monolithic Ceramic Cap.	F 0.100 25V Z		01
C470	UB245100	Monolithic Ceramic Cap.	F 0.100 25V Z		01
-472	UB245100	Monolithic Ceramic Cap.	F 0.100 25V Z		01
C473	UF038100	Electrolytic Cap. (chip)	100 16V		01
C474	UB245100	Monolithic Ceramic Cap.	F 0.100 25V Z		01
C475	VP864400	Mylar Capacitor (chip)	0.0047 16V J		01
C476	UB245100	Monolithic Ceramic Cap.	F 0.100 25V Z		01
C479	UB245100	Monolithic Ceramic Cap.	F 0.100 25V Z		01
C480	UB051330	Monolithic Ceramic Cap.	SL 33P 50V J		01
C481	UB245100	Monolithic Ceramic Cap.	F 0.100 25V Z		01
C482	UB245100	Monolithic Ceramic Cap.	F 0.100 25V Z		01
C483	UB013100	Monolithic Ceramic Cap.	B 1000P 50V K		01
C484	UB245100	Monolithic Ceramic Cap.	F 0.100 25V Z		01
C485	UB245100	Monolithic Ceramic Cap.	F 0.100 25V Z		01
C486	UB051330	Monolithic Ceramic Cap.	SL 33P 50V J		01
C487	UF066100	Electrolytic Cap. (chip)	1 50V		01
C488	UB245100	Monolithic Ceramic Cap.	F 0.100 25V Z		01
-495	UB245100	Monolithic Ceramic Cap.	F 0.100 25V Z		01
C496	UF038100	Electrolytic Cap. (chip)	100 16V		01
C497	UB245100	Monolithic Ceramic Cap.	F 0.100 25V Z		01
C499	UB245100	Monolithic Ceramic Cap.	F 0.100 25V Z		01
C500	UF038100	Electrolytic Cap. (chip)	100 16V		01
C501	UF038100	Electrolytic Cap. (chip)	100 16V		01
C502	UB245100	Monolithic Ceramic Cap.	F 0.100 25V Z		01

*: New Parts

RANK: Japan only

REF NO.	PART NO.	DESCRIPTION		REMARKS	QTY	RANK
-505	UB245100	Monolithic Ceramic Cap.	F 0.100 25V Z			01
C506	UF038100	Electrolytic Cap. (chip)	100 16V			01
C551	UB245100	Monolithic Ceramic Cap.	F 0.100 25V Z			01
C552	UB245100	Monolithic Ceramic Cap.	F 0.100 25V Z			01
C553	UB051180	Monolithic Ceramic Cap.	SL 18P 50V J			01
C554	UB245100	Monolithic Ceramic Cap.	F 0.100 25V Z			01
C555	UB051150	Monolithic Ceramic Cap.	SL 15P 50V J			01
C556	UB245100	Monolithic Ceramic Cap.	F 0.100 25V Z			01
-558	UB245100	Monolithic Ceramic Cap.	F 0.100 25V Z			01
C559	UB012470	Monolithic Ceramic Cap.	B 470P 50V K			01
C560	UB051220	Monolithic Ceramic Cap.	SL 22P 50V J			01
C561	UB051220	Monolithic Ceramic Cap.	SL 22P 50V J			01
C562	UB245100	Monolithic Ceramic Cap.	F 0.100 25V Z			01
-577	UB245100	Monolithic Ceramic Cap.	F 0.100 25V Z			01
C579	FG652120	Ceramic Capacitor	120P 50V K			01
C601	UB245100	Monolithic Ceramic Cap.	F 0.100 25V Z			01
C602	UB245100	Monolithic Ceramic Cap.	F 0.100 25V Z			01
C603	UB051270	Monolithic Ceramic Cap.	SL 27P 50V J			01
C604	UB051270	Monolithic Ceramic Cap.	SL 27P 50V J			01
C605	UB245100	Monolithic Ceramic Cap.	F 0.100 25V Z			01
-611	UB245100	Monolithic Ceramic Cap.	F 0.100 25V Z			01
C612	UB215100	Monolithic Ceramic Cap.	B 0.100 25V K			01
C613	UB245100	Monolithic Ceramic Cap.	F 0.100 25V Z			01
C614	UB014220	Monolithic Ceramic Cap.	B 0.022 50V K			01
C615	UB013100	Monolithic Ceramic Cap.	B 1000P 50V K			01
C616	UB013100	Monolithic Ceramic Cap.	B 1000P 50V K			01
C617	UB051560	Monolithic Ceramic Cap.	SL 56P 50V J			01
C618	UB245100	Monolithic Ceramic Cap.	F 0.100 25V Z			01
-621	UB245100	Monolithic Ceramic Cap.	F 0.100 25V Z			01
C622	UB215100	Monolithic Ceramic Cap.	B 0.100 25V K			01
C623	UB014220	Monolithic Ceramic Cap.	B 0.022 50V K			01
C624	UB013100	Monolithic Ceramic Cap.	B 1000P 50V K			01
C625	UB245100	Monolithic Ceramic Cap.	F 0.100 25V Z			01
C626	UB245100	Monolithic Ceramic Cap.	F 0.100 25V Z			01
C627	UB013100	Monolithic Ceramic Cap.	B 1000P 50V K			01
C628	UB245100	Monolithic Ceramic Cap.	F 0.100 25V Z			01
C629	UB051560	Monolithic Ceramic Cap.	SL 56P 50V J			01
C631	FG652100	Ceramic Capacitor-SL	100P 50V J			01
C701	UF038100	Electrolytic Cap. (chip)	100 16V			01
C702	UB245100	Monolithic Ceramic Cap.	F 0.100 25V Z			01
-704	UB245100	Monolithic Ceramic Cap.	F 0.100 25V Z			01
C705	UF038100	Electrolytic Cap. (chip)	100 16V			01
C706	UB245100	Monolithic Ceramic Cap.	F 0.100 25V Z			01
C707	UF038100	Electrolytic Cap. (chip)	100 16V			01
C708	UB245100	Monolithic Ceramic Cap.	F 0.100 25V Z			01
-710	UB245100	Monolithic Ceramic Cap.	F 0.100 25V Z			01
C711	UB012470	Monolithic Ceramic Cap.	B 470P 50V K			01
C712	UB052100	Monolithic Ceramic Cap.	SL 100P 50V J			01
C713	UB051270	Monolithic Ceramic Cap.	SL 27P 50V J			01
C714	UB051270	Monolithic Ceramic Cap.	SL 27P 50V J			01
C715	UB245100	Monolithic Ceramic Cap.	F 0.100 25V Z			01
-731	UB245100	Monolithic Ceramic Cap.	F 0.100 25V Z			01
C732	UF038100	Electrolytic Cap. (chip)	100 16V			01
C733	UB245100	Monolithic Ceramic Cap.	F 0.100 25V Z			01
-739	UB245100	Monolithic Ceramic Cap.	F 0.100 25V Z			01
C740	UF038100	Electrolytic Cap. (chip)	100 16V			01
C741	UB245100	Monolithic Ceramic Cap.	F 0.100 25V Z			01
-747	UB245100	Monolithic Ceramic Cap.	F 0.100 25V Z			01
C748	UF038100	Electrolytic Cap. (chip)	100 16V			01
C749	UB245100	Monolithic Ceramic Cap.	F 0.100 25V Z			01
-751	UB245100	Monolithic Ceramic Cap.	F 0.100 25V Z			01
C753	UB245100	Monolithic Ceramic Cap.	F 0.100 25V Z			01
C755	UB052100	Monolithic Ceramic Cap.	SL 100P 50V J			01
C756	UB050500	Monolithic Ceramic Cap.	SL 5P 50V C			01
C757	UB050500	Monolithic Ceramic Cap.	SL 5P 50V C			01
C758	UB245100	Monolithic Ceramic Cap.	F 0.100 25V Z			01
C759	UB245100	Monolithic Ceramic Cap.	F 0.100 25V Z			01
C761	UB245100	Monolithic Ceramic Cap.	F 0.100 25V Z			01
C763	UB245100	Monolithic Ceramic Cap.	F 0.100 25V Z			01
C764	UF066220	Electrolytic Cap. (chip)	2.2 50V			01
CN101	VB390200	Connector Base Post	PH 6P TE			01

*: New Parts

RANK: Japan only

REF NO.	PART NO.	DESCRIPTION	REMARKS	QTY	RANK
CN301	VB390800	Connector Base Post	PH 12P TE		01
CN401	VB390500	Connector Base Post	PH 9P TE		03
CN502	VB390800	Connector Base Post	PH 12P TE		01
CN503	VQ048400	Connector, FFC	52045 35P TE		01
CN504	VQ048400	Connector, FFC	52045 35P TE		01
CN601	VB390600	Connector Base Post	PH 10P TE		01
CN701	VT890000	SCSI Connector-L	NHS050-022-BS2	SCSI	05
CN702	VK270300	Connector Header	HIF3FC40PA-2.54DSA		05
CN703	VR365200	Pin Header	A3E 50P TE		05
D301	VT332900	Diode	1SS355 TE-17		01
D401	VT332900	Diode	1SS355 TE-17		01
D402	VT332900	Diode	1SS355 TE-17		01
D601	V5616000	Diode	HVC362		01
D602	V5616000	Diode	HVC362		01
D701	VS597600	Diode	RB160L-40 TE25		01
EM101	FZ006970	LC Filter	LS MT Y223NB		02
EM102	FZ006970	LC Filter	LS MT Y223NB		02
EM401	FZ006970	LC Filter	LS MT Y223NB		02
IC101	XJ553A00	IC	NJM2068MD-T1	OP AMP	02
-108	XJ553A00	IC	NJM2068MD-T1	OP AMP	02
IC109	XJ607A00	IC	NJM7805FA	REGULATOR +5V	02
IC110	XJ607A00	IC	NJM7805FA	REGULATOR +5V	02
IC111	XE436A00	IC	NJM79M05FA	REGULATOR -5V 0.5A	03
IC201	XJ553A00	IC	NJM2068MD-T1	OP AMP	02
-208	XJ553A00	IC	NJM2068MD-T1	OP AMP	02
IC209	XF291A00	IC	UPC4570G2	OP AMP	03
IC301	XY624A00	IC	AK4528VF	ADC/DAC	08
IC302	XJ553A00	IC	NJM2068MD-T1	OP AMP	02
IC303	XJ553A00	IC	NJM2068MD-T1	OP AMP	02
IC304	XY624A00	IC	AK4528VF	ADC/DAC	08
IC305	XJ553A00	IC	NJM2068MD-T1	OP AMP	02
IC306	XJ553A00	IC	NJM2068MD-T1	OP AMP	02
IC307	XY624A00	IC	AK4528VF	ADC/DAC	08
IC308	XJ553A00	IC	NJM2068MD-T1	OP AMP	02
IC309	XJ553A00	IC	NJM2068MD-T1	OP AMP	02
IC310	XY624A00	IC	AK4528VF	ADC/DAC	08
IC311	XJ553A00	IC	NJM2068MD-T1	OP AMP	02
IC312	XJ553A00	IC	NJM2068MD-T1	OP AMP	02
IC313	XQ138A00	IC	NJM4556AMT1	OP AMP	03
-315	XQ138A00	IC	NJM4556AMT1	OP AMP	03
IC401	XT744A00	IC	TC74VHCT245AFT	BUFFER	07
IC402	XT744A00	IC	TC74VHCT245AFT	BUFFER	07
IC404	XV988A00	IC	YSS910-S	DSP6	10
IC406	XY454A00	IC	NT56V1616A0T-7	SDRAM 16M	08
IC407	XV932A00	IC	MSM5118160D-60JSR1	DRAM 16M	12
IC407	XV932B00	IC	MSM5118160F-60J		
IC407	X0086A00	IC	K4F151611D-JL6000		08
IC408	XG948E00	IC	YM3436DK	DIR2	11
IC409	XM530A00	IC	YM3437C-F	DIT2	07
IC409	XW060A00	IC	YM3437C-FE2		07
IC410	XV932A00	IC	MSM5118160D-60JSR1	DRAM 16M	12
IC410	XV932B00	IC	MSM5118160F-60J		
IC410	X0086A00	IC	K4F151611D-JL6000		08
* IC412	XZ693A00	IC	YSS919-H	DSP7	
IC413	XT619A00	IC	SN75179BPSR	LINE DRIVER	05
IC414	XZ003A00	IC	PQ025EZ5MZP	REGULATOR +2.5V	03
IC416	XS516A00	IC	UPC2933T-E1	REGULATOR +3.3V	03
IC417	XS516A00	IC	UPC2933T-E1	REGULATOR +3.3V	03
IC420	XV190A00	IC	NJM2904M	OP AMP	01
IC421	XL091A00	IC	HD74HC02FPPEL	NOR	01
IC421	XW791A00	IC	SN74HC02NSR		01
IC422	XN567A00	IC	TC7WU04F	INV	01
IC423	XV892A00	IC	TC74VHC74FT	D-FF	01
IC501	XW647A00	IC	HD6437042AF65F	MASK CPU	10
IC501	X0592A00	IC	HD6437042AG12F		
IC502	XQ595A00	IC	S1D13305F00B100	LCDC	08
IC503	XR115A00	IC	UPD43256BGU-70L	SRAM 256K	08
IC503	XR384B00	IC	CXK58257CM70SR		05
IC503	XV411A00	IC	W24258S-70LE-EL10		07
IC503	XW433A00	IC	CY62256LL-70SNCT		05

*: New Parts

RANK: Japan only

REF NO.	PART NO.	DESCRIPTION		REMARKS	QTY	RANK
IC503	XZ388A00	IC	W24257S-70LL-EL10			05
IC504	X0613A00	IC	MBM29F160BE-70TN	FLASH ROM 16M		
IC505	XV932A00	IC	MSM5118160D-60JSR1	DRAM 16M		12
IC505	XV932B00	IC	MSM5118160F-60J			
IC505	X0086A00	IC	K4F151611D-JL6000			08
IC506	XU797A00	IC	TC74VHC245FT	BUFFER		03
* IC507	XZ744A00	IC	TC74VHCT541AFT	BUFFER		
* IC507	X0301A00	IC	74VHCT541AMTCX			
* IC508	XZ744A00	IC	TC74VHCT541AFT	BUFFER		
* IC508	X0301A00	IC	74VHCT541AMTCX			
IC509	XU797A00	IC	TC74VHC245FT	BUFFER		03
-512	XU797A00	IC	TC74VHC245FT	BUFFER		03
* IC513	XZ744A00	IC	TC74VHCT541AFT	BUFFER		
* IC513	X0301A00	IC	74VHCT541AMTCX			
IC514	XM182A00	IC	TC7S04F	INVERTER		01
* IC515	X0195A00	IC	TC74VHC04FT	INVERTER		
* IC515	X0292A00	IC	74VHC04MTCX			
IC601	XV944A00	IC	TC74HC4053AFT	MULTIPLEXER		03
IC602	XL334A00	IC	MC26LS30D	LINE DRIVER		08
IC603	XU815A00	IC	DS26C32ATMX	LINE RECEIVER		06
IC604	XV833A00	IC	MBCG46183-129	GATE ARRAY		06
IC605	XJ598A00	IC	NJM78L05UA	REGULATOR +5V		02
IC606	XY630A00	IC	LR38792	GATE ARRAY (MAIN)		07
IC607	XS720A00	IC	TC74HC245AF	BUFFER		03
IC607	XW107A00	IC	MM74HC245ASJX			03
IC608	XV618A00	IC	DS12887	REAL TIME CLOCK		08
IC609	XN567A00	IC	TC7WU04F	INVERTER		01
IC610	XN567A00	IC	TC7WU04F	INVERTER		01
IC701	XW677A00	IC	HY57V651620BTC-10P	SDRAM 64M		15
IC701	XZ406A00	IC	HY57V651620BTC-10S			16
IC702	XW677A00	IC	HY57V651620BTC-10P	SDRAM 64M		15
IC702	XZ406A00	IC	HY57V651620BTC-10S			16
IC702	XZ600A00	IC	NT56V6620C0T-75			15
IC703	XW647A00	IC	HD6437042AF65F	MASK CPU		10
IC703	X0592A00	IC	HD6437042AG12F			
IC704	XP226A00	IC	IC-PST591DMT	SYSTEM RESET		03
IC705	XY629A00	IC	CI-DRC	GATE ARRAY (RECORDER)		10
IC706	X0612A00	IC	MBM29F800BA-70PFTN	FLASH ROM 8M		
IC707	XZ495A00	IC	TC74VHC138FT	DECODER		01
IC708	XV932A00	IC	MSM5118160D-60JSR1	DRAM 16M		12
IC708	XV932B00	IC	MSM5118160F-60J			
IC708	X0086A00	IC	K4F151611D-JL6000			08
IC709	XU797A00	IC	TC74VHC245FT	BUFFER		03
IC710	XU797A00	IC	TC74VHC245FT	BUFFER		03
IC711	XV733A00	IC	CY7C136-55NC	DPRAM		10
IC712	XS720A00	IC	TC74HC245AF	BUFFER		03
IC712	XW107A00	IC	MM74HC245ASJX			03
* IC713	X0199A00	IC	TC74VHC157FT	DATA SELECTOR		
* -715	X0199A00	IC	TC74VHC157FT			
* IC713	X0293A00	IC	74VHC157MTCX			
* -715	X0293A00	IC	74VHC157MTCX			
IC716	XT744A00	IC	TC74VHCT245AFT	BUFFER		07
IC717	XT744A00	IC	TC74VHCT245AFT	BUFFER		07
IC718	XU797A00	IC	TC74VHC245FT	BUFFER		03
IC719	XY625A00	IC	S1R72104F00A100	SCSI CONTROL		08
IC720	XV617A00	IC	BH9595FP-Y	SCSI TERMINATOR		05
IC721	XV891A00	IC	TC74VHC08FT	AND		01
* IC722	X0197A00	IC	TC74VHC11FT	AND		
IC723	XN567A00	IC	TC7WU04F	INVERTER		01
* IC724	X0197A00	IC	TC74VHC11FT	AND		
IC725	XV892A00	IC	TC74VHC74FT	D-FF		01
IC726	XY945A00	IC	TC74VHC32FT	OR		01
IC727	XI297A00	IC	TC74HCT04AF-T1	INVERTER		01
IC728	XV892A00	IC	TC74VHC74FT	D-FF		01
IC729	XV892A00	IC	TC74VHC74FT	D-FF		01
JK101	VS133800	XLR Connector	NC3FAH1-0	MIC/LINE INPUT 1 BAL		04
JK102	V5866600	Phone Jack	YKB21-5312	MIC/LINE INPUT 1 BAL		03
JK103	VS133800	XLR Connector	NC3FAH1-0	MIC/LINE INPUT 2 BAL		04
JK104	V5866600	Phone Jack	YKB21-5312	MIC/LINE INPUT 2 BAL		03
JK105	VT799400	Microphone Jack	YKB21-5245	MIC/LINE INPUT 3 BAL		02
JK106	VT799400	Microphone Jack	YKB21-5245	MIC/LINE INPUT 4 BAL		02

*: New Parts

RANK: Japan only

REF NO.	PART NO.	DESCRIPTION		REMARKS	QTY	RANK
JK201	VT799400	Microphone Jack	YKB21-5245	MIC/LINE INPUT 5-8 BAL		02
-204	VT799400	Microphone Jack	YKB21-5245			02
JK205	V5866700	Phone Jack	YKB21-5313	MIC/LINE INPUT 8 HI-Z		03
JK301	VY961000	Phone Jack	YKB21-5257 BLACK	PHONES		02
JK401	V5715300	Pin Jack	2P YKC21-4226	DIGITAL STEREO OUT/IN		02
JK601	VN997100	DIN Connector	8P TCS7927	TO HOST		04
K101	VP944700	Heat Sink	UOT-10C25-SPL			02
K102	VP944700	Heat Sink	UOT-10C25-SPL			02
K103	V5630300	Shield, XLR				01
K104	V5630300	Shield, XLR				01
L101	VS740100	Chip Inductance	BLM21B751S 2125			03
-112	VS740100	Chip Inductance	BLM21B751S 2125			03
L201	VS740100	Chip Inductance	BLM21B751S 2125			03
-209	VS740100	Chip Inductance	BLM21B751S 2125			03
L301	VS740100	Chip Inductance	BLM21B751S 2125			03
L302	VS740100	Chip Inductance	BLM21B751S 2125			03
L402	V3232700	Chip Inductance	BLM31P121SGPT			01
* L403	V7930100	Pulse Transformer	TB06A015			
* L404	V7930100	Pulse Transformer	TB06A015			
L405	VV493200	Noise Filter	ZJYS51R5-2PT			04
L406	VV493200	Noise Filter	ZJYS51R5-2PT			04
L502	VS740100	Chip Inductance	BLM21B751S 2125			03
L503	VS740100	Chip Inductance	BLM21B751S 2125			03
L601	VQ724900	Chip Inductance	BK2125HM601-T			01
-605	VQ724900	Chip Inductance	BK2125HM601-T			01
L606	V3232700	Chip Inductance	BLM31P121SGPT			01
-608	V3232700	Chip Inductance	BLM31P121SGPT			01
* L609	V6894200	Chip Inductance	ELJFAR27KF2			
* L610	V6894200	Chip Inductance	ELJFAR27KF2			
L611	VS740100	Chip Inductance	BLM21B751S 2125			03
L612	VS740100	Chip Inductance	BLM21B751S 2125			03
* L613	V6894100	Chip Inductance	ELJFAR22KF2			
* L614	V6894100	Chip Inductance	ELJFAR22KF2			
LD101	VQ559600	LED	GL3HD44	PEAK indicator 1-4		01
-104	VQ559600	LED	GL3HD44			01
LD201	VQ559600	LED	GL3HD44	PEAK indicator 5-8		01
-204	VQ559600	LED	GL3HD44			01
LD501	VU125200	LED	SLR-332VRTB7			01
LD701	VU125200	LED	SLR-332VRTB7			01
LD702	VU125200	LED	SLR-332VRTB7			01
R1	V1193700	Metal Film Resistor (chip)	330.0 1/10 D			01
R2	V1196100	Metal Film Resistor (chip)	3.3K 1/10 D			01
R3	V1195700	Metal Film Resistor (chip)	2.2K 1/10 D			01
R4	V1195700	Metal Film Resistor (chip)	2.2K 1/10 D			01
R5	V1196600	Metal Film Resistor (chip)	4.7K 1/10 D			01
R6	V1198300	Metal Film Resistor (chip)	24.0K 1/10 D			01
R7	V1196600	Metal Film Resistor (chip)	4.7K 1/10 D			01
R8	V1193700	Metal Film Resistor (chip)	330.0 1/10 D			01
R9	V1196100	Metal Film Resistor (chip)	3.3K 1/10 D			01
R10	RD258100	Carbon Resistor (chip)	100.0K 0.1 J			01
R11	V1190900	Metal Film Resistor (chip)	22.0 1/10 D			01
R12	RD255100	Carbon Resistor (chip)	100.0 0.1 J			01
R13	RD254100	Carbon Resistor (chip)	10.0 0.1 J			01
R14	V1195700	Metal Film Resistor (chip)	2.2K 1/10 D			01
R15	V1199000	Metal Film Resistor (chip)	47.0K 1/10 D			01
R16	V1196600	Metal Film Resistor (chip)	4.7K 1/10 D			01
R17	V1198500	Metal Film Resistor (chip)	30.0K 1/10 D			01
R18	V1195000	Metal Film Resistor (chip)	1.1K 1/10 D			01
R19	V1196600	Metal Film Resistor (chip)	4.7K 1/10 D			01
R20	V1199000	Metal Film Resistor (chip)	47.0K 1/10 D			01
R21	RD255100	Carbon Resistor (chip)	100.0 0.1 J			01
R22	RD254100	Carbon Resistor (chip)	10.0 0.1 J			01
R23	V1195700	Metal Film Resistor (chip)	2.2K 1/10 D			01
R24	V1196600	Metal Film Resistor (chip)	4.7K 1/10 D			01
R25	V1198500	Metal Film Resistor (chip)	30.0K 1/10 D			01
R26	RD258100	Carbon Resistor (chip)	100.0K 0.1 J			01
R27	V1197200	Metal Film Resistor (chip)	8.2K 1/10 D			01
R28	V1197200	Metal Film Resistor (chip)	8.2K 1/10 D			01
R29	RD258100	Carbon Resistor (chip)	100.0K 0.1 J			01
R30	RD258100	Carbon Resistor (chip)	100.0K 0.1 J			01

*: New Parts

RANK: Japan only

REF NO.	PART NO.	DESCRIPTION		REMARKS	QTY	RANK
R31	RD256470	Carbon Resistor (chip)	4.7K 0.1 J			01
R32	VI197000	Metal Film Resistor (chip)	6.8K 1/10 D			01
R33	VI197000	Metal Film Resistor (chip)	6.8K 1/10 D			01
R34	RD255330	Carbon Resistor (chip)	330.0 0.1 J			01
R35	RD256820	Carbon Resistor (chip)	8.2K 0.1 J			01
R36	HV755390	Flame Proof C. Resistor	390.0 1/4 J			01
R37	RD258100	Carbon Resistor (chip)	100.0K 0.1 J			01
R38	RD258100	Carbon Resistor (chip)	100.0K 0.1 J			01
R39	VI197000	Metal Film Resistor (chip)	6.8K 1/10 D			01
R40	VI197000	Metal Film Resistor (chip)	6.8K 1/10 D			01
R41	VI193700	Metal Film Resistor (chip)	330.0 1/10 D			01
R42	VI196100	Metal Film Resistor (chip)	3.3K 1/10 D			01
R43	VI195700	Metal Film Resistor (chip)	2.2K 1/10 D			01
R44	VI195700	Metal Film Resistor (chip)	2.2K 1/10 D			01
R45	VI196600	Metal Film Resistor (chip)	4.7K 1/10 D			01
R46	VI198300	Metal Film Resistor (chip)	24.0K 1/10 D			01
R47	VI196600	Metal Film Resistor (chip)	4.7K 1/10 D			01
R48	VI193700	Metal Film Resistor (chip)	330.0 1/10 D			01
R49	VI196100	Metal Film Resistor (chip)	3.3K 1/10 D			01
R50	RD258100	Carbon Resistor (chip)	100.0K 0.1 J			01
R51	VI190900	Metal Film Resistor (chip)	22.0 1/10 D			01
R52	RD255100	Carbon Resistor (chip)	100.0 0.1 J			01
R53	RD254100	Carbon Resistor (chip)	10.0 0.1 J			01
R54	VI195700	Metal Film Resistor (chip)	2.2K 1/10 D			01
R55	VI199000	Metal Film Resistor (chip)	47.0K 1/10 D			01
R56	VI196600	Metal Film Resistor (chip)	4.7K 1/10 D			01
R57	VI198500	Metal Film Resistor (chip)	30.0K 1/10 D			01
R58	VI195000	Metal Film Resistor (chip)	1.1K 1/10 D			01
R59	VI196600	Metal Film Resistor (chip)	4.7K 1/10 D			01
R60	VI199000	Metal Film Resistor (chip)	47.0K 1/10 D			01
R61	RD255100	Carbon Resistor (chip)	100.0 0.1 J			01
R62	RD254100	Carbon Resistor (chip)	10.0 0.1 J			01
R63	VI195700	Metal Film Resistor (chip)	2.2K 1/10 D			01
R64	VI196600	Metal Film Resistor (chip)	4.7K 1/10 D			01
R65	VI198500	Metal Film Resistor (chip)	30.0K 1/10 D			01
R66	RD258100	Carbon Resistor (chip)	100.0K 0.1 J			01
R67	VI197200	Metal Film Resistor (chip)	8.2K 1/10 D			01
R68	VI197200	Metal Film Resistor (chip)	8.2K 1/10 D			01
R69	RD258100	Carbon Resistor (chip)	100.0K 0.1 J			01
R70	RD258100	Carbon Resistor (chip)	100.0K 0.1 J			01
R71	RD256470	Carbon Resistor (chip)	4.7K 0.1 J			01
R72	RD255330	Carbon Resistor (chip)	330.0 0.1 J			01
R73	RD256820	Carbon Resistor (chip)	8.2K 0.1 J			01
R74	VI193700	Metal Film Resistor (chip)	330.0 1/10 D			01
R75	VI196100	Metal Film Resistor (chip)	3.3K 1/10 D			01
R76	VI195700	Metal Film Resistor (chip)	2.2K 1/10 D			01
R77	VI195700	Metal Film Resistor (chip)	2.2K 1/10 D			01
R78	VI196600	Metal Film Resistor (chip)	4.7K 1/10 D			01
R79	VI198300	Metal Film Resistor (chip)	24.0K 1/10 D			01
R80	VI196600	Metal Film Resistor (chip)	4.7K 1/10 D			01
R81	VI193700	Metal Film Resistor (chip)	330.0 1/10 D			01
R82	VI196100	Metal Film Resistor (chip)	3.3K 1/10 D			01
R83	RD258100	Carbon Resistor (chip)	100.0K 0.1 J			01
R84	VI196600	Metal Film Resistor (chip)	4.7K 1/10 D			01
R85	VI190900	Metal Film Resistor (chip)	22.0 1/10 D			01
R86	RD255100	Carbon Resistor (chip)	100.0 0.1 J			01
R87	RD254100	Carbon Resistor (chip)	10.0 0.1 J			01
R88	VI195700	Metal Film Resistor (chip)	2.2K 1/10 D			01
R89	VI199000	Metal Film Resistor (chip)	47.0K 1/10 D			01
R90	VI198500	Metal Film Resistor (chip)	30.0K 1/10 D			01
R91	VI195000	Metal Film Resistor (chip)	1.1K 1/10 D			01
R92	RD258100	Carbon Resistor (chip)	100.0K 0.1 J			01
R93	VI196600	Metal Film Resistor (chip)	4.7K 1/10 D			01
R94	VI199000	Metal Film Resistor (chip)	47.0K 1/10 D			01
R95	RD258100	Carbon Resistor (chip)	100.0K 0.1 J			01
R96	RD255100	Carbon Resistor (chip)	100.0 0.1 J			01
R97	RD254100	Carbon Resistor (chip)	10.0 0.1 J			01
R98	VI195700	Metal Film Resistor (chip)	2.2K 1/10 D			01
R99	RD258100	Carbon Resistor (chip)	100.0K 0.1 J			01
R100	RD256470	Carbon Resistor (chip)	4.7K 0.1 J			01

*: New Parts

RANK: Japan only

REF NO.	PART NO.	DESCRIPTION		REMARKS	QTY	RANK
R101	V1196600	Metal Film Resistor (chip)	4.7K 1/10 D			01
R102	V1198500	Metal Film Resistor (chip)	30.0K 1/10 D			01
R103	V1197200	Metal Film Resistor (chip)	8.2K 1/10 D			01
R104	V1197200	Metal Film Resistor (chip)	8.2K 1/10 D			01
R105	RD255330	Carbon Resistor (chip)	330.0 0.1 J			01
R106	RD256820	Carbon Resistor (chip)	8.2K 0.1 J			01
R107	V1193700	Metal Film Resistor (chip)	330.0 1/10 D			01
R108	V1196100	Metal Film Resistor (chip)	3.3K 1/10 D			01
R109	V1195700	Metal Film Resistor (chip)	2.2K 1/10 D			01
R110	V1195700	Metal Film Resistor (chip)	2.2K 1/10 D			01
R111	V1196600	Metal Film Resistor (chip)	4.7K 1/10 D			01
R112	V1198300	Metal Film Resistor (chip)	24.0K 1/10 D			01
R113	V1196600	Metal Film Resistor (chip)	4.7K 1/10 D			01
R114	V1193700	Metal Film Resistor (chip)	330.0 1/10 D			01
R115	V1196100	Metal Film Resistor (chip)	3.3K 1/10 D			01
R116	RD258100	Carbon Resistor (chip)	100.0K 0.1 J			01
R117	V1196600	Metal Film Resistor (chip)	4.7K 1/10 D			01
R118	V1190900	Metal Film Resistor (chip)	22.0 1/10 D			01
R119	RD255100	Carbon Resistor (chip)	100.0 0.1 J			01
R120	RD254100	Carbon Resistor (chip)	10.0 0.1 J			01
R121	V1195700	Metal Film Resistor (chip)	2.2K 1/10 D			01
R122	V1199000	Metal Film Resistor (chip)	47.0K 1/10 D			01
R123	V1198500	Metal Film Resistor (chip)	30.0K 1/10 D			01
R124	V1195000	Metal Film Resistor (chip)	1.1K 1/10 D			01
R125	RD258100	Carbon Resistor (chip)	100.0K 0.1 J			01
R126	V1196600	Metal Film Resistor (chip)	4.7K 1/10 D			01
R127	V1199000	Metal Film Resistor (chip)	47.0K 1/10 D			01
R128	RD258100	Carbon Resistor (chip)	100.0K 0.1 J			01
R129	RD255100	Carbon Resistor (chip)	100.0 0.1 J			01
R130	RD254100	Carbon Resistor (chip)	10.0 0.1 J			01
R131	V1195700	Metal Film Resistor (chip)	2.2K 1/10 D			01
R132	RD258100	Carbon Resistor (chip)	100.0K 0.1 J			01
R133	RD256470	Carbon Resistor (chip)	4.7K 0.1 J			01
R134	V1196600	Metal Film Resistor (chip)	4.7K 1/10 D			01
R135	V1198500	Metal Film Resistor (chip)	30.0K 1/10 D			01
R136	V1197200	Metal Film Resistor (chip)	8.2K 1/10 D			01
R137	V1197200	Metal Film Resistor (chip)	8.2K 1/10 D			01
R138	RD255330	Carbon Resistor (chip)	330.0 0.1 J			01
R139	RD256820	Carbon Resistor (chip)	8.2K 0.1 J			01
R140	RD257100	Carbon Resistor (chip)	10.0K 0.1 J			01
R141	VC756300	Metal Oxide Film Resistor	10.0 2W J			01
R142	VC756300	Metal Oxide Film Resistor	10.0 2W J			01
R143	VC757300	Metal Oxide Film Resistor	27.0 2W J			01
R151	V1193700	Metal Film Resistor (chip)	330.0 1/10 D			01
R152	V1196100	Metal Film Resistor (chip)	3.3K 1/10 D			01
R153	V1195700	Metal Film Resistor (chip)	2.2K 1/10 D			01
R154	V1195700	Metal Film Resistor (chip)	2.2K 1/10 D			01
R155	V1196600	Metal Film Resistor (chip)	4.7K 1/10 D			01
R156	V1198300	Metal Film Resistor (chip)	24.0K 1/10 D			01
R157	V1196600	Metal Film Resistor (chip)	4.7K 1/10 D			01
R158	V1193700	Metal Film Resistor (chip)	330.0 1/10 D			01
R159	V1196100	Metal Film Resistor (chip)	3.3K 1/10 D			01
R160	RD258100	Carbon Resistor (chip)	100.0K 0.1 J			01
R161	V1196600	Metal Film Resistor (chip)	4.7K 1/10 D			01
R162	V1190900	Metal Film Resistor (chip)	22.0 1/10 D			01
R163	RD255100	Carbon Resistor (chip)	100.0 0.1 J			01
R164	RD254100	Carbon Resistor (chip)	10.0 0.1 J			01
R165	V1195700	Metal Film Resistor (chip)	2.2K 1/10 D			01
R166	V1199000	Metal Film Resistor (chip)	47.0K 1/10 D			01
R167	V1198500	Metal Film Resistor (chip)	30.0K 1/10 D			01
R168	V1195000	Metal Film Resistor (chip)	1.1K 1/10 D			01
R169	RD258100	Carbon Resistor (chip)	100.0K 0.1 J			01
R170	V1196600	Metal Film Resistor (chip)	4.7K 1/10 D			01
R171	V1199000	Metal Film Resistor (chip)	47.0K 1/10 D			01
R172	RD258100	Carbon Resistor (chip)	100.0K 0.1 J			01
R173	RD255100	Carbon Resistor (chip)	100.0 0.1 J			01
R174	RD254100	Carbon Resistor (chip)	10.0 0.1 J			01
R175	V1195700	Metal Film Resistor (chip)	2.2K 1/10 D			01
R176	RD258100	Carbon Resistor (chip)	100.0K 0.1 J			01
R177	RD256470	Carbon Resistor (chip)	4.7K 0.1 J			01

*: New Parts

RANK: Japan only

REF NO.	PART NO.	DESCRIPTION		REMARKS	QTY	RANK
R178	VI196600	Metal Film Resistor (chip)	4.7K 1/10 D			01
R179	VI198500	Metal Film Resistor (chip)	30.0K 1/10 D			01
R180	VI197200	Metal Film Resistor (chip)	8.2K 1/10 D			01
R181	VI197200	Metal Film Resistor (chip)	8.2K 1/10 D			01
R182	RD255330	Carbon Resistor (chip)	330.0 0.1 J			01
R183	RD256820	Carbon Resistor (chip)	8.2K 0.1 J			01
R184	VI193700	Metal Film Resistor (chip)	330.0 1/10 D			01
R185	VI196100	Metal Film Resistor (chip)	3.3K 1/10 D			01
R186	VI195700	Metal Film Resistor (chip)	2.2K 1/10 D			01
R187	VI195700	Metal Film Resistor (chip)	2.2K 1/10 D			01
R188	VI196600	Metal Film Resistor (chip)	4.7K 1/10 D			01
R189	VI198300	Metal Film Resistor (chip)	24.0K 1/10 D			01
R190	VI196600	Metal Film Resistor (chip)	4.7K 1/10 D			01
R191	VI193700	Metal Film Resistor (chip)	330.0 1/10 D			01
R192	VI196100	Metal Film Resistor (chip)	3.3K 1/10 D			01
R193	RD258100	Carbon Resistor (chip)	100.0K 0.1 J			01
R194	VI196600	Metal Film Resistor (chip)	4.7K 1/10 D			01
R195	VI190900	Metal Film Resistor (chip)	22.0 1/10 D			01
R196	RD255100	Carbon Resistor (chip)	100.0 0.1 J			01
R197	RD254100	Carbon Resistor (chip)	10.0 0.1 J			01
R198	VI195700	Metal Film Resistor (chip)	2.2K 1/10 D			01
R199	VI199000	Metal Film Resistor (chip)	47.0K 1/10 D			01
R200	VI198500	Metal Film Resistor (chip)	30.0K 1/10 D			01
R201	VI195000	Metal Film Resistor (chip)	1.1K 1/10 D			01
R202	RD258100	Carbon Resistor (chip)	100.0K 0.1 J			01
R203	VI196600	Metal Film Resistor (chip)	4.7K 1/10 D			01
R204	VI199000	Metal Film Resistor (chip)	47.0K 1/10 D			01
R205	RD258100	Carbon Resistor (chip)	100.0K 0.1 J			01
R206	RD255100	Carbon Resistor (chip)	100.0 0.1 J			01
R207	RD254100	Carbon Resistor (chip)	10.0 0.1 J			01
R208	VI195700	Metal Film Resistor (chip)	2.2K 1/10 D			01
R209	RD258100	Carbon Resistor (chip)	100.0K 0.1 J			01
R210	RD256470	Carbon Resistor (chip)	4.7K 0.1 J			01
R211	VI196600	Metal Film Resistor (chip)	4.7K 1/10 D			01
R212	VI198500	Metal Film Resistor (chip)	30.0K 1/10 D			01
R213	VI197200	Metal Film Resistor (chip)	8.2K 1/10 D			01
R214	VI197200	Metal Film Resistor (chip)	8.2K 1/10 D			01
R215	RD255330	Carbon Resistor (chip)	330.0 0.1 J			01
R216	RD256820	Carbon Resistor (chip)	8.2K 0.1 J			01
R217	VI193700	Metal Film Resistor (chip)	330.0 1/10 D			01
R218	VI196100	Metal Film Resistor (chip)	3.3K 1/10 D			01
R219	VI195700	Metal Film Resistor (chip)	2.2K 1/10 D			01
R220	VI195700	Metal Film Resistor (chip)	2.2K 1/10 D			01
R221	VI196600	Metal Film Resistor (chip)	4.7K 1/10 D			01
R222	VI198300	Metal Film Resistor (chip)	24.0K 1/10 D			01
R223	VI196600	Metal Film Resistor (chip)	4.7K 1/10 D			01
R224	VI193700	Metal Film Resistor (chip)	330.0 1/10 D			01
R225	VI196100	Metal Film Resistor (chip)	3.3K 1/10 D			01
R226	RD258100	Carbon Resistor (chip)	100.0K 0.1 J			01
R227	VI196600	Metal Film Resistor (chip)	4.7K 1/10 D			01
R228	VI190900	Metal Film Resistor (chip)	22.0 1/10 D			01
R229	RD255100	Carbon Resistor (chip)	100.0 0.1 J			01
R230	RD254100	Carbon Resistor (chip)	10.0 0.1 J			01
R231	VI195700	Metal Film Resistor (chip)	2.2K 1/10 D			01
R232	VI199000	Metal Film Resistor (chip)	47.0K 1/10 D			01
R233	VI198500	Metal Film Resistor (chip)	30.0K 1/10 D			01
R234	VI195000	Metal Film Resistor (chip)	1.1K 1/10 D			01
R235	RD258100	Carbon Resistor (chip)	100.0K 0.1 J			01
R236	VI196600	Metal Film Resistor (chip)	4.7K 1/10 D			01
R237	VI199000	Metal Film Resistor (chip)	47.0K 1/10 D			01
R238	RD258100	Carbon Resistor (chip)	100.0K 0.1 J			01
R239	RD255100	Carbon Resistor (chip)	100.0 0.1 J			01
R240	RD254100	Carbon Resistor (chip)	10.0 0.1 J			01
R241	VI195700	Metal Film Resistor (chip)	2.2K 1/10 D			01
R242	RD258100	Carbon Resistor (chip)	100.0K 0.1 J			01
R243	RD256470	Carbon Resistor (chip)	4.7K 0.1 J			01
R244	VI196600	Metal Film Resistor (chip)	4.7K 1/10 D			01
R245	VI198500	Metal Film Resistor (chip)	30.0K 1/10 D			01
R246	VI197200	Metal Film Resistor (chip)	8.2K 1/10 D			01
R247	VI197200	Metal Film Resistor (chip)	8.2K 1/10 D			01

*: New Parts

RANK: Japan only

REF NO.	PART NO.	DESCRIPTION	REMARKS	QTY	RANK
R248	RD255330	Carbon Resistor (chip)	330.0 0.1 J		01
R249	RD256820	Carbon Resistor (chip)	8.2K 0.1 J		01
R250	V1193700	Metal Film Resistor (chip)	330.0 1/10 D		01
R251	V1196100	Metal Film Resistor (chip)	3.3K 1/10 D		01
R252	V1195700	Metal Film Resistor (chip)	2.2K 1/10 D		01
R253	V1195700	Metal Film Resistor (chip)	2.2K 1/10 D		01
R254	V1196600	Metal Film Resistor (chip)	4.7K 1/10 D		01
R255	V1198300	Metal Film Resistor (chip)	24.0K 1/10 D		01
R256	V1196600	Metal Film Resistor (chip)	4.7K 1/10 D		01
R257	V1193700	Metal Film Resistor (chip)	330.0 1/10 D		01
R258	V1196100	Metal Film Resistor (chip)	3.3K 1/10 D		01
R259	RD258100	Carbon Resistor (chip)	100.0K 0.1 J		01
R260	V1196600	Metal Film Resistor (chip)	4.7K 1/10 D		01
R261	V1190900	Metal Film Resistor (chip)	22.0 1/10 D		01
R262	RD255100	Carbon Resistor (chip)	100.0 0.1 J		01
R263	RD254100	Carbon Resistor (chip)	10.0 0.1 J		01
R264	V1195700	Metal Film Resistor (chip)	2.2K 1/10 D		01
R265	V1199000	Metal Film Resistor (chip)	47.0K 1/10 D		01
R266	V1198500	Metal Film Resistor (chip)	30.0K 1/10 D		01
R267	V1195000	Metal Film Resistor (chip)	1.1K 1/10 D		01
R268	RD258100	Carbon Resistor (chip)	100.0K 0.1 J		01
R269	V1196600	Metal Film Resistor (chip)	4.7K 1/10 D		01
R270	V1199000	Metal Film Resistor (chip)	47.0K 1/10 D		01
R271	RD258100	Carbon Resistor (chip)	100.0K 0.1 J		01
R272	RD255100	Carbon Resistor (chip)	100.0 0.1 J		01
R273	RD254100	Carbon Resistor (chip)	10.0 0.1 J		01
R274	V1195700	Metal Film Resistor (chip)	2.2K 1/10 D		01
R275	RD258100	Carbon Resistor (chip)	100.0K 0.1 J		01
R276	RD256470	Carbon Resistor (chip)	4.7K 0.1 J		01
R277	V1196600	Metal Film Resistor (chip)	4.7K 1/10 D		01
R278	V1198500	Metal Film Resistor (chip)	30.0K 1/10 D		01
R279	V1197200	Metal Film Resistor (chip)	8.2K 1/10 D		01
R280	V1197200	Metal Film Resistor (chip)	8.2K 1/10 D		01
R281	RD255330	Carbon Resistor (chip)	330.0 0.1 J		01
R282	RD256100	Carbon Resistor (chip)	1.0K 0.1 J		01
R283	RD256820	Carbon Resistor (chip)	8.2K 0.1 J		01
R284	RD259100	Carbon Resistor (chip)	1.0M 0.1 J		01
R285	RD259100	Carbon Resistor (chip)	1.0M 0.1 J		01
R301	RD253470	Carbon Resistor (chip)	4.7 0.1 J		01
R302	V1193100	Metal Film Resistor (chip)	180.0 1/10 D		01
R303	V1196600	Metal Film Resistor (chip)	4.7K 1/10 D		01
R304	RD257100	Carbon Resistor (chip)	10.0K 0.1 J		01
R305	V1196600	Metal Film Resistor (chip)	4.7K 1/10 D		01
R306	RD257220	Carbon Resistor (chip)	22.0K 0.1 J		01
R307	RD258100	Carbon Resistor (chip)	100.0K 0.1 J		01
R308	V1193100	Metal Film Resistor (chip)	180.0 1/10 D		01
R309	V1196600	Metal Film Resistor (chip)	4.7K 1/10 D		01
R310	V1196600	Metal Film Resistor (chip)	4.7K 1/10 D		01
R311	RD256820	Carbon Resistor (chip)	8.2K 0.1 J		01
R312	V1193100	Metal Film Resistor (chip)	180.0 1/10 D		01
R313	V1196600	Metal Film Resistor (chip)	4.7K 1/10 D		01
R314	RD257100	Carbon Resistor (chip)	10.0K 0.1 J		01
R315	V1196600	Metal Film Resistor (chip)	4.7K 1/10 D		01
R316	RD250000	Carbon Resistor (chip)	0.0 0.0 J		01
R317	RD257220	Carbon Resistor (chip)	22.0K 0.1 J		01
R318	RD258100	Carbon Resistor (chip)	100.0K 0.1 J		01
R319	V1193100	Metal Film Resistor (chip)	180.0 1/10 D		01
R320	V1196600	Metal Film Resistor (chip)	4.7K 1/10 D		01
R321	V1196600	Metal Film Resistor (chip)	4.7K 1/10 D		01
R322	RD256820	Carbon Resistor (chip)	8.2K 0.1 J		01
R323	RD253470	Carbon Resistor (chip)	4.7 0.1 J		01
R324	V1193100	Metal Film Resistor (chip)	180.0 1/10 D		01
R325	V1196600	Metal Film Resistor (chip)	4.7K 1/10 D		01
R326	RD257100	Carbon Resistor (chip)	10.0K 0.1 J		01
R327	V1196600	Metal Film Resistor (chip)	4.7K 1/10 D		01
R328	RD257220	Carbon Resistor (chip)	22.0K 0.1 J		01
R329	RD258100	Carbon Resistor (chip)	100.0K 0.1 J		01
R330	V1193100	Metal Film Resistor (chip)	180.0 1/10 D		01
R331	RD256820	Carbon Resistor (chip)	8.2K 0.1 J		01
R332	V1196600	Metal Film Resistor (chip)	4.7K 1/10 D		01

*: New Parts

RANK: Japan only

REF NO.	PART NO.	DESCRIPTION		REMARKS	QTY	RANK
R333	VI196600	Metal Film Resistor (chip)	4.7K 1/10 D			01
R334	VI193100	Metal Film Resistor (chip)	180.0 1/10 D			01
R335	VI196600	Metal Film Resistor (chip)	4.7K 1/10 D			01
R336	RD257100	Carbon Resistor (chip)	10.0K 0.1 J			01
R337	VI196600	Metal Film Resistor (chip)	4.7K 1/10 D			01
R338	RD250000	Carbon Resistor (chip)	0.0 0.0 J			01
R339	RD257220	Carbon Resistor (chip)	22.0K 0.1 J			01
R340	RD258100	Carbon Resistor (chip)	100.0K 0.1 J			01
R341	VI193100	Metal Film Resistor (chip)	180.0 1/10 D			01
R342	RD256820	Carbon Resistor (chip)	8.2K 0.1 J			01
R343	VI196600	Metal Film Resistor (chip)	4.7K 1/10 D			01
R344	VI196600	Metal Film Resistor (chip)	4.7K 1/10 D			01
R345	RD253470	Carbon Resistor (chip)	4.7 0.1 J			01
R346	VI193100	Metal Film Resistor (chip)	180.0 1/10 D			01
R347	VI196600	Metal Film Resistor (chip)	4.7K 1/10 D			01
R348	RD257100	Carbon Resistor (chip)	10.0K 0.1 J			01
R349	VI196600	Metal Film Resistor (chip)	4.7K 1/10 D			01
R350	RD257100	Carbon Resistor (chip)	10.0K 0.1 J			01
R351	RD258100	Carbon Resistor (chip)	100.0K 0.1 J			01
R352	VI193100	Metal Film Resistor (chip)	180.0 1/10 D			01
R353	RD257180	Carbon Resistor (chip)	18.0K 0.1 J			01
R354	VI196600	Metal Film Resistor (chip)	4.7K 1/10 D			01
R355	VI196600	Metal Film Resistor (chip)	4.7K 1/10 D			01
R356	VI193100	Metal Film Resistor (chip)	180.0 1/10 D			01
R357	VI196600	Metal Film Resistor (chip)	4.7K 1/10 D			01
R358	RD257100	Carbon Resistor (chip)	10.0K 0.1 J			01
R359	VI196600	Metal Film Resistor (chip)	4.7K 1/10 D			01
R360	RD250000	Carbon Resistor (chip)	0.0 0.0 J			01
R361	RD257100	Carbon Resistor (chip)	10.0K 0.1 J			01
R362	RD258100	Carbon Resistor (chip)	100.0K 0.1 J			01
R363	VI193100	Metal Film Resistor (chip)	180.0 1/10 D			01
R364	RD257180	Carbon Resistor (chip)	18.0K 0.1 J			01
R365	VI196600	Metal Film Resistor (chip)	4.7K 1/10 D			01
R366	VI196600	Metal Film Resistor (chip)	4.7K 1/10 D			01
R367	RD253470	Carbon Resistor (chip)	4.7 0.1 J			01
R368	VI193100	Metal Film Resistor (chip)	180.0 1/10 D			01
R369	VI196600	Metal Film Resistor (chip)	4.7K 1/10 D			01
R370	RD255100	Carbon Resistor (chip)	100.0 0.1 J			01
R371	VI196600	Metal Film Resistor (chip)	4.7K 1/10 D			01
R372	RD258100	Carbon Resistor (chip)	100.0K 0.1 J			01
R373	RD257390	Carbon Resistor (chip)	39.0K 0.1 J			01
R374	RD258100	Carbon Resistor (chip)	100.0K 0.1 J			01
R375	RD255100	Carbon Resistor (chip)	100.0 0.1 J			01
R376	VI193100	Metal Film Resistor (chip)	180.0 1/10 D			01
R377	RD257180	Carbon Resistor (chip)	18.0K 0.1 J			01
R378	VI196600	Metal Film Resistor (chip)	4.7K 1/10 D			01
R379	VI196600	Metal Film Resistor (chip)	4.7K 1/10 D			01
R380	VI193100	Metal Film Resistor (chip)	180.0 1/10 D			01
R381	VI196600	Metal Film Resistor (chip)	4.7K 1/10 D			01
R382	RD255100	Carbon Resistor (chip)	100.0 0.1 J			01
R383	VI196600	Metal Film Resistor (chip)	4.7K 1/10 D			01
R384	RD250000	Carbon Resistor (chip)	0.0 0.0 J			01
R385	RD258100	Carbon Resistor (chip)	100.0K 0.1 J			01
R386	RD257390	Carbon Resistor (chip)	39.0K 0.1 J			01
R387	RD258100	Carbon Resistor (chip)	100.0K 0.1 J			01
R388	RD255100	Carbon Resistor (chip)	100.0 0.1 J			01
R389	VI193100	Metal Film Resistor (chip)	180.0 1/10 D			01
R390	RD257180	Carbon Resistor (chip)	18.0K 0.1 J			01
R391	VI196600	Metal Film Resistor (chip)	4.7K 1/10 D			01
R392	VI196600	Metal Film Resistor (chip)	4.7K 1/10 D			01
R393	VI197900	Metal Film Resistor (chip)	16.0K 1/10 D			01
R394	RD254750	Carbon Resistor (chip)	75.0 0.1 J			01
R395	VI197400	Metal Film Resistor (chip)	10.0K 1/10 D			01
R396	VI197500	Metal Film Resistor (chip)	11.0K 1/10 D			01
R397	RD258100	Carbon Resistor (chip)	100.0K 0.1 J			01
R398	VI198000	Metal Film Resistor (chip)	18.0K 1/10 D			01
R399	VI197400	Metal Film Resistor (chip)	10.0K 1/10 D			01
R400	RD258100	Carbon Resistor (chip)	100.0K 0.1 J			01
R401	VI197900	Metal Film Resistor (chip)	16.0K 1/10 D			01
R402	VI197400	Metal Film Resistor (chip)	10.0K 1/10 D			01

*: New Parts

RANK: Japan only

REF NO.	PART NO.	DESCRIPTION		REMARKS	QTY	RANK
R403	RD254750	Carbon Resistor (chip)	75.0 0.1 J			01
R404	V1198000	Metal Film Resistor (chip)	18.0K 1/10 D			01
R405	V1197900	Metal Film Resistor (chip)	16.0K 1/10 D			01
R406	RD254750	Carbon Resistor (chip)	75.0 0.1 J			01
R407	V1197400	Metal Film Resistor (chip)	10.0K 1/10 D			01
R408	V1197500	Metal Film Resistor (chip)	11.0K 1/10 D			01
R409	RD258100	Carbon Resistor (chip)	100.0K 0.1 J			01
R410	V1198000	Metal Film Resistor (chip)	18.0K 1/10 D			01
R411	V1197400	Metal Film Resistor (chip)	10.0K 1/10 D			01
R412	RD258100	Carbon Resistor (chip)	100.0K 0.1 J			01
R413	V1197900	Metal Film Resistor (chip)	16.0K 1/10 D			01
R414	V1197400	Metal Film Resistor (chip)	10.0K 1/10 D			01
R415	RD254750	Carbon Resistor (chip)	75.0 0.1 J			01
R416	V1198000	Metal Film Resistor (chip)	18.0K 1/10 D			01
R417	VC745200	Metal Oxide Film Resistor	120.0 1W J			
R419	RD258270	Carbon Resistor (chip)	270.0K 0.1 J			01
R421	RD257330	Carbon Resistor (chip)	33.0K 0.1 J			01
R422	RD257100	Carbon Resistor (chip)	10.0K 0.1 J			01
R425	RD257120	Carbon Resistor (chip)	12.0K 0.1 J			01
R426	RD258100	Carbon Resistor (chip)	100.0K 0.1 J			01
R427	RD258100	Carbon Resistor (chip)	100.0K 0.1 J			01
R428	RD257100	Carbon Resistor (chip)	10.0K 0.1 J			01
R429	RD257100	Carbon Resistor (chip)	10.0K 0.1 J			01
R430	RD256100	Carbon Resistor (chip)	1.0K 0.1 J			01
R431	VC745200	Metal Oxide Film Resistor	120.0 1W J			
R434	RD257100	Carbon Resistor (chip)	10.0K 0.1 J			01
R437	RD257120	Carbon Resistor (chip)	12.0K 0.1 J			01
R438	RD258100	Carbon Resistor (chip)	100.0K 0.1 J			01
R439	RD257100	Carbon Resistor (chip)	10.0K 0.1 J			01
R440	RD256100	Carbon Resistor (chip)	1.0K 0.1 J			01
R442	RD250000	Carbon Resistor (chip)	0.0 0.0 J			01
-450	RD250000	Carbon Resistor (chip)	0.0 0.0 J			01
R458	RD256330	Carbon Resistor (chip)	3.3K 0.1 J			01
R459	RD255100	Carbon Resistor (chip)	100.0 0.1 J			01
R460	RD256100	Carbon Resistor (chip)	1.0K 0.1 J			01
R461	RD256220	Carbon Resistor (chip)	2.2K 0.1 J			01
R462	RD257100	Carbon Resistor (chip)	10.0K 0.1 J			01
R463	RD257470	Carbon Resistor (chip)	47.0K 0.1 J			01
R464	RD257100	Carbon Resistor (chip)	10.0K 0.1 J			01
R465	RD257100	Carbon Resistor (chip)	10.0K 0.1 J			01
R466	RD257470	Carbon Resistor (chip)	47.0K 0.1 J			01
R467	RD250000	Carbon Resistor (chip)	0.0 0.0 J			01
R469	RD258100	Carbon Resistor (chip)	100.0K 0.1 J			01
R470	RD256470	Carbon Resistor (chip)	4.7K 0.1 J			01
R471	RD256220	Carbon Resistor (chip)	2.2K 0.1 J			01
R472	RD256220	Carbon Resistor (chip)	2.2K 0.1 J			01
R473	RD257100	Carbon Resistor (chip)	10.0K 0.1 J			01
R474	RD255220	Carbon Resistor (chip)	220.0 0.1 J			01
R475	RD254430	Carbon Resistor (chip)	43.0 0.1 J			01
R476	RD254390	Carbon Resistor (chip)	39.0 0.1 J			01
R477	RD254750	Carbon Resistor (chip)	75.0 0.1 J			01
R479	RD257100	Carbon Resistor (chip)	10.0K 0.1 J			01
R481	RD250000	Carbon Resistor (chip)	0.0 0.0 J			01
R501	RD255470	Carbon Resistor (chip)	470.0 0.1 J			01
R502	RD256330	Carbon Resistor (chip)	3.3K 0.1 J			01
R503	RD255220	Carbon Resistor (chip)	220.0 0.1 J			01
R504	RD254330	Carbon Resistor (chip)	33.0 0.1 J			01
R505	RD255220	Carbon Resistor (chip)	220.0 0.1 J			01
R506	RD250000	Carbon Resistor (chip)	0.0 0.0 J			01
R507	RD254470	Carbon Resistor (chip)	47.0 0.1 J			01
-509	RD254470	Carbon Resistor (chip)	47.0 0.1 J			01
R510	RD250000	Carbon Resistor (chip)	0.0 0.0 J			01
R601	RD250000	Carbon Resistor (chip)	0.0 0.0 J			01
-603	RD250000	Carbon Resistor (chip)	0.0 0.0 J			01
R604	RD254100	Carbon Resistor (chip)	10.0 0.1 J			01
R606	RD254100	Carbon Resistor (chip)	10.0 0.1 J			01
R607	RD255470	Carbon Resistor (chip)	470.0 0.1 J			01
R608	RD255470	Carbon Resistor (chip)	470.0 0.1 J			01
R609	RD255100	Carbon Resistor (chip)	100.0 0.1 J			01
R610	RD257220	Carbon Resistor (chip)	22.0K 0.1 J			01

*: New Parts

RANK: Japan only

REF NO.	PART NO.	DESCRIPTION		REMARKS	QTY	RANK
R611	RD259100	Carbon Resistor (chip)	1.0M 0.1 J			01
R612	RD256100	Carbon Resistor (chip)	1.0K 0.1 J			01
R613	RD257100	Carbon Resistor (chip)	10.0K 0.1 J			01
R616	RD250000	Carbon Resistor (chip)	0.0 0.0 J			01
R617	RD257100	Carbon Resistor (chip)	10.0K 0.1 J			01
R618	RD257680	Carbon Resistor (chip)	68.0K 0.1 J			01
R619	RD258100	Carbon Resistor (chip)	100.0K 0.1 J			01
R620	RD257150	Carbon Resistor (chip)	15.0K 0.1 J			01
R621	RD257150	Carbon Resistor (chip)	15.0K 0.1 J			01
R622	RD257390	Carbon Resistor (chip)	39.0K 0.1 J			01
R623	RD255560	Carbon Resistor (chip)	560.0 0.1 J			01
R624	RD259100	Carbon Resistor (chip)	1.0M 0.1 J			01
R625	RD257100	Carbon Resistor (chip)	10.0K 0.1 J			01
R626	RD250000	Carbon Resistor (chip)	0.0 0.0 J			01
R627	RD257680	Carbon Resistor (chip)	68.0K 0.1 J			01
R628	RD258100	Carbon Resistor (chip)	100.0K 0.1 J			01
R629	RD257150	Carbon Resistor (chip)	15.0K 0.1 J			01
R630	RD257150	Carbon Resistor (chip)	15.0K 0.1 J			01
R631	RD254100	Carbon Resistor (chip)	10.0 0.1 J			01
R632	RD254100	Carbon Resistor (chip)	10.0 0.1 J			01
R633	RD254470	Carbon Resistor (chip)	47.0 0.1 J			01
R634	RD255100	Carbon Resistor (chip)	100.0 0.1 J			01
R635	RD257390	Carbon Resistor (chip)	39.0K 0.1 J			01
R636	RD255560	Carbon Resistor (chip)	560.0 0.1 J			01
R637	RD259100	Carbon Resistor (chip)	1.0M 0.1 J			01
R701	RD255470	Carbon Resistor (chip)	470.0 0.1 J			01
R702	RD256330	Carbon Resistor (chip)	3.3K 0.1 J			01
R703	RD255680	Carbon Resistor (chip)	680.0 0.1 J			01
R704	RD255220	Carbon Resistor (chip)	220.0 0.1 J			01
R705	RD257100	Carbon Resistor (chip)	10.0K 0.1 J			01
-707	RD257100	Carbon Resistor (chip)	10.0K 0.1 J			01
R708	RD254220	Carbon Resistor (chip)	22.0 0.1 J			01
R709	RD254220	Carbon Resistor (chip)	22.0 0.1 J			01
R710	RD254330	Carbon Resistor (chip)	33.0 0.1 J			01
-725	RD254330	Carbon Resistor (chip)	33.0 0.1 J			01
R726	RD256680	Carbon Resistor (chip)	6.8K 0.1 J			01
R727	RD259100	Carbon Resistor (chip)	1.0M 0.1 J			01
R728	RD255470	Carbon Resistor (chip)	470.0 0.1 J			01
R729	RD256560	Carbon Resistor (chip)	5.6K 0.1 J			01
R730	RD256560	Carbon Resistor (chip)	5.6K 0.1 J			01
R731	RD250000	Carbon Resistor (chip)	0.0 0.0 J			01
R732	RD250000	Carbon Resistor (chip)	0.0 0.0 J			01
R733	RD257100	Carbon Resistor (chip)	10.0K 0.1 J			01
R734	RD254330	Carbon Resistor (chip)	33.0 0.1 J			01
-736	RD254330	Carbon Resistor (chip)	33.0 0.1 J			01
R737	RD257100	Carbon Resistor (chip)	10.0K 0.1 J			01
R738	RD254820	Carbon Resistor (chip)	82.0 0.1 J			01
R739	RD254820	Carbon Resistor (chip)	82.0 0.1 J			01
R740	RD254330	Carbon Resistor (chip)	33.0 0.1 J			01
R741	RD254220	Carbon Resistor (chip)	22.0 0.1 J			01
R742	RD254330	Carbon Resistor (chip)	33.0 0.1 J			01
R743	RD250000	Carbon Resistor (chip)	0.0 0.0 J			01
R744	RD250000	Carbon Resistor (chip)	0.0 0.0 J			01
R747	RD250000	Carbon Resistor (chip)	0.0 0.0 J			01
RA501	RE047100	Resistor Array	10Kx4			01
-508	RE047100	Resistor Array	10Kx4			01
RA509	RE046100	Resistor Array	1Kx4			01
RA510	RE046100	Resistor Array	1Kx4			01
RA511	RE047100	Resistor Array	10Kx4			01
RA512	RE046100	Resistor Array	1Kx4			01
RA513	RE046100	Resistor Array	1Kx4			01
RA701	RE047100	Resistor Array	10Kx4			01
-707	RE047100	Resistor Array	10Kx4			01
SW101	VU120200	Slide Switch	SSSU122-S09N0	PHANTOM +48V ON/OFF		01
TR101	IC224030	Transistor	2SC2240 GR,BL			01
TR102	IC224030	Transistor	2SC2240 GR,BL			01
TR103	VR936300	Transistor	2SA2SA1576AT106			01
TR104	VQ986700	Transistor	2SC2SC4081T106			01
TR105	IC224030	Transistor	2SC2240 GR,BL			01
TR106	IC224030	Transistor	2SC2240 GR,BL			01

*: New Parts

RANK: Japan only

REF NO.	PART NO.	DESCRIPTION	REMARKS	QTY	RANK
TR107	VR936300	Transistor	2SA2SA1576AT106		01
TR108	VQ986700	Transistor	2SC2SC4081T106		01
TR109	IC224030	Transistor	2SC2240 GR,BL		01
TR110	IC224030	Transistor	2SC2240 GR,BL		01
TR111	VR936300	Transistor	2SA2SA1576AT106		01
TR112	VQ986700	Transistor	2SC2SC4081T106		01
TR113	IC224030	Transistor	2SC2240 GR,BL		01
TR114	IC224030	Transistor	2SC2240 GR,BL		01
TR115	VR936300	Transistor	2SA2SA1576AT106		01
TR116	VQ986700	Transistor	2SC2SC4081T106		01
TR201	IC224030	Transistor	2SC2240 GR,BL		01
TR202	IC224030	Transistor	2SC2240 GR,BL		01
TR203	VR936300	Transistor	2SA2SA1576AT106		01
TR204	VQ986700	Transistor	2SC2SC4081T106		01
TR205	IC224030	Transistor	2SC2240 GR,BL		01
TR206	IC224030	Transistor	2SC2240 GR,BL		01
TR207	VR936300	Transistor	2SA2SA1576AT106		01
TR208	VQ986700	Transistor	2SC2SC4081T106		01
TR209	IC224030	Transistor	2SC2240 GR,BL		01
TR210	IC224030	Transistor	2SC2240 GR,BL		01
TR211	VR936300	Transistor	2SA2SA1576AT106		01
TR212	VQ986700	Transistor	2SC2SC4081T106		01
TR213	IC224030	Transistor	2SC2240 GR,BL		01
TR214	IC224030	Transistor	2SC2240 GR,BL		01
TR215	VR936300	Transistor	2SA2SA1576AT106		01
TR216	VQ986700	Transistor	2SC2SC4081T106		01
TR301	VR936300	Transistor	2SA2SA1576AT106		01
TR302	V2993500	Transistor	2SD1979 S,T		01
TR303	VV655400	Digital Transistor	DTC114EKA TP		01
TR304	VV655400	Digital Transistor	DTC114EKA TP		01
TR305	V2993500	Transistor	2SD1979 S,T		01
TR501	VV655400	Digital Transistor	DTC114EKA TP		01
TR701	VV655400	Digital Transistor	DTC114EKA TP		01
* VR101	V6953500	Rotary Variable Resistor	T 20.0K	MIC/LINE INPUT 1-4	
* -104	V6953500	Rotary Variable Resistor	T 20.0K		
* VR201	V6953500	Rotary Variable Resistor	T 20.0K	MIC/LINE INPUT 5-8	
* -204	V6953500	Rotary Variable Resistor	T 20.0K		
* VR301	V6953600	Rotary Variable Resistor	A 10.0K x2	PHONES	
* VR302	V6953600	Rotary Variable Resistor	A 10.0K x2	MONITOR OUT	
X401	VZ156100	Quartz Crystal Unit	60MHz DSO751S		06
X402	V5964800	Quartz Crystal Unit	60MHz DSO751SV		05
X501	VR870700	Quartz Crystal Unit	10MHz SMD-49		04
X502	VV762900	Quartz Crystal Unit	7MHz SMD-49		03
X601	VS486900	Quartz Crystal Unit	8MHz SMD-49		03
X602	V4552200	Quartz Crystal Unit	49.152MHz DSO751S		05
X603	V4552100	Quartz Crystal Unit	45.1584MHz DSO751S		05
X701	VV762900	Quartz Crystal Unit	7MHz SMD-49		03
X702	VQ274700	Quartz Crystal Unit	20MHz SMD-49		04
* V7486400		Circuit Board	PN	(XZ716B0)	
--		Jumper Wire	0.55	(VA07890)	
CN101	VR365200	Pin Header	A3E 50P TE		05
* CN102	V7546300	Connector Assembly	SAN&PH 7P 250L		
D101	VB941200	Diode	1SS133,1SS176		01
* -210	VB941200	Diode	1SS133,1SS176		01
EC201	V5613200	Rotary Encoder	RE0121PVB20FINB1-2	RTN1	02
EC202	V5613200	Rotary Encoder	RE0121PVB20FINB1-2	RTN2	02
* LD201	V7593600	LED	SLR-322YCT32	SONG <WORK NAVIGATE>	
* LD202	V7593600	LED	SLR-322YCT32	FILE <WORK NAVIGATE>	
* LD203	V7593600	LED	SLR-322YCT32	CD PLAY <WORK NAVIGATE>	
* LD204	V7593600	LED	SLR-322YCT32	AUX1 <MIXER(FADER MODE)>	
* LD205	V7593600	LED	SLR-322YCT32	AUX2 <MIXER(FADER MODE)>	
* LD206	V7593600	LED	SLR-322YCT32	AUX3 <MIXER(FADER MODE)>	
* LD207	V7593600	LED	SLR-322YCT32	AUX4 <MIXER(FADER MODE)>	
* LD208	V7593600	LED	SLR-322YCT32	AUX5 <MIXER(FADER MODE)>	
* LD209	V7593600	LED	SLR-322YCT32	AUX6 <MIXER(FADER MODE)>	
* LD210	V7593600	LED	SLR-322YCT32	REC.1-8 <MIXING LAYER>	
* LD211	V7593600	LED	SLR-322YCT32	REC.9-16 <MIXING LAYER>	
* LD212	V7593600	LED	SLR-322YCT32	SEL 1/9	
* LD213	V7593600	LED	SLR-322YCT32	SEL 2/10	

*: New Parts

RANK: Japan only

REF NO.	PART NO.	DESCRIPTION	REMARKS	QTY	RANK
* LD214	V7593600	LED	SLR-322YCT32	SEL 3/11	
* LD215	V7593600	LED	SLR-322YCT32	SEL 4/12	
* LD216	V7593600	LED	SLR-322YCT32	ON 1/9	
* LD217	V7593600	LED	SLR-322YCT32	ON 2/10	
* LD218	V7593600	LED	SLR-322YCT32	ON 3/11	
* LD219	V7593600	LED	SLR-322YCT32	ON 4/12	
* LD220	V7593600	LED	SLR-322YCT32	ON 5/13	
* LD221	V7593600	LED	SLR-322YCT32	SEL 5/13	
* LD222	V7593600	LED	SLR-322YCT32	SEL 6/14	
* LD223	V7593600	LED	SLR-322YCT32	SEL 7/15	
* LD224	V7593600	LED	SLR-322YCT32	SEL 8/16	
* LD225	V7593600	LED	SLR-322YCT32	SEL STEREO	
* LD226	V7593600	LED	SLR-322YCT32	SEL RTN1	
* LD227	V7593600	LED	SLR-322YCT32	SEL RTN2	
* LD228	V7593600	LED	SLR-322YCT32	SOLO	
* LD229	V7593600	LED	SLR-322YCT32	ON STEREO	
* LD230	V7593600	LED	SLR-322YCT32	ON 6/14	
* LD231	V7593600	LED	SLR-322YCT32	ON 7/15	
* LD232	V7593600	LED	SLR-322YCT32	ON 8/16	
* LD233	V7593600	LED	SLR-322YCT32	ON RTN1	
* LD234	V7593600	LED	SLR-322YCT32	ON RTN2	
* LD235	V7593600	LED	SLR-322YCT32	TRACK CUE	
* LD236	V6923100	LED	SLR-322VCT32	REC1 <REC TRACK SELECT>	
* LD237	V6923100	LED	SLR-322VCT32	REC2 <REC TRACK SELECT>	
* LD238	V6923100	LED	SLR-322VCT32	REC3 <REC TRACK SELECT>	
* LD239	V6923100	LED	SLR-322VCT32	REC4 <REC TRACK SELECT>	
* LD240	V6923100	LED	SLR-322VCT32	REC5 <REC TRACK SELECT>	
* LD241	V6923100	LED	SLR-322VCT32	REC6 <REC TRACK SELECT>	
* LD242	V6923100	LED	SLR-322VCT32	REC7 <REC TRACK SELECT>	
* LD243	V6923100	LED	SLR-322VCT32	REC8 <REC TRACK SELECT>	
* LD244	V6923100	LED	SLR-322VCT32	REC9 <REC TRACK SELECT>	
* LD245	V6923100	LED	SLR-322VCT32	REC10 <REC TRACK SELECT>	
* LD246	V6923100	LED	SLR-322VCT32	REC11 <REC TRACK SELECT>	
* LD247	V6923100	LED	SLR-322VCT32	REC12 <REC TRACK SELECT>	
* LD248	V6923100	LED	SLR-322VCT32	REC13 <REC TRACK SELECT>	
* LD249	V6923100	LED	SLR-322VCT32	REC14 <REC TRACK SELECT>	
* LD250	V6923100	LED	SLR-322VCT32	REC15 <REC TRACK SELECT>	
* LD251	V6923100	LED	SLR-322VCT32	REC16 <REC TRACK SELECT>	
* LD252	V6923100	LED	SLR-322VCT32	RESET <REC TRACK SELECT>	
* LD253	V7593600	LED	SLR-322YCT32	UNDO	
* LD254	V7593600	LED	SLR-322YCT32	REDO	
* LD255	V6923300	LED	SLR-322MCT32	JOG ON	
* LD256	V6923300	LED	SLR-322MCT32	NUM LOCATE	
* LD257	V6923300	LED	SLR-322MCT32	HOME <MIXER(FADER MODE)>	
* LD258	V6923300	LED	SLR-322MCT32	INPUT 1-8 <MIXING LAYER>	
* LD259	V6923300	LED	SLR-322MCT32	REPEAT	
* LD260	V7593600	LED	SLR-322YCT32	7/MARK SEARCH <	
* LD261	V7593600	LED	SLR-322YCT32	8/MARK SEARCH >	
* LD262	V6923100	LED	SLR-322VCT32	AUTO PUNCH	
* LD263	V7593600	LED	SLR-322YCT32	4/LAST REC IN	
* LD264	V7593600	LED	SLR-322YCT32	5/LAST REC OUT	
* LD265	V7593600	LED	SLR-322YCT32	1/A	
* LD266	V7593600	LED	SLR-322YCT32	2/B	
* LD267	V6923300	LED	SLR-322MCT32	PLAY	
* LD268	V6923100	LED	SLR-322VCT32	REC	
* LD269	V6923300	LED	SLR-322MCT32	REMOTE <MIXER(FD. MODE)>	
LD270	VV023900	LED	SPR-325MWT31		01
* LD271	V6923300	LED	SLR-322MCT32	PLAY	
* LD272	V6923100	LED	SLR-322VCT32	REC	
SW101	VV020300	Push Switch	SKQNAA	SONG <WORK NAVIGATE>	01
SW102	VV020300	Push Switch	SKQNAA	FILE <WORK NAVIGATE>	01
SW103	VV020300	Push Switch	SKQNAA	CD PLAY <WORK NAVIGATE>	01
SW104	VV020300	Push Switch	SKQNAA	QUICK REC <WORK NAVIGATE>	01
SW105	VV020300	Push Switch	SKQNAA	SETUP <UNIT>	01
SW106	VV020300	Push Switch	SKQNAA	UTILITY <UNIT>	01
SW107	VV020300	Push Switch	SKQNAA	MIDI <UNIT>	01
SW108	VV020300	Push Switch	SKQNAA	PATCH <UNIT>	01
SW109	VV020300	Push Switch	SKQNAA	CH VIEW <MIXER>	01
SW110	VV020300	Push Switch	SKQNAA	PAN/ROUTING <MIXER>	01
SW111	VV020300	Push Switch	SKQNAA	EQ/ATT/GRP <MIXER>	01

*: New Parts

RANK: Japan only

REF NO.	PART NO.	DESCRIPTION		REMARKS	QTY	RANK
SW112	VV020300	Push Switch	SKQNAA	DYN/DLY <MIXER>		01
SW113	VV020300	Push Switch	SKQNAA	AUX1 <MIXER(FADER MODE)>		01
SW114	VV020300	Push Switch	SKQNAA	AUX2 <MIXER(FADER MODE)>		01
SW115	VV020300	Push Switch	SKQNAA	AUX3 <MIXER(FADER MODE)>		01
SW116	VV020300	Push Switch	SKQNAA	AUX4 <MIXER(FADER MODE)>		01
SW117	VV020300	Push Switch	SKQNAA	AUX5 <MIXER(FADER MODE)>		01
SW118	VV020300	Push Switch	SKQNAA	AUX6 <MIXER(FADER MODE)>		01
SW119	VV020300	Push Switch	SKQNAA	HOME <MIXER(FADER MODE)>		01
SW120	VV020300	Push Switch	SKQNAA	INPUT 1-8 <MIXING LAYER>		01
SW121	VV020300	Push Switch	SKQNAA	REC.1-8 <MIXING LAYER>		01
SW122	VV020300	Push Switch	SKQNAA	REC.9-16 <MIXING LAYER>		01
SW123	VV020300	Push Switch	SKQNAA	SHIFT		01
SW124	VV020300	Push Switch	SKQNAA	F1		01
SW125	VV020300	Push Switch	SKQNAA	F2		01
SW126	VV020300	Push Switch	SKQNAA	F3		01
SW127	VV020300	Push Switch	SKQNAA	F4		01
SW128	VV020300	Push Switch	SKQNAA	F5		01
SW129	VV020300	Push Switch	SKQNAA	CTRL		01
SW130	VV020300	Push Switch	SKQNAA	SEL 1/9		01
SW131	VV020300	Push Switch	SKQNAA	SEL 2/10		01
SW132	VV020300	Push Switch	SKQNAA	SEL 3/11		01
SW133	VV020300	Push Switch	SKQNAA	SEL 4/12		01
SW134	VV020300	Push Switch	SKQNAA	SEL 5/13		01
SW135	VV020300	Push Switch	SKQNAA	SEL 6/14		01
SW136	VV020300	Push Switch	SKQNAA	SEL 7/15		01
SW137	VV020300	Push Switch	SKQNAA	SEL 8/16		01
SW138	VV020300	Push Switch	SKQNAA	SEL STEREO		01
SW139	VV020300	Push Switch	SKQNAA	SEL RTN1		01
SW140	VV020300	Push Switch	SKQNAA	SEL RTN2		01
SW141	VV020300	Push Switch	SKQNAA	ON 1/9		01
SW142	VV020300	Push Switch	SKQNAA	ON 2/10		01
SW143	VV020300	Push Switch	SKQNAA	ON 3/11		01
SW144	VV020300	Push Switch	SKQNAA	ON 4/12		01
SW145	VV020300	Push Switch	SKQNAA	ON 5/13		01
SW146	VV020300	Push Switch	SKQNAA	ON 6/14		01
SW147	VV020300	Push Switch	SKQNAA	ON 7/15		01
SW148	VV020300	Push Switch	SKQNAA	ON 8/16		01
SW149	VV020300	Push Switch	SKQNAA	ON STEREO		01
SW150	VV020300	Push Switch	SKQNAA	ON RTN1		01
SW151	VV020300	Push Switch	SKQNAA	ON RTN2		01
SW152	VV020300	Push Switch	SKQNAA	SOLO		01
SW153	VV020300	Push Switch	SKQNAA	TRACK CUE		01
SW154	VV020300	Push Switch	SKQNAA	METER		01
SW155	VV020300	Push Switch	SKQNAA	REC1 <REC TRACK SELECT>		01
SW156	VV020300	Push Switch	SKQNAA	REC2 <REC TRACK SELECT>		01
SW157	VV020300	Push Switch	SKQNAA	REC3 <REC TRACK SELECT>		01
SW158	VV020300	Push Switch	SKQNAA	REC4 <REC TRACK SELECT>		01
SW159	VV020300	Push Switch	SKQNAA	REC5 <REC TRACK SELECT>		01
SW160	VV020300	Push Switch	SKQNAA	REC6 <REC TRACK SELECT>		01
SW161	VV020300	Push Switch	SKQNAA	REC7 <REC TRACK SELECT>		01
SW162	VV020300	Push Switch	SKQNAA	REC8 <REC TRACK SELECT>		01
SW163	VV020300	Push Switch	SKQNAA	REC9 <REC TRACK SELECT>		01
SW164	VV020300	Push Switch	SKQNAA	REC10 <REC TRACK SELECT>		01
SW165	VV020300	Push Switch	SKQNAA	REC11 <REC TRACK SELECT>		01
SW166	VV020300	Push Switch	SKQNAA	REC12 <REC TRACK SELECT>		01
SW167	VV020300	Push Switch	SKQNAA	REC13 <REC TRACK SELECT>		01
SW168	VV020300	Push Switch	SKQNAA	REC14 <REC TRACK SELECT>		01
SW169	VV020300	Push Switch	SKQNAA	REC15 <REC TRACK SELECT>		01
SW170	VV020300	Push Switch	SKQNAA	REC16 <REC TRACK SELECT>		01
SW171	VV020300	Push Switch	SKQNAA	RESET <REC TRACK SELECT>		01
SW172	VV020300	Push Switch	SKQNAA	TRACK <RECORDER>		01
SW173	VV020300	Push Switch	SKQNAA	EDIT <RECORDER>		01
SW174	VV020300	Push Switch	SKQNAA	AUTO MIX <AUTOMATION>		01
SW175	VV020300	Push Switch	SKQNAA	SCENE <AUTOMATION>		01
SW176	VV020300	Push Switch	SKQNAA	STORE <SCENE MEMORY>		01
SW177	VV020300	Push Switch	SKQNAA	- <SCENE MEMORY>		01
SW178	VV020300	Push Switch	SKQNAA	+ <SCENE MEMORY>		01
SW179	VV020300	Push Switch	SKQNAA	RECALL <SCENE MEMORY>		01
SW180	VV020300	Push Switch	SKQNAA	UNDO		01
SW181	VV020300	Push Switch	SKQNAA	REDO		01

*: New Parts

RANK: Japan only

REF NO.	PART NO.	DESCRIPTION		REMARKS	QTY	RANK
SW182	VV020300	Push Switch	SKQNAA	JOG ON		01
SW183	VV020300	Push Switch	SKQNAA	Up <CURSOR>		01
SW184	VV020300	Push Switch	SKQNAA	Down <CURSOR>		01
SW185	VV020300	Push Switch	SKQNAA	Left <CURSOR>		01
SW186	VV020300	Push Switch	SKQNAA	Right <CURSOR>		01
SW187	VV020300	Push Switch	SKQNAA	ENTER		01
SW188	VV020300	Push Switch	SKQNAA	NUM LOCATE		01
SW189	VV020300	Push Switch	SKQNAA	7/MARK SEARCH <		01
SW190	VV020300	Push Switch	SKQNAA	8/MARK SEARCH >		01
SW191	VV020300	Push Switch	SKQNAA	9/MARK		01
SW192	VV020300	Push Switch	SKQNAA	AUTO PUNCH		01
SW193	VV020300	Push Switch	SKQNAA	4/LAST REC IN		01
SW194	VV020300	Push Switch	SKQNAA	5/LAST REC OUT		01
SW195	VV020300	Push Switch	SKQNAA	6/SET		01
SW196	VV020300	Push Switch	SKQNAA	REPEAT		01
SW197	VV020300	Push Switch	SKQNAA	1/A		01
SW198	VV020300	Push Switch	SKQNAA	2/B		01
SW199	VV020300	Push Switch	SKQNAA	3/ROLL BACK		01
SW200	VV020300	Push Switch	SKQNAA	-+/<<		01
SW201	VV020300	Push Switch	SKQNAA	0/RTZ		01
SW202	VV020300	Push Switch	SKQNAA	./>>		01
SW203	VV020300	Push Switch	SKQNAA	CANCEL		01
SW204	VV020300	Push Switch	SKQNAA	REW		01
SW205	VV020300	Push Switch	SKQNAA	FF		01
SW206	VV020300	Push Switch	SKQNAA	STOP		01
SW207	VV020300	Push Switch	SKQNAA	PLAY		01
SW208	VV020300	Push Switch	SKQNAA	REC		01
SW209	VV020300	Push Switch	SKQNAA	REMOTE <MIXER(FD. MODE)>		01
SW210	VV020300	Push Switch	SKQNAA	ALL SAFE <REC TRACK SEL.>		01
SW251	V2346500	Jog Shuttle	RJS-Y0003	DATA/JOG/SHUTTLE		05
*	AAX25110	Circuit Board	SUB-CPU	(V748650)(XZ717B0)		
*	AAX25120	Circuit Board	SUB-FADER	(V748650)(XZ717B0)		
*	AAX25130	Circuit Board	SUB-INV	(V748650)(XZ717B0)		
*	AAX25140	Circuit Board	SUB-MY	(V748650)(XZ717B0)		
*	EP630210	Bind Head Tapping Screw-S	3.0X6 MFZN2BL		18	01
*	V6764200	Support, Fader	C36		2	
C101	UB245100	Monolithic Ceramic Cap.	F 0.100 25V Z			01
-103	UB245100	Monolithic Ceramic Cap.	F 0.100 25V Z			01
C104	UF138220	Electrolytic Cap. (chip)	220 16V UUR1C2			01
C105	UF046470	Electrolytic Cap. (chip)	4.7 25V			01
C106	UB245100	Monolithic Ceramic Cap.	F 0.100 25V Z			01
C107	UF138220	Electrolytic Cap. (chip)	220 16V UUR1C2			01
C108	UF046470	Electrolytic Cap. (chip)	4.7 25V			01
C109	UB245100	Monolithic Ceramic Cap.	F 0.100 25V Z			01
C110	UF138220	Electrolytic Cap. (chip)	220 16V UUR1C2			01
C111	UF046470	Electrolytic Cap. (chip)	4.7 25V			01
C112	UB245100	Monolithic Ceramic Cap.	F 0.100 25V Z			01
C113	UB245100	Monolithic Ceramic Cap.	F 0.100 25V Z			01
C114	UF138220	Electrolytic Cap. (chip)	220 16V UUR1C2			01
C115	UF046470	Electrolytic Cap. (chip)	4.7 25V			01
C116	UB245100	Monolithic Ceramic Cap.	F 0.100 25V Z			01
-124	UB245100	Monolithic Ceramic Cap.	F 0.100 25V Z			01
C125	UF138220	Electrolytic Cap. (chip)	220 16V UUR1C2			01
C126	UF046470	Electrolytic Cap. (chip)	4.7 25V			01
C127	UB245100	Monolithic Ceramic Cap.	F 0.100 25V Z			01
C128	UB245100	Monolithic Ceramic Cap.	F 0.100 25V Z			01
C129	UF138220	Electrolytic Cap. (chip)	220 16V UUR1C2			01
C130	UF046470	Electrolytic Cap. (chip)	4.7 25V			01
C131	UB245100	Monolithic Ceramic Cap.	F 0.100 25V Z			01
C132	UF138220	Electrolytic Cap. (chip)	220 16V UUR1C2			01
C133	UF046470	Electrolytic Cap. (chip)	4.7 25V			01
C134	UB245100	Monolithic Ceramic Cap.	F 0.100 25V Z			01
C135	UF138220	Electrolytic Cap. (chip)	220 16V UUR1C2			01
C136	UF046470	Electrolytic Cap. (chip)	4.7 25V			01
C137	UF138220	Electrolytic Cap. (chip)	220 16V UUR1C2			01
C138	UB245100	Monolithic Ceramic Cap.	F 0.100 25V Z			01
C139	UF138220	Electrolytic Cap. (chip)	220 16V UUR1C2			01
C140	UF046470	Electrolytic Cap. (chip)	4.7 25V			01
C201	UB245100	Monolithic Ceramic Cap.	F 0.100 25V Z			01

*: New Parts

RANK: Japan only

REF NO.	PART NO.	DESCRIPTION	REMARKS	QTY	RANK
-206	UB245100	Monolithic Ceramic Cap.	F 0.100 25V Z		01
C301	UF038100	Electrolytic Cap. (chip)	100 16V		01
C302	UF038100	Electrolytic Cap. (chip)	100 16V		01
C303	UB245100	Monolithic Ceramic Cap.	F 0.100 25V Z		01
C305	UB245100	Monolithic Ceramic Cap.	F 0.100 25V Z		01
-310	UB245100	Monolithic Ceramic Cap.	F 0.100 25V Z		01
C311	UB051220	Monolithic Ceramic Cap.	SL 22P 50V J		01
C312	UB051220	Monolithic Ceramic Cap.	SL 22P 50V J		01
C313	UB012470	Monolithic Ceramic Cap.	B 470P 50V K		01
C314	UB245100	Monolithic Ceramic Cap.	F 0.100 25V Z		01
-321	UB245100	Monolithic Ceramic Cap.	F 0.100 25V Z		01
C323	UB044100	Monolithic Ceramic Cap.	F 0.010 50V Z		01
-328	UB044100	Monolithic Ceramic Cap.	F 0.010 50V Z		01
C501	UF157470	Electrolytic Cap. (chip)	47 35V UUR1V4		01
C502	VS147400	Ceramic Capacitor-SL	18P 3KV J		01
C503	UF157470	Electrolytic Cap. (chip)	47 35V UUR1V4		01
C504	UB012560	Monolithic Ceramic Cap.	B 560P 50V K		01
C505	VP318400	Capacitor	0.068 250 ECQE26		01
C506	UF038100	Electrolytic Cap. (chip)	100 16V		01
C507	UF038100	Electrolytic Cap. (chip)	100 16V		01
C508	UB245100	Monolithic Ceramic Cap.	F 0.100 25V Z		01
CN101	VB858300	Connector Base Post	PH 4P SE		01
CN102	VV107200	Connector, FPC	52207-1890		02
CN103	VV107200	Connector, FPC	52207-1890		02
CN104	VY914900	Connector Assembly	7P 180L B&C 2mm		03
* CN201	VY922600	Connector Assembly	12P 120L B&C 2mm		
CN301	VB858600	Connector Base Post	PH 7P SE		01
CN302	VB858600	Connector Base Post	PH 7P SE		01
* CN303	VY919300	Connector Assembly	10P 100L B&C 2mm		
CN305	VR365200	Pin Header	A3E 50P TE		05
CN306	VQ993000	Connector	P=1.0 52271-1890		03
CN307	VQ993000	Connector	P=1.0 52271-1890		03
CN401	VU328200	Plug	PHEC 100P TE	OPTION I/O SLOT	05
CN402	VQ048400	Connector, FFC	52045 35P TE		01
CN403	VQ048400	Connector, FFC	52045 35P TE		01
CN501	VQ047300	Connector, FFC	52045 12P TE		02
CN502	LB919040	Base Post Connector	XH 4P SE		01
* CN503	V7545700	Connector Assembly	1P 380L B&C 2mm		
D201	VT332900	Diode	1SS355 TE-17		01
D501	VS597600	Diode	RB160L-40 TE25		01
EM101	FZ006970	LC Filter	LS MT Y223NB		02
EM102	FZ006970	LC Filter	LS MT Y223NB		02
EM301	FZ006970	LC Filter	LS MT Y223NB		02
IC101	XH610A00	IC	HD74LS06FPEL	INVERTER	02
IC102	XH610A00	IC	HD74LS06FPEL	INVERTER	02
IC103	XF557A00	IC	TA7291S	MOTOR DRIVER	03
-106	XF557A00	IC	TA7291S	MOTOR DRIVER	03
IC107	XS790A00	IC	TC74HC4052AF	MULTIPLEXER	02
IC107	XY876A00	IC	MM74HC4052SJX		
IC108	XF557A00	IC	TA7291S	MOTOR DRIVER	03
-112	XF557A00	IC	TA7291S	MOTOR DRIVER	03
IC201	VR903700	Photo Coupler	HCPL-M600		04
IC202	XL094A00	IC	HD74HC14FPEL	INVERTER	02
IC202	XW104A00	IC	MM74HC14SJX		01
* IC301	X0592A00	IC	HD6437042AG12F	CPU MASK	
IC302	XY631A00	IC	LR38791	GATE ARRAY	07
* IC501	X0200A00	IC	NJM2360AM	DC-DC CONVERTER	
JK201	VT799400	Microphone Jack	YKB21-5245	MONITOR OUT L	02
JK202	VT799400	Microphone Jack	YKB21-5245	MONITOR OUT R	02
JK203	VY695400	Phone Jack	YKB21-5244 BLACK	OMNI OUT 1-4	02
-206	VY695400	Phone Jack	YKB21-5244 BLACK		02
JK207	V5715200	Pin Jack	2P YKC21-4206	STEREO OUT L/R	02
JK208	V1466400	DIN Connector	DINx3 YKF51-5046	MIDI IN/OUT/THRU/MTC OUT	04
JK209	VY695400	Phone Jack	YKB21-5244 BLACK	FOOT SW	02
JK210	BB071360	Screw Terminal	M3 8.3X13 M1698		01
L201	VS740100	Chip Inductance	BLM21B751S 2125		03
-210	VS740100	Chip Inductance	BLM21B751S 2125		03
L211	VB835000	Coil	20uH FL5R200QNT		01
-217	VB835000	Coil	20uH FL5R200QNT		01
L501	VS587900	Coil	220uH LHL 08TB221K		01

*: New Parts

RANK: Japan only

REF NO.	PART NO.	DESCRIPTION	REMARKS	QTY	RANK
* L502	V6965800		150uH LHL 08TB151K		
LD501	VQ559100	LED	GL3EG44		01
R101	HV753220	Flame Proof C. Resistor	2.2 1/4 J		01
R102	RD255100	Carbon Resistor (chip)	100.0 0.1 J		01
R103	VI196000	Metal Film Resistor (chip)	3.0K 1/10 D		01
R104	RD255390	Carbon Resistor (chip)	390.0 0.1 J		
R105	HV753220	Flame Proof C. Resistor	2.2 1/4 J		01
R106	RD255100	Carbon Resistor (chip)	100.0 0.1 J		01
R107	VI196000	Metal Film Resistor (chip)	3.0K 1/10 D		01
R108	RD255390	Carbon Resistor (chip)	390.0 0.1 J		
R109	HV753220	Flame Proof C. Resistor	2.2 1/4 J		01
R110	RD255100	Carbon Resistor (chip)	100.0 0.1 J		01
R111	VI196000	Metal Film Resistor (chip)	3.0K 1/10 D		01
R112	RD255390	Carbon Resistor (chip)	390.0 0.1 J		
R113	HV753220	Flame Proof C. Resistor	2.2 1/4 J		01
R114	RD255100	Carbon Resistor (chip)	100.0 0.1 J		01
R115	VI196000	Metal Film Resistor (chip)	3.0K 1/10 D		01
R116	RD255390	Carbon Resistor (chip)	390.0 0.1 J		
R117	HV753220	Flame Proof C. Resistor	2.2 1/4 J		01
R118	RD255100	Carbon Resistor (chip)	100.0 0.1 J		01
R119	VI196000	Metal Film Resistor (chip)	3.0K 1/10 D		01
R120	RD255390	Carbon Resistor (chip)	390.0 0.1 J		
R121	HV753220	Flame Proof C. Resistor	2.2 1/4 J		01
R122	RD255100	Carbon Resistor (chip)	100.0 0.1 J		01
R123	VI196000	Metal Film Resistor (chip)	3.0K 1/10 D		01
R124	RD255390	Carbon Resistor (chip)	390.0 0.1 J		
R125	HV753220	Flame Proof C. Resistor	2.2 1/4 J		01
R126	RD255100	Carbon Resistor (chip)	100.0 0.1 J		01
R127	VI196000	Metal Film Resistor (chip)	3.0K 1/10 D		01
R128	RD255390	Carbon Resistor (chip)	390.0 0.1 J		
R129	HV753220	Flame Proof C. Resistor	2.2 1/4 J		01
R130	RD255100	Carbon Resistor (chip)	100.0 0.1 J		01
R131	VI196000	Metal Film Resistor (chip)	3.0K 1/10 D		01
R132	RD255390	Carbon Resistor (chip)	390.0 0.1 J		
R133	HV753220	Flame Proof C. Resistor	2.2 1/4 J		01
R134	VI196000	Metal Film Resistor (chip)	3.0K 1/10 D		01
R135	RD255390	Carbon Resistor (chip)	390.0 0.1 J		
R136	RD255100	Carbon Resistor (chip)	100.0 0.1 J		01
R201	RD257100	Carbon Resistor (chip)	10.0K 0.1 J		01
-210	RD257100	Carbon Resistor (chip)	10.0K 0.1 J		01
R211	RD256100	Carbon Resistor (chip)	1.0K 0.1 J		01
-216	RD256100	Carbon Resistor (chip)	1.0K 0.1 J		01
R217	RD257100	Carbon Resistor (chip)	10.0K 0.1 J		01
R218	RD257100	Carbon Resistor (chip)	10.0K 0.1 J		01
R219	RD256100	Carbon Resistor (chip)	1.0K 0.1 J		01
R220	RD257100	Carbon Resistor (chip)	10.0K 0.1 J		01
R221	RD255220	Carbon Resistor (chip)	220.0 0.1 J		01
-225	RD255220	Carbon Resistor (chip)	220.0 0.1 J		01
R226	RD256100	Carbon Resistor (chip)	1.0K 0.1 J		01
R227	RD250000	Carbon Resistor (chip)	0.0 0.0 J		01
R301	RD257100	Carbon Resistor (chip)	10.0K 0.1 J		01
R302	RD254150	Carbon Resistor (chip)	15.0 0.1 J		
R303	RD257100	Carbon Resistor (chip)	10.0K 0.1 J		01
-305	RD257100	Carbon Resistor (chip)	10.0K 0.1 J		01
R306	RD256330	Carbon Resistor (chip)	3.3K 0.1 J		01
R307	RD255220	Carbon Resistor (chip)	220.0 0.1 J		01
R308	RD255220	Carbon Resistor (chip)	220.0 0.1 J		01
R309	RD255390	Carbon Resistor (chip)	390.0 0.1 J		
R310	RD254220	Carbon Resistor (chip)	22.0 0.1 J		01
-325	RD254220	Carbon Resistor (chip)	22.0 0.1 J		01
R326	RD257100	Carbon Resistor (chip)	10.0K 0.1 J		01
-330	RD257100	Carbon Resistor (chip)	10.0K 0.1 J		01
R331	RD258100	Carbon Resistor (chip)	100.0K 0.1 J		01
R332	RD258100	Carbon Resistor (chip)	100.0K 0.1 J		01
R333	RD257100	Carbon Resistor (chip)	10.0K 0.1 J		01
R334	RD250000	Carbon Resistor (chip)	0.0 0.0 J		01
R335	RD250000	Carbon Resistor (chip)	0.0 0.0 J		01
R338	RD250000	Carbon Resistor (chip)	0.0 0.0 J		01
R501	RD255820	Carbon Resistor (chip)	820.0 0.1 J		01
R502	RD257470	Carbon Resistor (chip)	47.0K 0.1 J		01

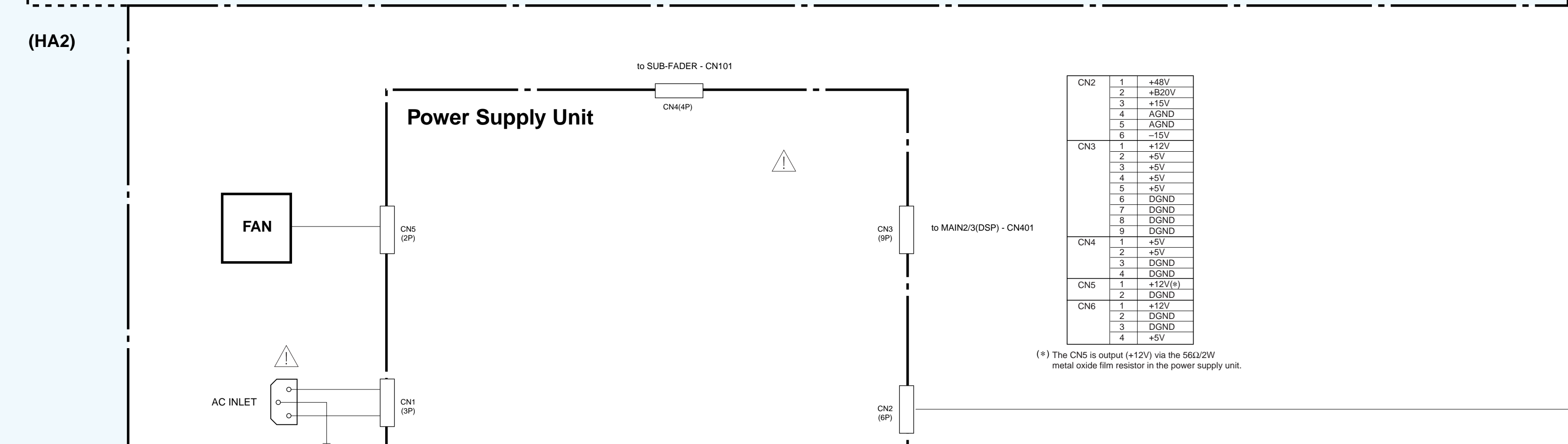
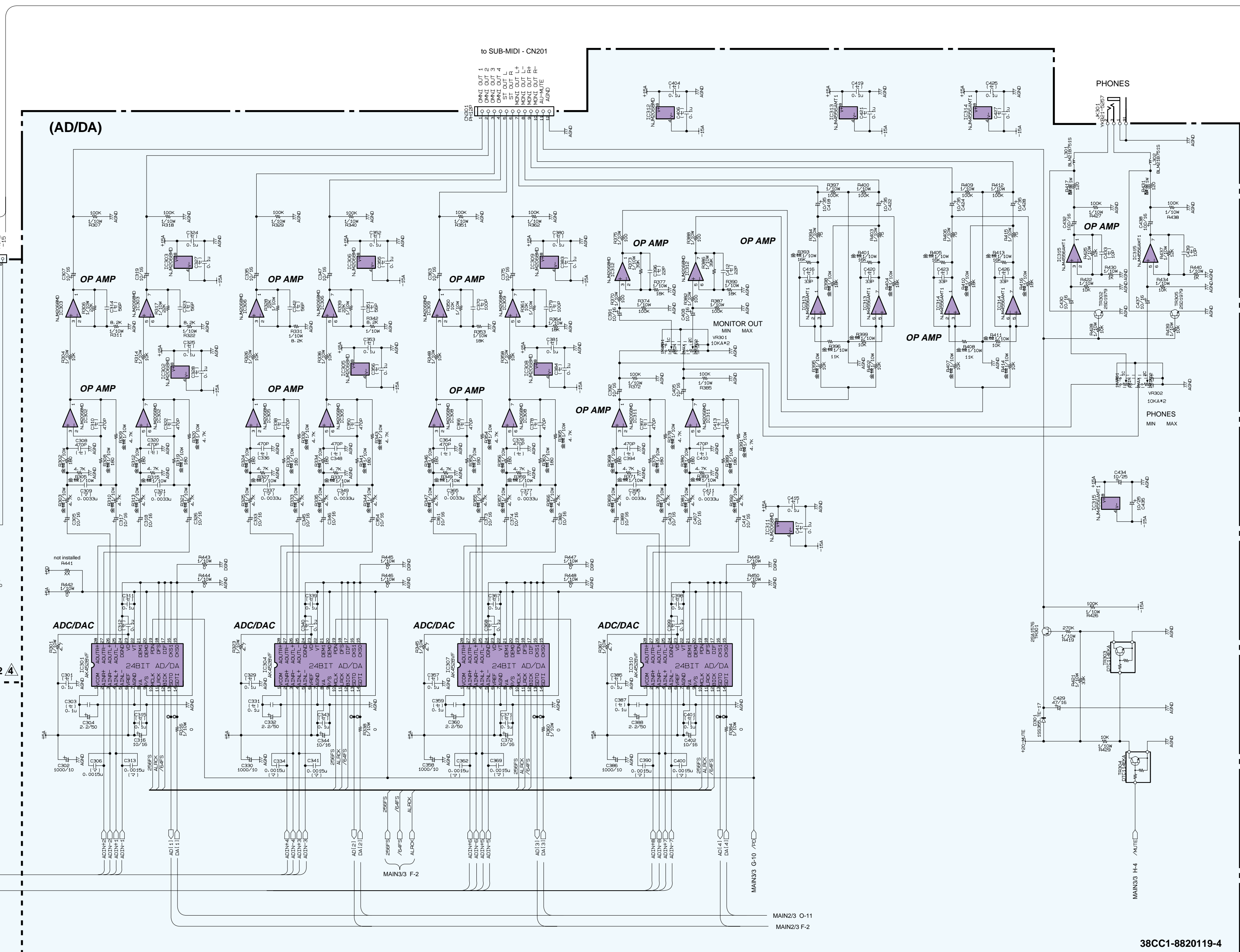
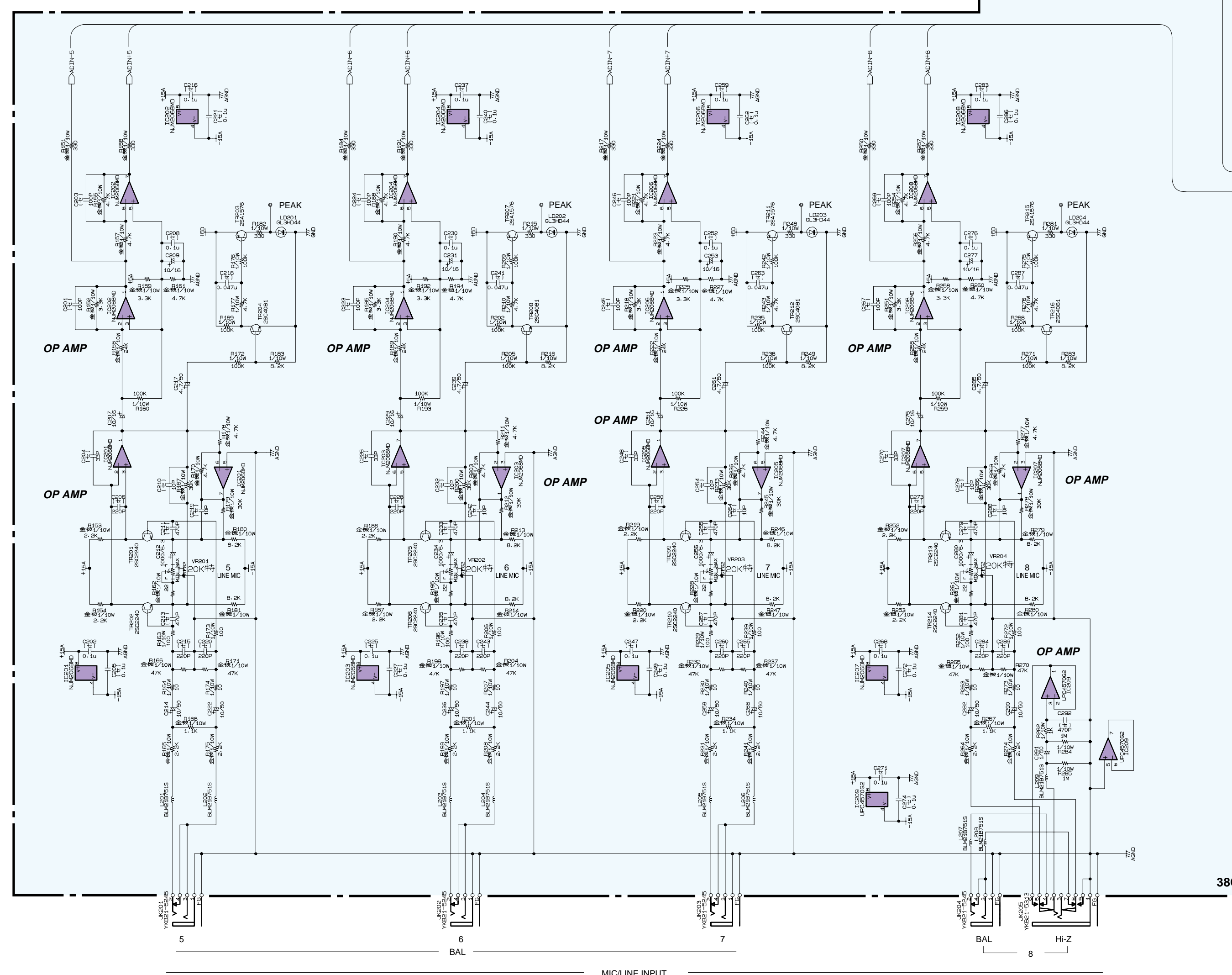
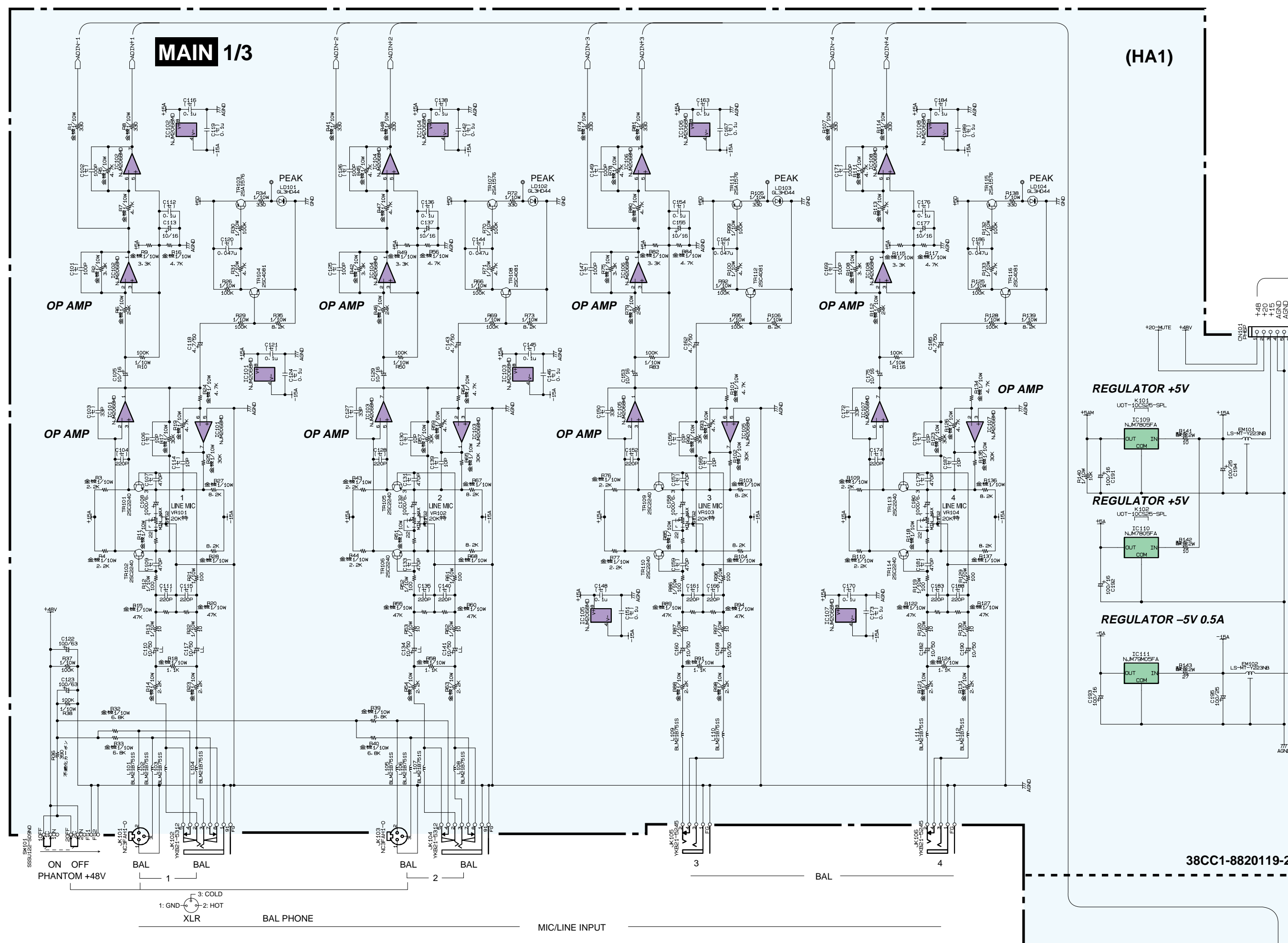
*: New Parts

RANK: Japan only

REF NO.	PART NO.	DESCRIPTION		REMARKS	QTY	RANK
R503	RD257390	Carbon Resistor (chip)	39.0K 0.1 J			01
R504	RD256120	Carbon Resistor (chip)	1.2K 0.1 J			01
R505	RD156560	Carbon Resistor (chip)	5.6K 1/4 J			01
R506	RD156560	Carbon Resistor (chip)	5.6K 1/4 J			01
R507	RD255330	Carbon Resistor (chip)	330.0 0.1 J			01
R508	RD255180	Carbon Resistor (chip)	180.0 0.1 J			01
R509	RD253100	Carbon Resistor (chip)	1.0 0.1 J			01
R510	RD257470	Carbon Resistor (chip)	47.0K 0.1 J			01
RA301	RE047100	Resistor Array	10Kx4			01
-308	RE047100	Resistor Array	10Kx4			01
T501	VS602500	Inverter Transformer	CLF16A			07
TA304	VY703900	Transistor Array	TD62309F(EL)			04
TA305	VY703900	Transistor Array	TD62309F(EL)			04
TA306	VQ248400	Transistor Array	TD62783AF			04
TA307	VQ248400	Transistor Array	TD62783AF			04
TH501	VN824100	Thermistor	ERTD2FHL103S 10K			01
TR201	V2993500	Transistor	2SD1979 S,T			01
-210	V2993500	Transistor	2SD1979 S,T			01
TR501	VQ986700	Transistor	2SC2SC4081T106			01
TR502	VV655400	Digital Transistor	DTC114EKA TP			01
TR503	VS185600	Transistor	2SD1863 TV2 82-390			01
TR504	VS185600	Transistor	2SD1863 TV2 82-390			01
* VR101	V6886900	Slide Pot., Motor Drive	B10K	1-8,STEREO fader		
* -109	V6886900	Slide Pot., Motor Drive	B10K			
VR501	V3820700	Rotary Variable Resistor	B10K RK09K1130A5R	LCD contrast		01
X301	VV762900	Quartz Crystal Unit	7MHz SMD-49			03
	V5605200	LCD	LM320191			23
	V6124200	Fan Motor	DC F412R-12LLB			08
⚠ *	V7546100	Power Supply Unit	XR655A	J,U,C,V		
⚠ *	V7546200	Power Supply Unit	XR655B	H,B,W		
⚠	VL785200	AC-IN Connector	AC-P01CR02	AC INLET		03
⚠	V5805500	AC Cord	DC-487-J12 2.5m	J		05
⚠	V6190600	AC Cord	CSA	U,C,V		07
⚠	V6190700	AC Cord	VDE	H,W		08
⚠	V6190800	AC Cord	BS 3P	B		10

*: New Parts

RANK: Japan only



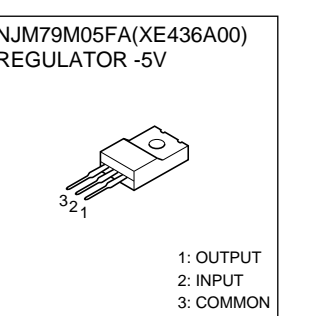
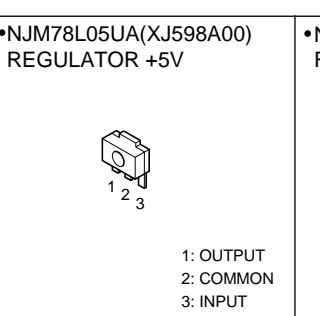
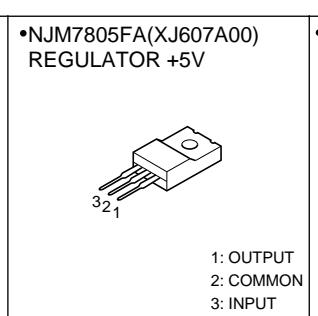
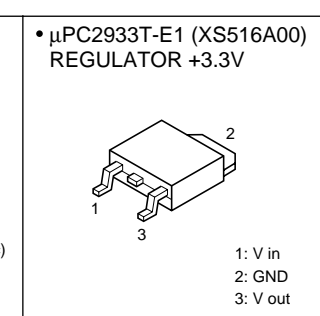
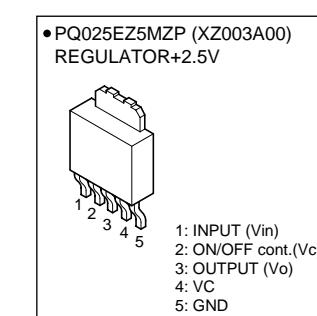
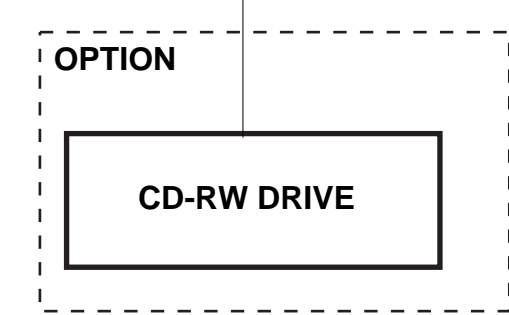
CN2	1	+48V
	2	+B20V
	3	+15V
	4	AGND
CN3	5	+5V
	6	-15V
	7	DGND
	8	DGND
CN4	9	DGND
	2	+5V
	3	+5V
	4	DGND
CN5	5	+5V
	6	+12V(+)
	7	DGND
	8	DGND
CN6	1	+12V
	2	DGND
	3	DGND
	4	+5V

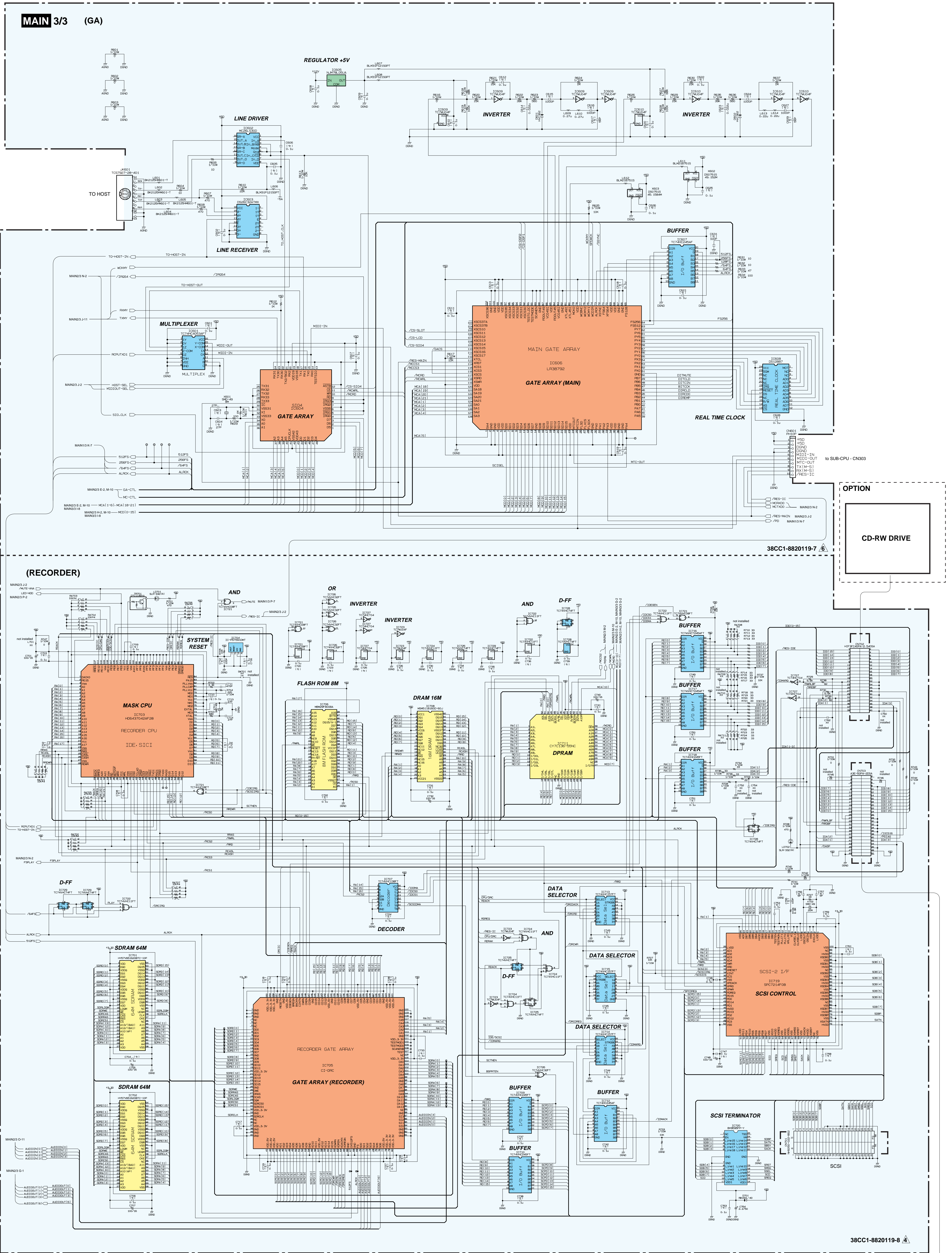
(*) The CN5 is output (+12V) via the 560/2W metal oxide film resistor in the power supply unit.

TO SERVICE PERSONNEL
Critical Components Information
Components having special characteristics are marked Δ and must be replaced with parts having specifications equal to those originally installed.

- 不燃化カーボン: Flame Proof C.Resistor
- (セ): Ceramic Capacitor
- (マ): Mylar Capacitor
- 金線: Metal Film Resistor
- 膜線: Metal Oxide Film Resistor
- 20k特: Rotary Variable Resistor

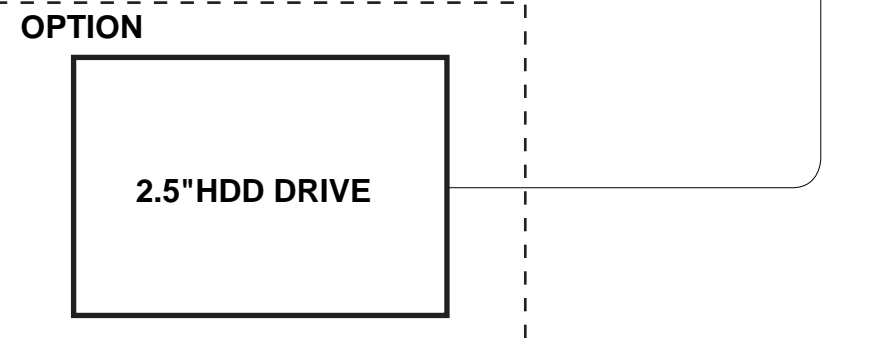
Note: See parts list for details of circuit board component parts





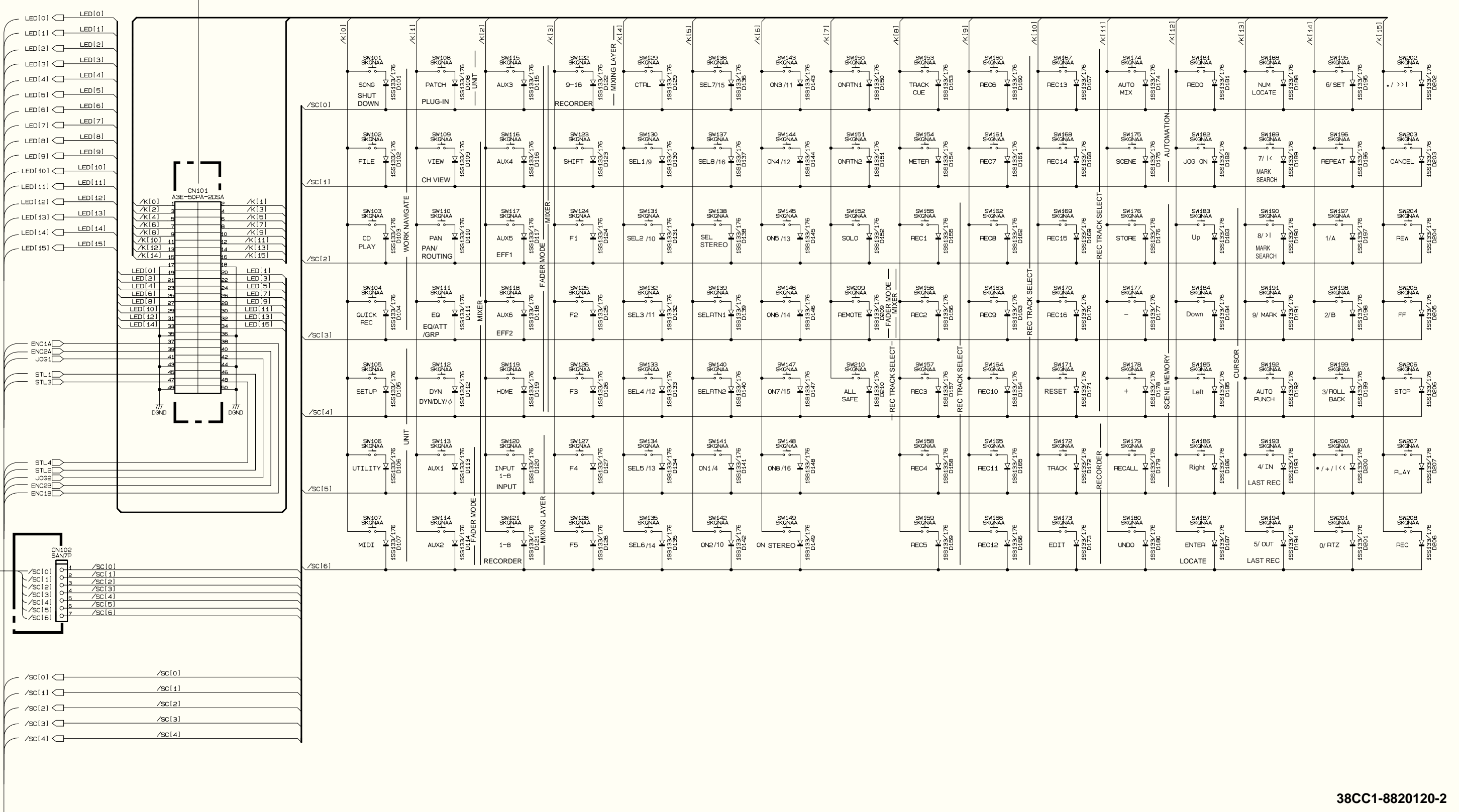
⊕: Ceramic Capacitor

Note: See parts list for details of circuit board component parts



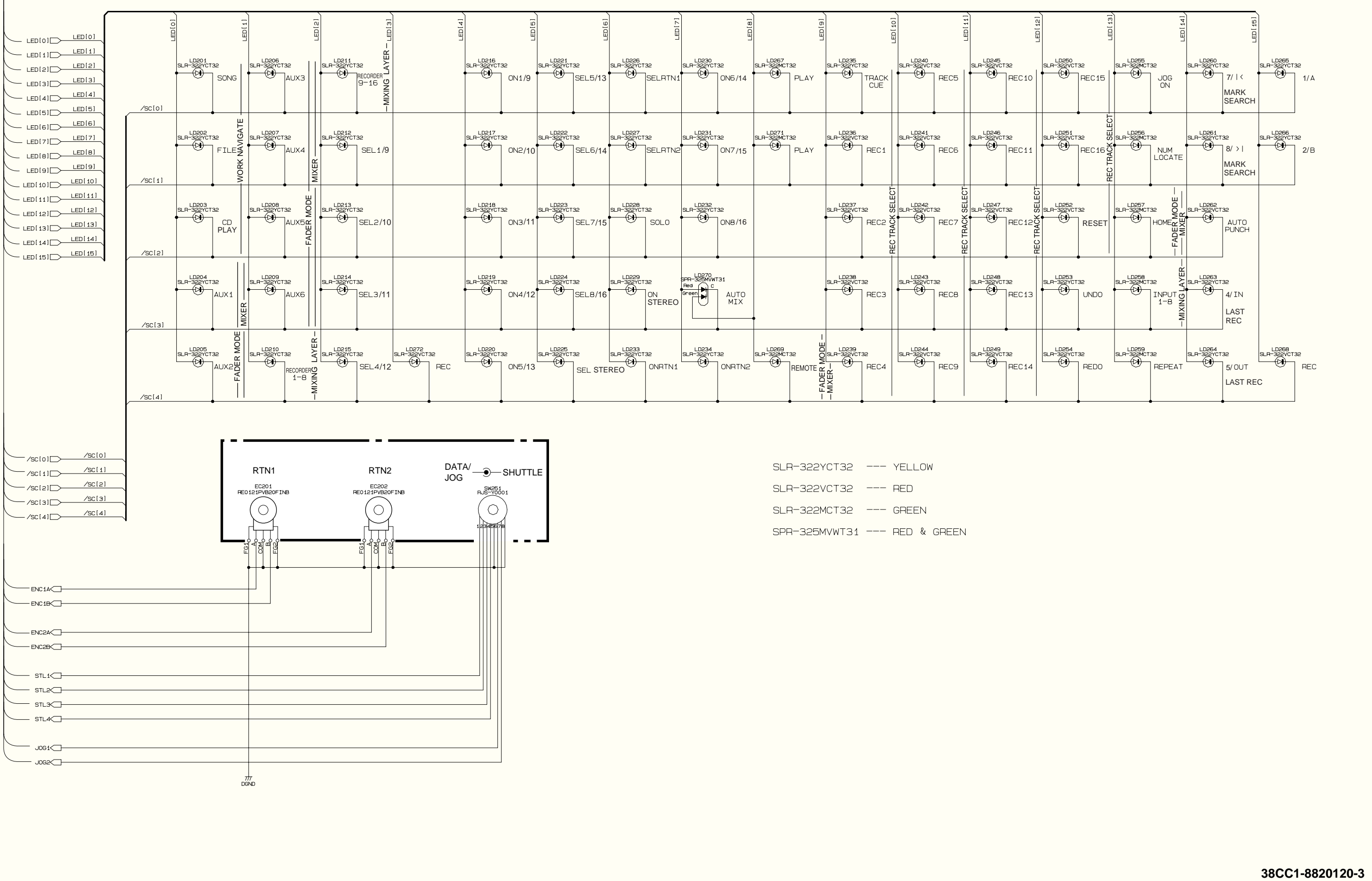
AW2816 OVERALL CIRCUIT DIAGRAM 4/5 (PN, SUB-CPU)

PN (SW)



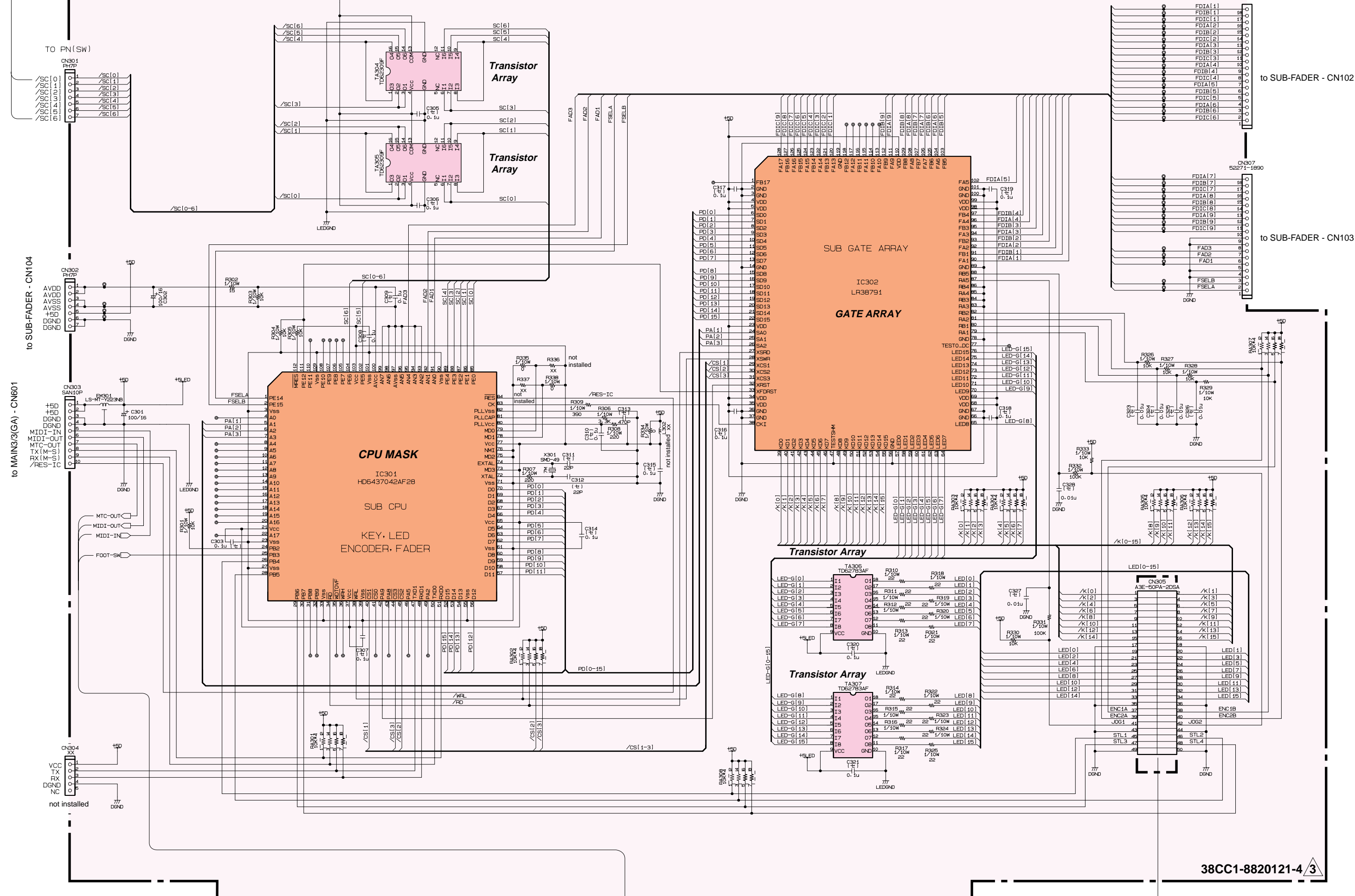
38CC1-8820120-2

(LED)

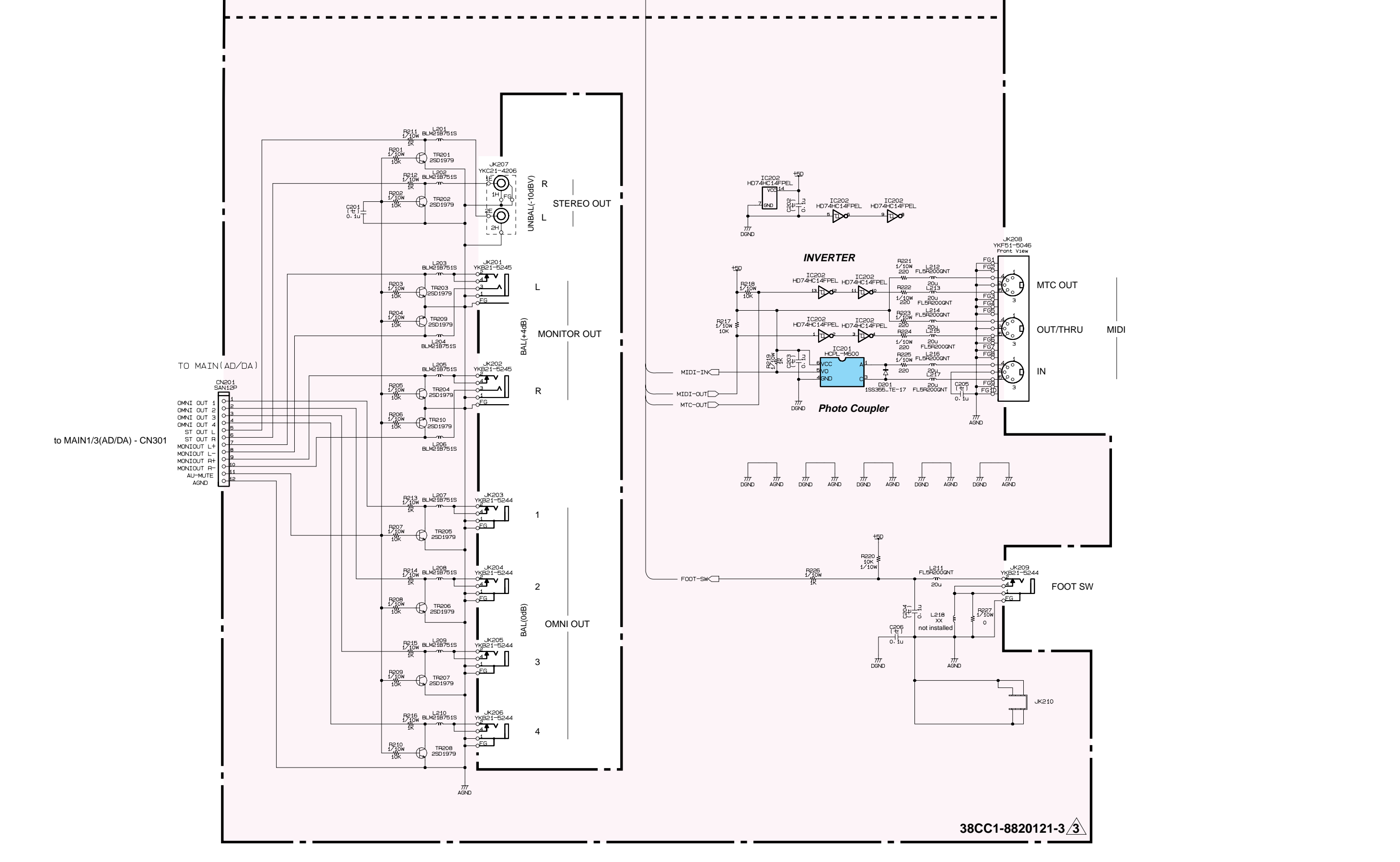


38CC1-8820120-3

SUB-CPU



38CC1-8820121-4

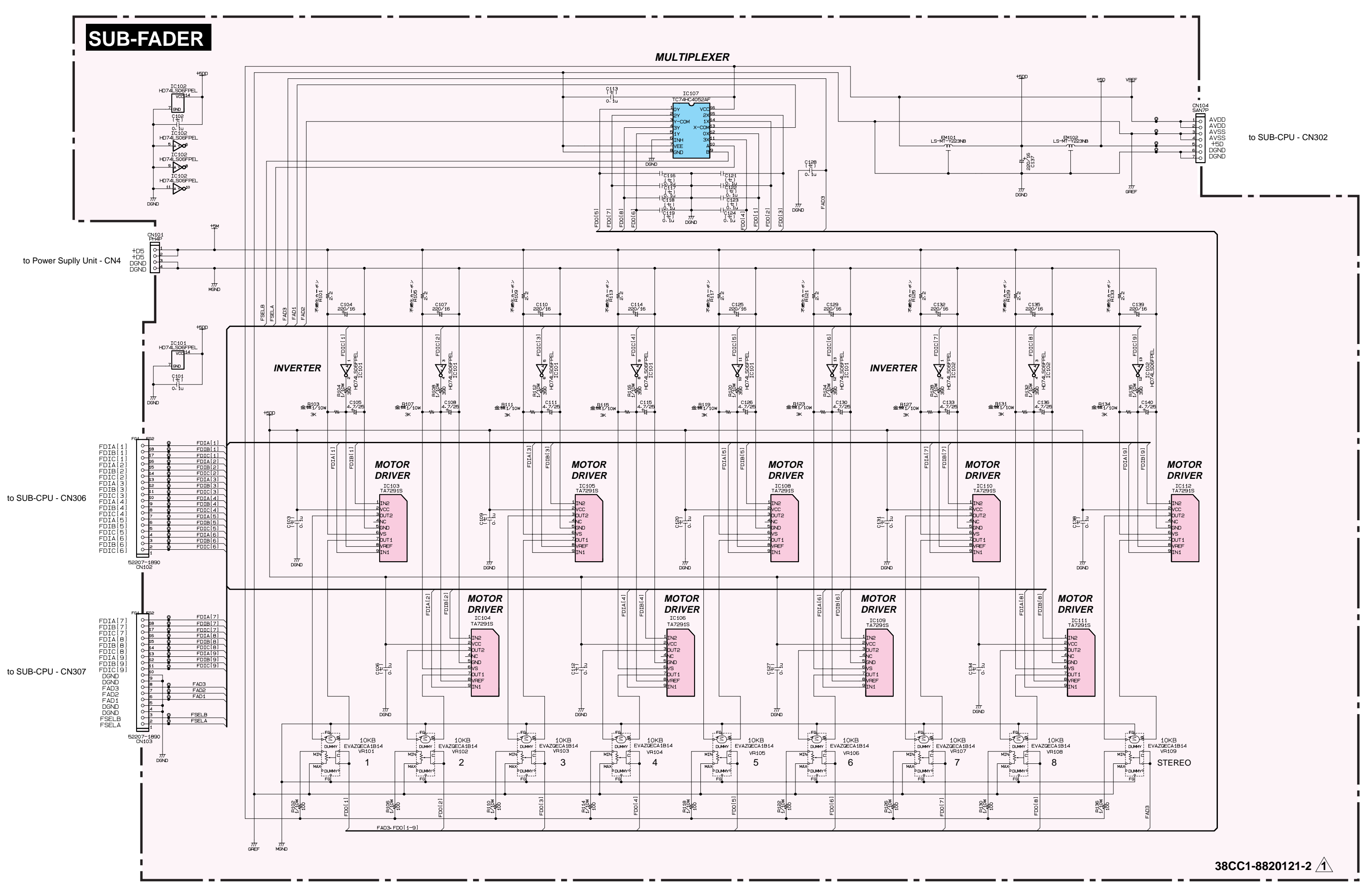


38CC1-8820121-3

(C): Ceramic Capacitor

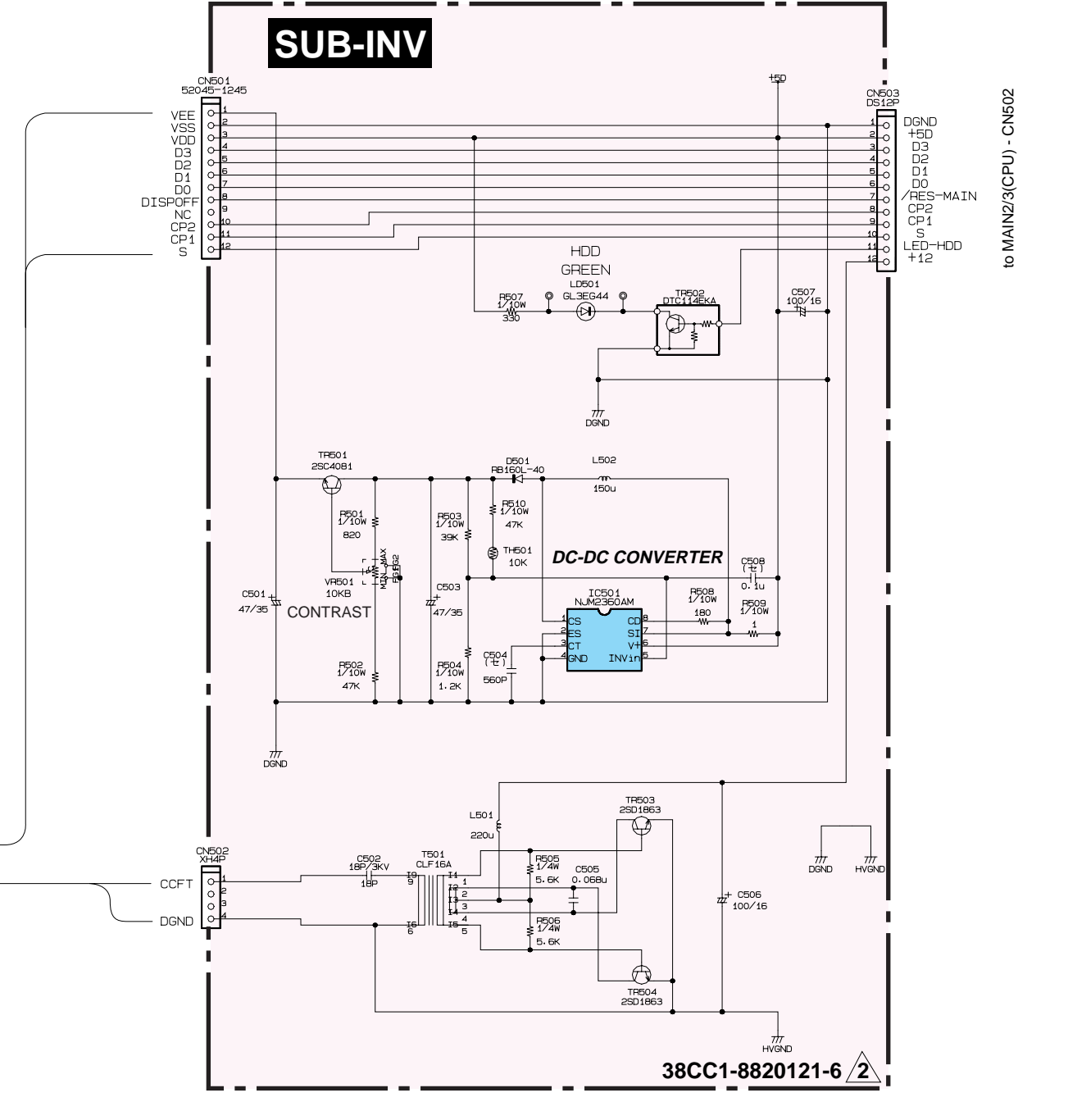
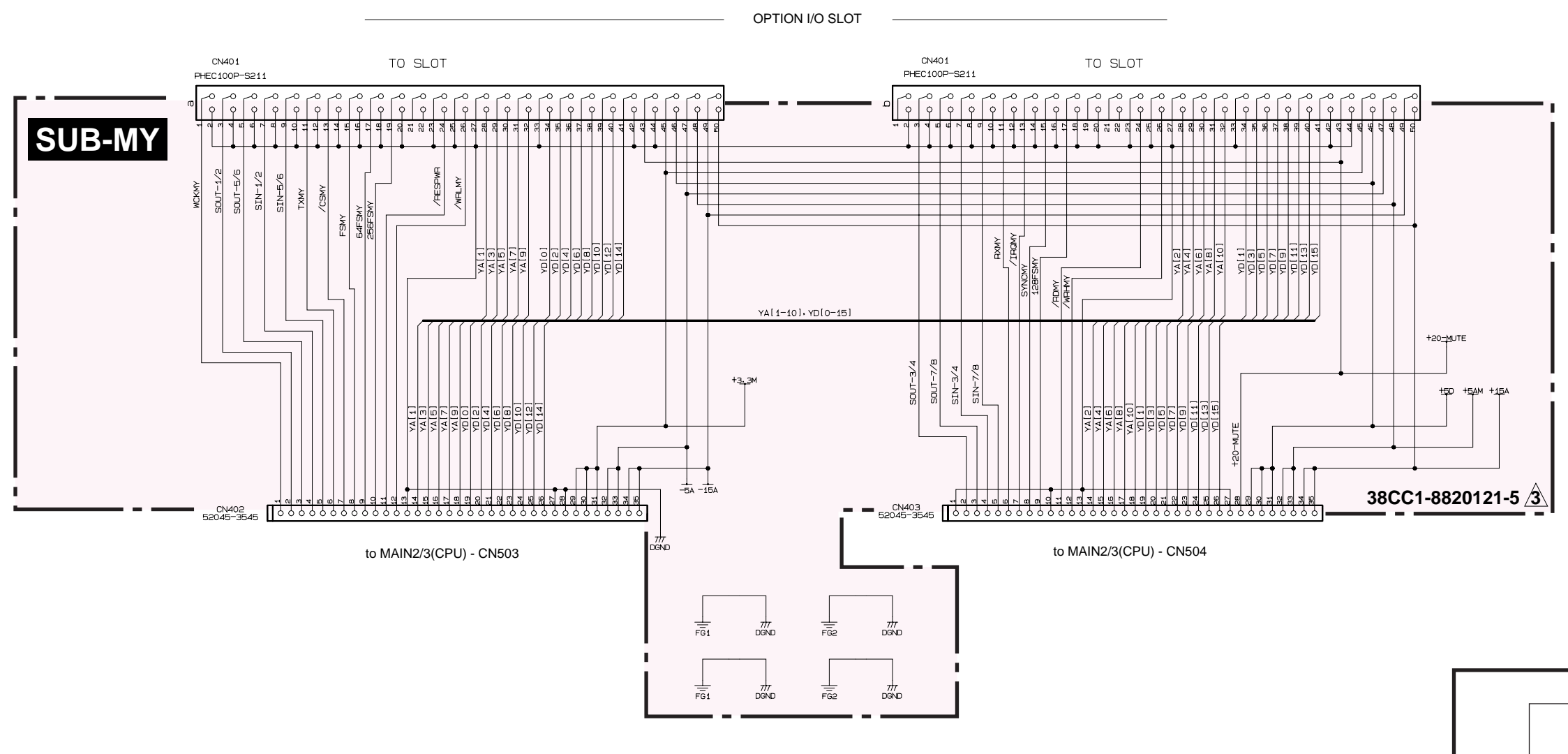
Note: See parts list for details of circuit board component parts

AW2816 OVERALL CIRCUIT DIAGRAM 5/5 (LCD, SUB-FADER, SUB-MY, SUB-INV)

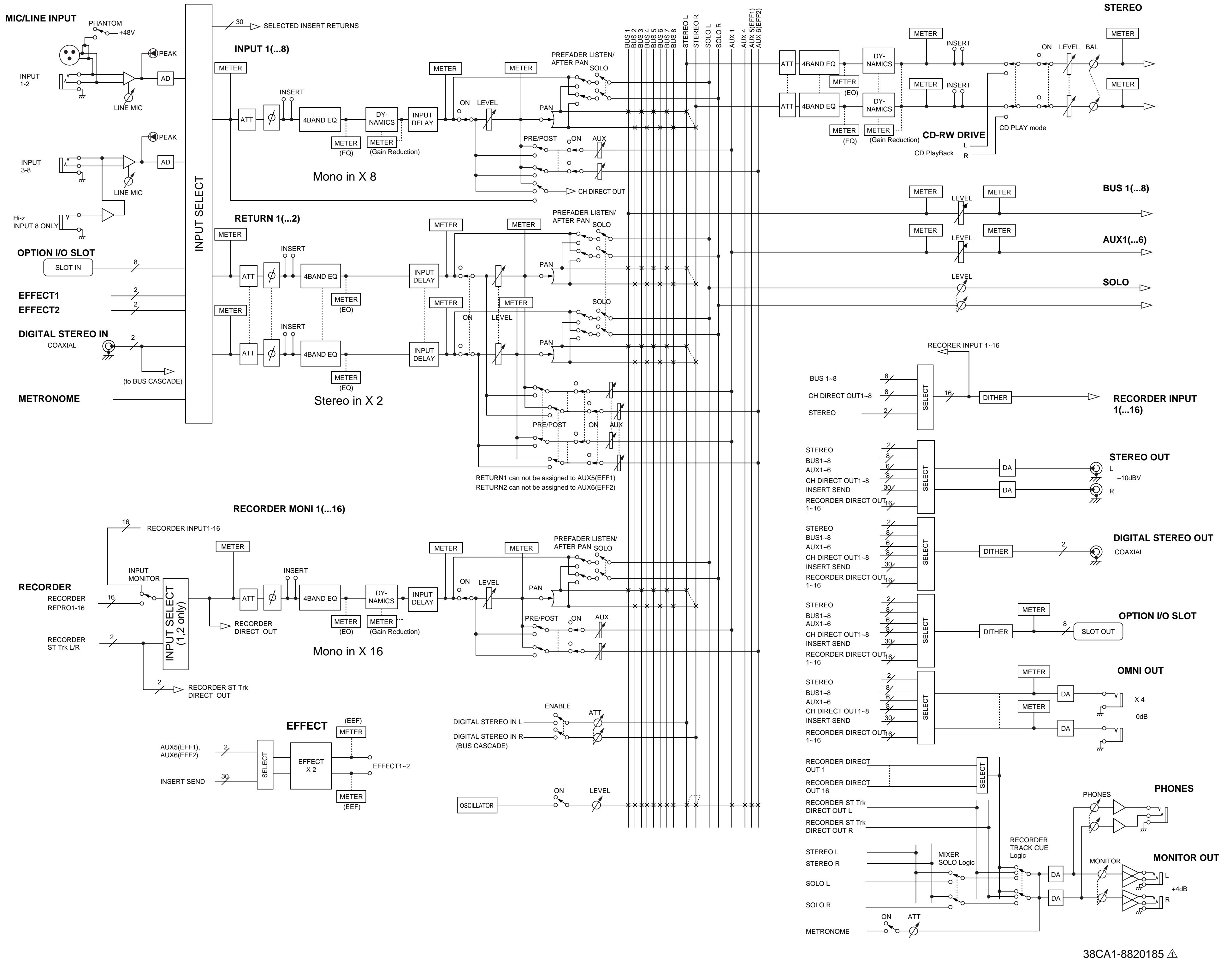


金種 : Metal Film Resistor
 (±) : Ceramic Capacitor
 不燃化カーボン : Flame Proof C.Resistor

Note : See parts list for details of circuit board component parts

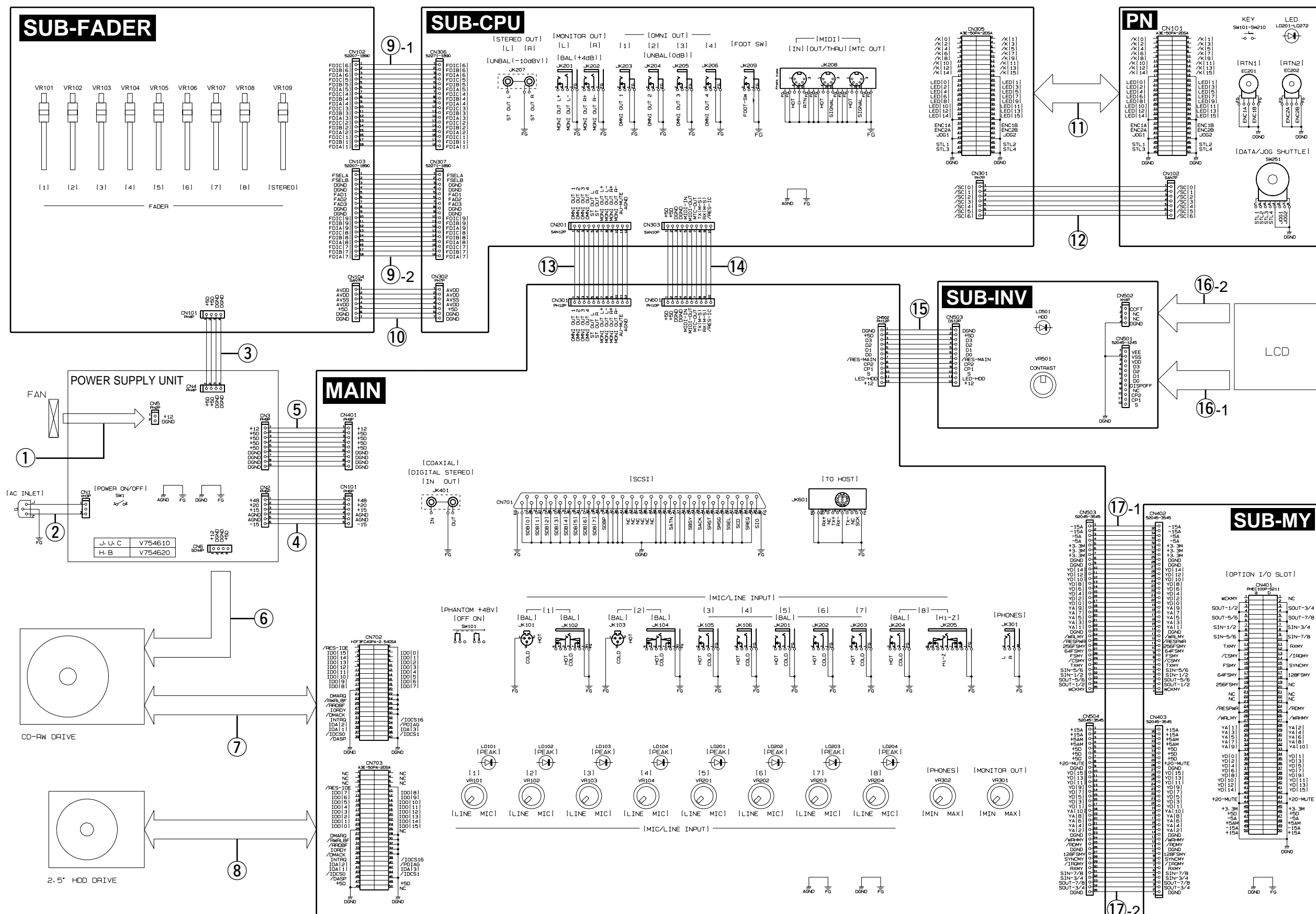


AW2816 SOFTWARE BLOCK DIAGRAM



38CA1-8820185

AW2816 WIRING



38CA2-8820163

Location	Unit Name	Parts List Ref No.	Part No.	Connector Assembly	Destination	Remarks	Availability
①	Bottom Chassis Assembly	50	V6124200		FAN MOTOR	Power Supply Unit-CN5	2P
②	Overall Assembly	50b	VL785200	AC-IN	AC INLET	Power Supply Unit-CN1	3P
③	Overall Assembly	100	(V754640)		SUB-FADER-CN101	Power Supply Unit-CN4	4P-160L
④	Overall Assembly	110	(V754650)		MAIN-CN101	Power Supply Unit-CN2	6P-500L
⑤	Overall Assembly	120	(V754660)		MAIN-CN401	Power Supply Unit-CN3	9P-330L
⑥	Overall Assembly	40	V7546100 V7546200		Power Supply Unit-CN6	CD-RW DRIVE	4P/ U.S.A. Canadian 4P/ North European British
⑦	Overall Assembly	130	V7546700	Flat Cable	MAIN-CN702	CD-RW DRIVE	40P
⑧	Overall Assembly	140	V8009300	HDD Card Cable	MAIN-CN703	2.5" HDD DRIVE	50P-170L
⑨-1	Overall Assembly	80	MFA18180	Card Cable	SUB-FADER-CN102	SUB-CPU-CN306	18P-180L
⑨-2	Overall Assembly	80	MFA18180	Card Cable	SUB-FADER-CN103	SUB-CPU-CN307	18P-180L
⑩	SUB-FADER Circuit Board	CN104	VY914900		SUB-FADER-CN104	SUB-CPU-CN305	7P-180L
⑪	Top Panel Assembly	T120	V7546900	2mm Cable	PN-CN101	SUB-CPU-CN305	50P-380L
⑫	PN Circuit Board	CN102	V7546300		PN-CN102	SUB-CPU-CN301	7P-250L
⑬	SUB-CPU Circuit Board	CN201	VY922600		SUB-CPU-CN201	MAIN-CN301	12P-120L
⑭	SUB-CPU Circuit Board	CN303	VY919300		SUB-CPU-CN303	MAIN-CN601	10P-100L
⑮	SUB-INV Circuit Board	CN503	V7545700		SUB-INV-CN503	MAIN-CN502	12P-380L
⑯-1	Overall Assembly	60	V5605200		LCD	SUB-INV-CN501	12P
⑯-2	Overall Assembly	60	V5605200		LCD	SUB-INV-CN502	4P
⑰-1	Overall Assembly	70	MF135120	Card Cable	MAIN-CN503	SUB-MY-CN402	35P-120L
⑰-2	Overall Assembly	70	MF135120	Card Cable	MAIN-CN504	SUB-MY-CN403	35P-120L